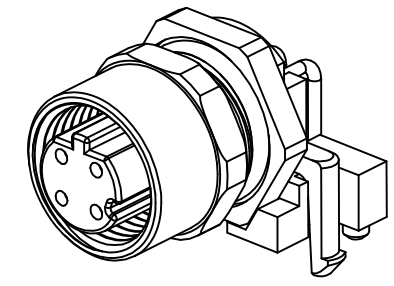
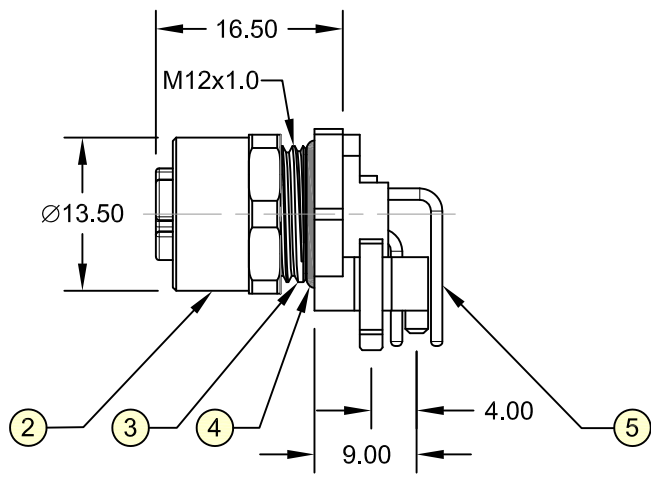
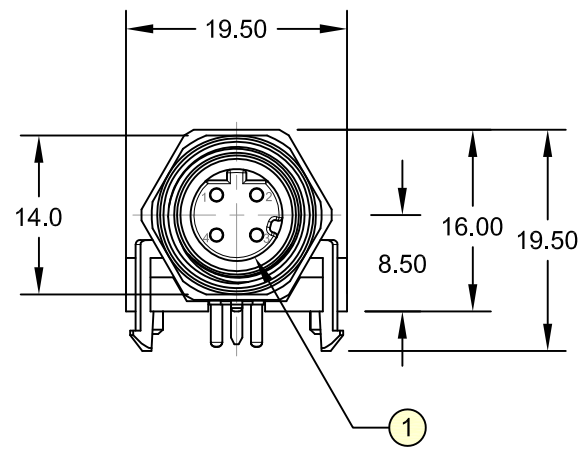


| | | | |
|------|-------------|------------|--------|
| REV. | DESCRIPTION | DATE | DRAWN |
| A | New | 18.11.2019 | Cherry |



Order Code
M12-FD04-THFP-55/00

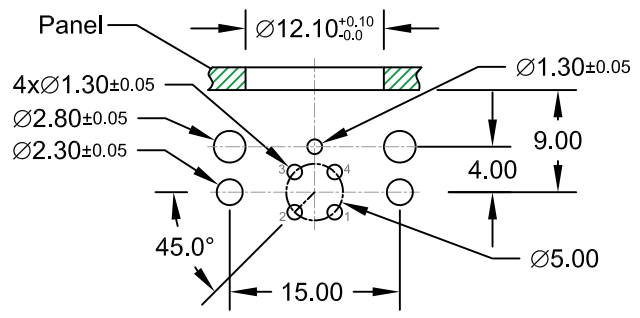
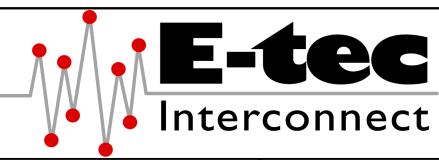
Specifications

Electrical
Current rating: 4A per contact
Insulation resistance: 100MΩ min.
Voltage rating: 250V AC/DC

Mechanical Requirements
Waterproof rate: IP67
Recommended panel thickness: 2.0 to 3.0mm
Operating life: 500 cycles min.

In accordance with IEC 61076-2-101:2012

E-tec 2019 © - all rights reserved



Recommended PCB Layout and Panel Cut-out Size
Top View



| Item | Part Name | Materials / Finish(Color) | Q'TY |
|------|------------|-----------------------------|------|
| 1 | Housing | Thermoplastic / Black | 1 |
| 2 | Hex Nut | Copper Alloy / Ni Plated | 1 |
| 3 | Metal Body | Copper Alloy / Ni Plated | 1 |
| 4 | O-Ring | NBR / Black | 1 |
| 5 | Contact | Phosphor Bronze / Au Plated | 4 |

| | | | | | | | | | | |
|-------|------|-------------------|------------|---------|--------|------|------------|------------|---------------------|-----------|
| UNIT | mm | GENERAL TOLERANCE | | DRAWN | Cherry | DATE | 18.11.2019 | DWG. NO. | M12-FD04-THFP-55/00 | SHEET 1/1 |
| SCALE | Free | X.° ± | X. ± | CHECK | Cheng | DATE | 18.11.2019 | SERIES NO. | M12-FD04-THFP-55/00 | REV. A |
| | | .XX° ± | .XX ± 0.50 | APPROVE | Fagi | DATE | 19.11.2019 | | | |
| | | .XXX° ± | .XXX ± | | | | | | | |

M12 Circular Connector
4-Pin Female D-Coding Type
THT - Panel Front Mount - Right Angle