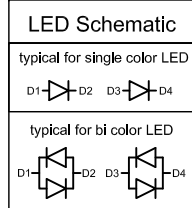
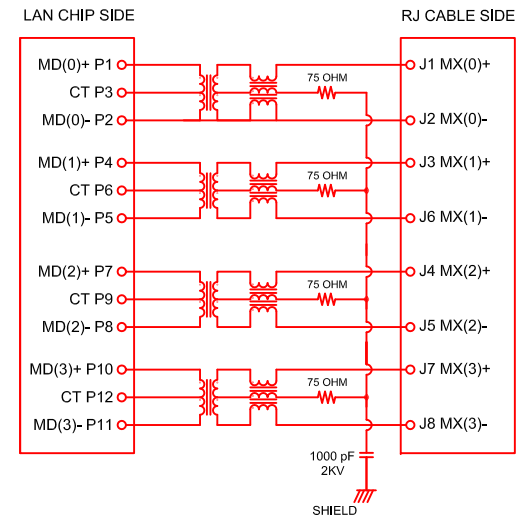


REV.	DESCRIPTION	DATE	DRAWN
A	NEW	31.05.2012	Ronny
B	RoHS update	14.07.2015	Ronny

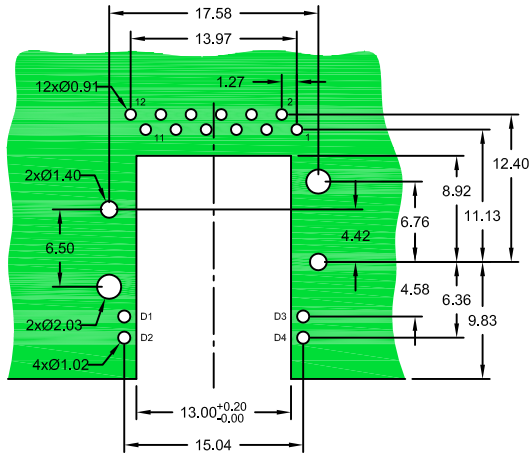


Schematic: "G" Type



ELECTRICAL CHARACTERISTICS

- Test Notes: (25°C ±5°C)
- TR: (100KHz, 0.1V):
 Pins: (P1,P2):(J1,J2)=1:1±3%;(P4,P5):(J3,J6)=1:1±3%
 Pins: (P7,P8):(J4,J5)=1:1±3%;(P10,P11):(J7,J8)=1:1±3%
 - LX: (100KHz, 100mV, 8mA, DC Bias)
 Pins: (P1,P2),(P4,P5),(P7,P8),(P10,P11)=350µH min.
 - DCR:
 Pins: (J1-J2),(J3-J6),(J4,J5):(J7,J8)=1.2Ω max.
 - HIPOT:
 Pins: (P1,P2)to(J1,J2),(P4,P5)to(J3,J6)=1500V AC for 60 Sec.
 or 2250V DC for 60 Sec.
 Pins: (P7,P8)to(J4,J5),(P10,P11)to(J7,J8)=1500V AC for 60 Sec.
 or 2250V DC for 60 Sec.
 - INSERTION LOSS:
 -1.0dB max. at 1MHz to 100MHz
 -3.0dB max. at 100MHz to 300MHz
 - RETURN LOSS
 -18dB min. at 1MHz to 30MHz; -16dB min. at 30MHz to 60MHz;
 -10dB min. at 60MHz to 80MHz; -5dB min. at 80MHz to 500MHz;
 - CROSS TALK:
 -30dB min. at 1MHz to 100MHz
 -20dB min. at 100MHz to 500MHz
 - COMMON TO DIFFERENTIAL MODE REJECTION:
 -30dB min. at 1MHz to 200MHz
 -20dB min. at 200MHz to 500MHz
 - COMMON TO COMMON MODE REJECTION:
 -30dB min. at 1MHz to 200MHz
 -20dB min. at 200MHz to 500MHz



Recommended PCB Hole Layout
Top View

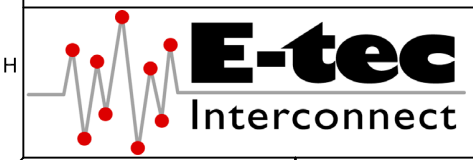
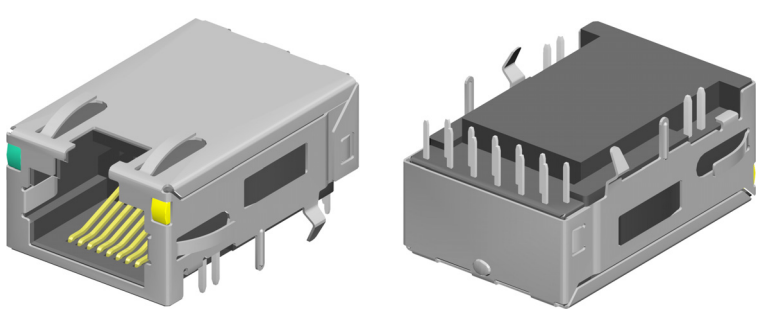
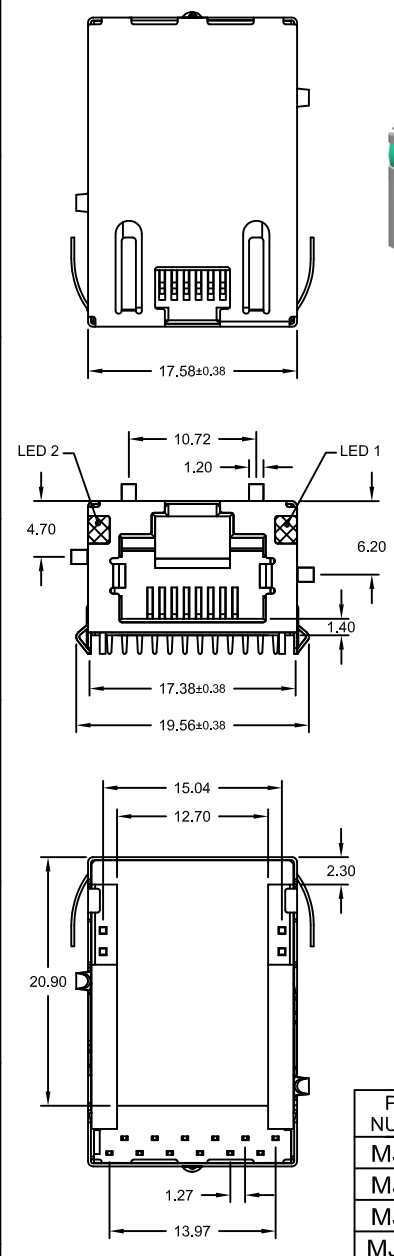


NOTE

- HOUSING: LCP UL 94V-0 (black)
- CONTACT: Selective Gold Plating
- TERMINAL: 0.25t; Copper Alloy
Plated: with Au, and Sn in solder area
- OPERATING LIFE: 750 Cycles min.
- TEMPERATURE RANGE: 0°C ~ 70°C

LED Color Options	LED Color Options	
	LED 1	LED 2
0	NO LED	NO LED
1	GREEN	YELLOW
2	GREEN	NO LED
3	NO LED	GREEN
4	YELLOW	GREEN
5	GREEN	GREEN
6	YELLOW	YELLOW
7	ORANGE/GREEN	ORANGE/GREEN
8	YELLOW/GREEN	YELLOW/GREEN
9	NO LED	RED
A	GREEN/YELLOW	GREEN/YELLOW
B	RED/GREEN	RED/GREEN
C	GREEN/YELLOW	RED/GREEN
D	GREEN/YELLOW	GREEN
E	GREEN/YELLOW	YELLOW

PART NUMBER	GOLD PLATING CONTACT AREA
MJS-112-FT0LG-96ZxCB	6µ"
MJS-112-FT0LG-97ZxCB	15µ"
MJS-112-FT0LG-98ZxCB	30µ"
MJS-112-FT0LG-9HZxCB	50µ"



UNIT	GENERAL TOLERANCE		DRAWN	DATE	DWG. NO.	SHEET 1/1
mm	X.° ±	X. ±	Ronny	31.05.2012	1342515	REV. B
SCALE	X.° ±	.X ±	CHECK	DATE	SERIES NO.	
Free	.XX° ±	.XX ± 0.15	Hogi	14.07.2015	MJS-112-FT0LG-9xZxCB	
	.XXX° ±	.XXX ±	APPROVE	DATE		
			Hogi	14.07.2015		

RJ45 PCB JACK <12P8C>
"G" TYPE 10GBit
 side entry-Embedded Design with LED
 fully shielded with Ground Latches