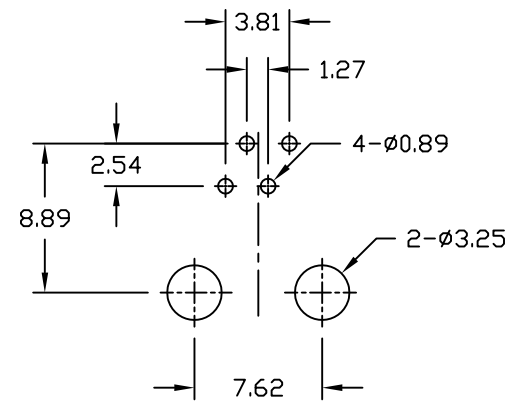
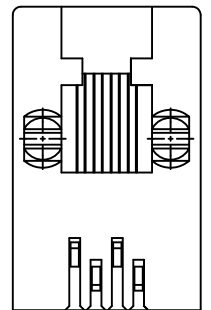
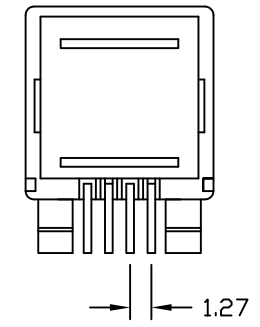
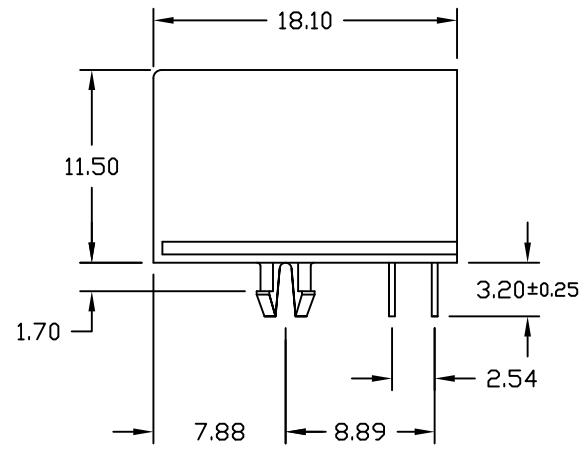
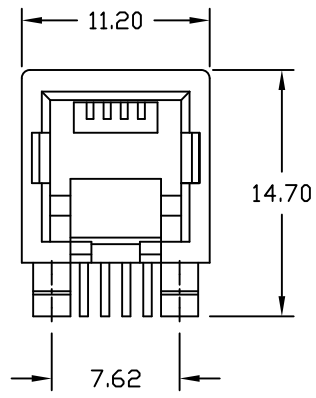


REV.	LOCAS.	DESCRIPTION	DATE	DRAWN
A		New	06.02.2009	RH
B		add Electric, Spec.	24.06.2009	Ronny
C		update description	03.02.2011	Ronny
D		New DWG. No.	01.02.2012	Ronny



PCB Layout/Top View



NOTE :

- ELECTRICAL:
 INSULATION RESISTANCE: 500MΩ min.
 CONTACT RESISTANCE: 30mΩ max.
 WITHSTANDING VOLTAGE: 1000V AC 1MINUTE
 CURRENT RATING: 1.5 A
- MATERIAL:
 HOUSING-PBT POLYESTER UL94V-0
 STANDARD COLOR-BLACK.
 INSERT-PBT POLYESTER UL94V-0
 STANDARD COLOR-BLACK
 CONTACT-0.35mm THICKNESS PhBz
 GOLD OVER Ni IN CONTACT AREA
 TIN OVER Ni IN SOLDER AREA
- CAVITY CONFIRMS TO FCC RULES AND
 REGISTRATION PAR68, SUBPARTS F

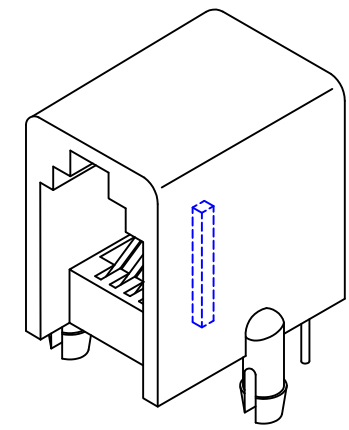
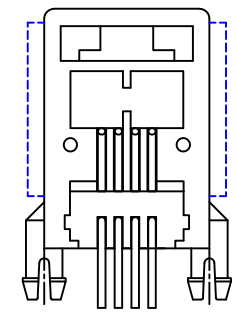
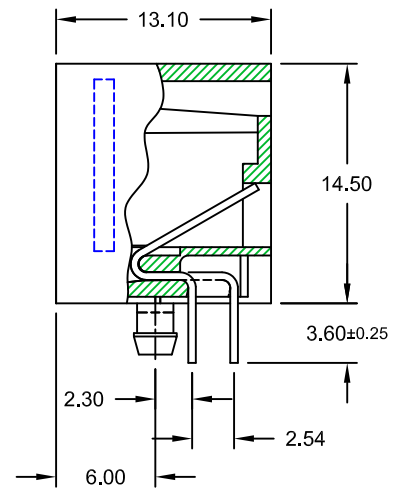
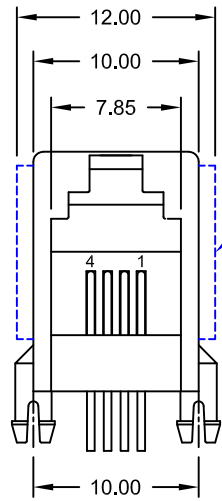
PART NUMBER	GOLD PLATING CONTACT AREA
MJS-144-S1M0-96	6μ"
MJS-144-S1M0-97	15μ"
MJS-144-S1M0-98	30μ"
MJS-144-S1M0-9H	50μ"



UNIT	mm	GENERAL TOLERANCE		DRAWN	Chung	DATE	11.11.1992	DWG. NO.	SHEET 1/1	
SCALE	Free	X° ±	X ± 0.50	CHECK	Jerry	DATE	01.02.2012	1311102	REV. D	
		.XX° ±	.XX ± 0.25	APPROVE	Hogi	DATE	01.02.2012	SERIES NO.	MJS-144-S1M0-xx	
		ANG. ± 3°	.XXX ± 0.10							

RJ9 PCB Jack <4P4C>
 side entry NON shielded
 without panel stop

REV.	DESCRIPTION	DATE	DRAWN
A	New	05.03.2009	Ronny
B	P/N updater: -R155- -> -S4Sx0-	08.01.2013	Ronny
C	update	08.04.2015	Ronny



Specifications

Electrical

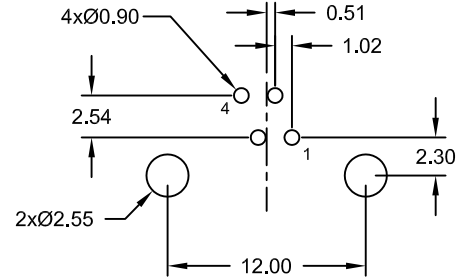
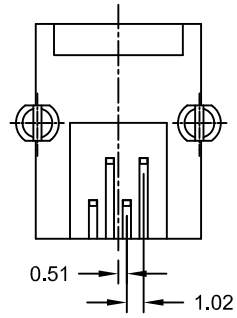
Current rating: 1.5A
 Insulation resistance: 500MΩ min. / 500V DC
 Voltage rating: 125V AC max.
 Withstanding voltage: 1000V rms 60Hz / Minute
 Contact resistance: 30mΩ max. / 20mV DC

Material

Stamped pin 0.35 x 0.42mm Phosphor Bronze
 Plating: Gold over Nickel on contact area,
 Tin over Nickel on solder area.
 Insulator: PBT UL 94V-0 (Black *standard*)

Operating temperature: -40°C to +70°C

Durability: 750 cycles min.
 Cavity comply with FCC Rules and Regulations Part 68, Subpart F



Recommended PCB Layout
(Top View)

add "G" if gray color housing

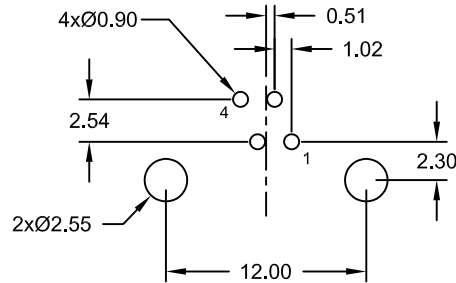
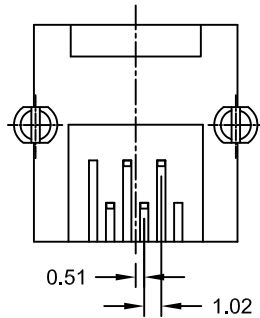
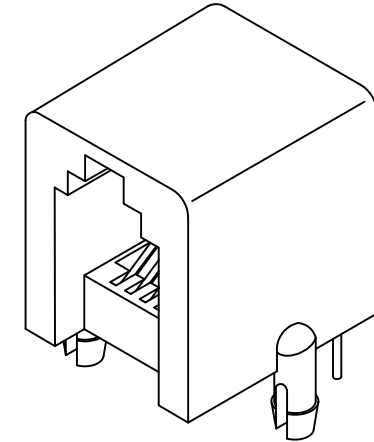
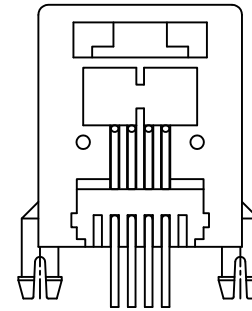
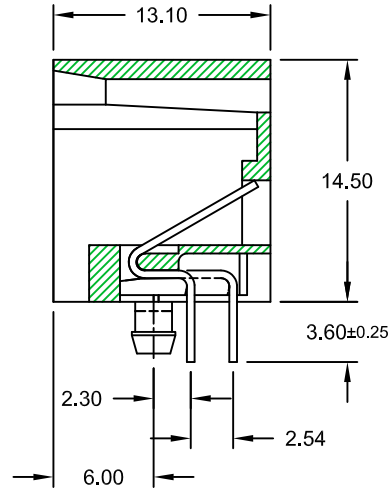
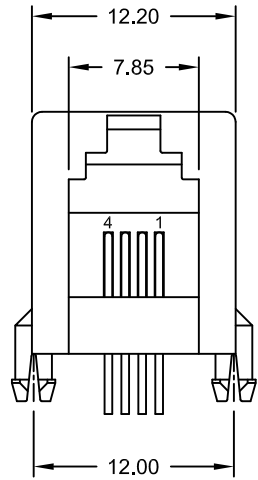
PART NUMBER <i>WITH PANEL STOP</i>	PART NUMBER <i>WITHOUT PANEL STOP</i>	GOLD PLATING CONTACT AREA
MJS-144-S4S30-96	MJS-144-S4S0-96	6μ"
MJS-144-S4S30-97	MJS-144-S4S0-97	15μ"
MJS-144-S4S30-98	MJS-144-S4S0-98	30μ"
MJS-144-S4S30-9H	MJS-144-S4S0-9H	50μ"



UNIT mm	GENERAL TOLERANCE		DRAWN Ronny	DATE 05.03.2009	DWG. NO. 1311103	SHEET 1/1
	SCALE Free	X.° ±	X. ±	CHECK Ronny	DATE 08.04.2015	REV. C
		.XX° ±	.XX ± 0.15	APPROVE Hogi	DATE 08.04.2015	SERIES NO. MJS-144-S4Sx0-9x/X
		XXX. ±	.XXX ±			

THT Side Entry PCB Jack
 RJ9 <4P4C> short profile
with & without Panel Stop NON shielded
 10.00mm housing Type

REV.	DESCRIPTION	DATE	DRAWN
A	NEW	07.04.2015	Ronny



Recommended PCB Layout
(Top View)



Specifications

Electrical

Current rating: 1.5A
 Insulation resistance: 500MΩ min. / 500V DC
 Voltage rating: 125V AC max.
 Withstanding voltage: 1000V rms 60Hz / Minute
 Contact resistance: 30mΩ max. / 20mV DC

Material

Stamped pin 0.35 x 0.42mm Phosphor Bronze
 Plating: Gold over Nickel on contact area,
 Tin over Nickel on solder area.
 Insulator: PBT UL 94V-0 (Black)

Operating temperature: -40°C to +70°C

Durability: 750 cycles min.
 Cavity comply with FCC Rules and Regulations Part 68, Subpart F

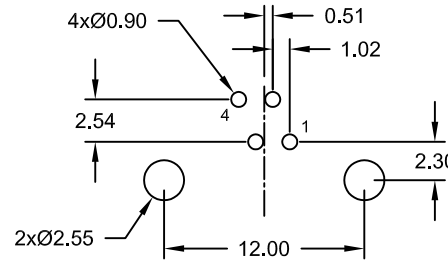
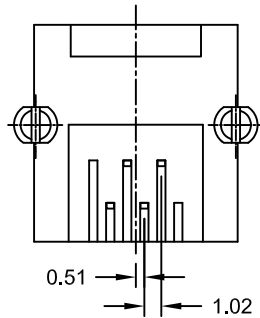
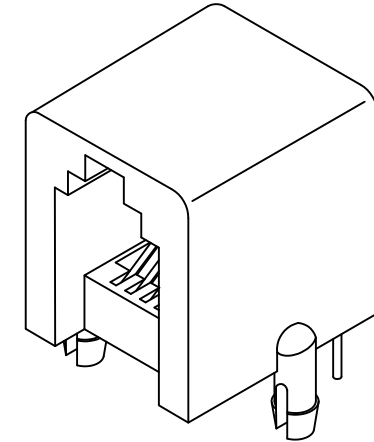
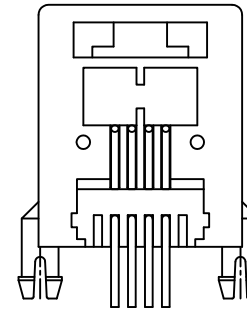
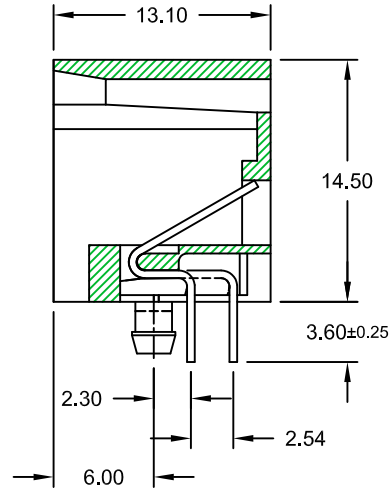
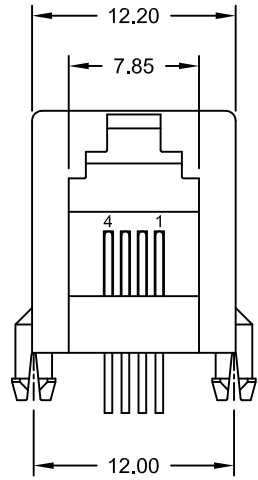
PART NUMBER	GOLD PLATING CONTACT AREA
MJS-144-S4S1-96	6μ"
MJS-144-S4S1-97	15μ"
MJS-144-S4S1-98	30μ"
MJS-144-S4S1-9H	50μ"



UNIT mm	GENERAL TOLERANCE		DRAWN Ronny	DATE 07.04.2015	DWG. NO. 1311104	SHEET 1/1
	X.° ±	X. ±				
	SCALE Free	.X° ±	.X ±	CHECK Oliver	DATE 07.04.2015	REV. A
		.XX° ±	.XX ± 0.15	APPROVE Hogi	DATE 07.04.2015	SERIES NO. MJS-144-S4S1-9x
	ANG ±	.XXX ±				

THT Side Entry PCB Jack
 RJ9 <4P4C> short profile
without Panel Stop NON shielded
 12.20mm housing Type **Black Colour**

REV.	DESCRIPTION	DATE	DRAWN
A	NEW	07.04.2015	Ronny



Recommended PCB Layout
(Top View)



Specifications

Electrical

Current rating: 1.5A
 Insulation resistance: 500MΩ min. / 500V DC
 Voltage rating: 125V AC max.
 Withstanding voltage: 1000V rms 60Hz / Minute
 Contact resistance: 30mΩ max. / 20mV DC

Material

Stamped pin 0.35 x 0.42mm Phosphor Bronze
 Plating: Gold over Nickel on contact area,
 Tin over Nickel on solder area.
 Insulator: PBT UL 94V-0 (Gray)

Operating temperature: -40°C to +70°C

Durability: 750 cycles min.

Cavity comply with FCC Rules and Regulations Part 68, Subpart F

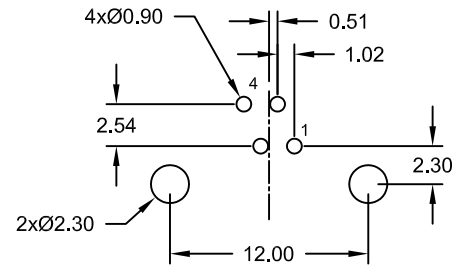
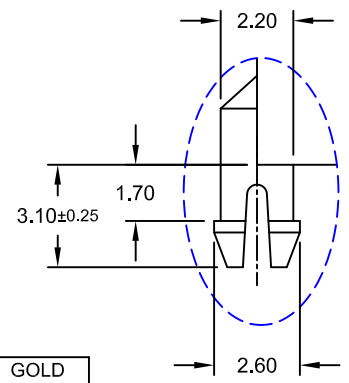
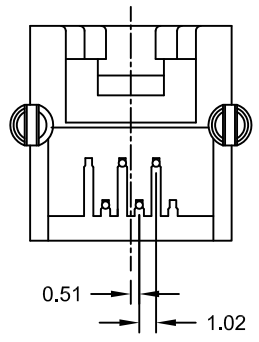
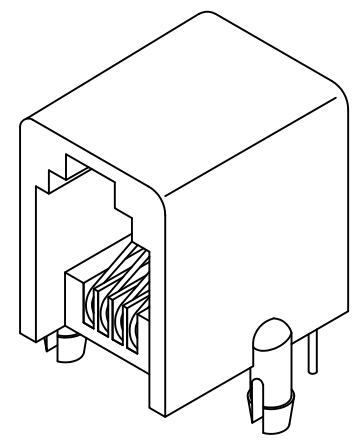
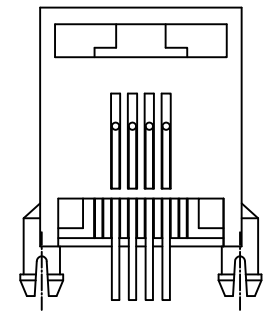
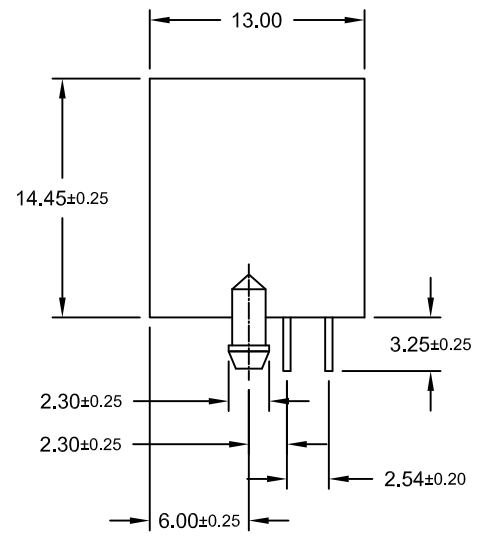
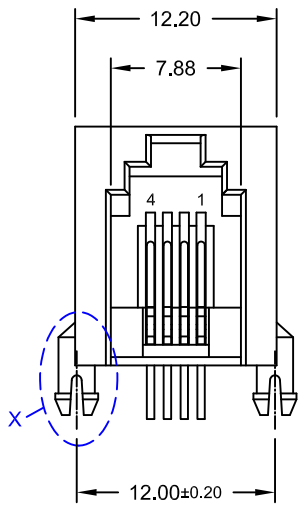
PART NUMBER	GOLD PLATING CONTACT AREA
MJS-144-S4S1-96/G	6μ"
MJS-144-S4S1-97/G	15μ"
MJS-144-S4S1-98/G	30μ"
MJS-144-S4S1-9H/G	50μ"

UNIT	GENERAL TOLERANCE		DRAWN	DATE	DWG. NO.	SHEET 1/1
mm	X.° ±	X. ±	Ronny	07.04.2015	1311105	REV. A
SCALE Free	.X° ±	.X ±	CHECK Oliver	07.04.2015		
	.XX° ±	.XX ± 0.15	APPROVE Hogi	DATE 07.04.2015	SERIES NO.	
	ANG ±	.XXX ±			MJS-144-S4S1-9x	

THT Side Entry PCB Jack
 RJ9 <4P4C> short profile
without Panel Stop NON shielded
 12.20mm housing Type **Gray** Colour



REV.	DESCRIPTION	DATE	DRAWN
A	New	09.04.2015	Ronny



Recommended PCB Layout
(Top View)

Specifications

Electrical

- Current rating: 1.5A
- Insulation resistance: 500MΩ min. / 500V DC
- Voltage rating: 125V AC max.
- Withstanding voltage: 1000V rms 60Hz / Minute
- Contact resistance: 30mΩ max. / 20mV DC

Material

- round pin Ø 0.45mm Phosphor Bronze
- Plating: Gold over Nickel
- Insulator: PBT UL 94V-0 (Gray)

Operating temperature: -40°C to +70°C

Durability: 750 cycles min.

Cavity comply with FCC Rules and Regulations Part 68, Subpart F

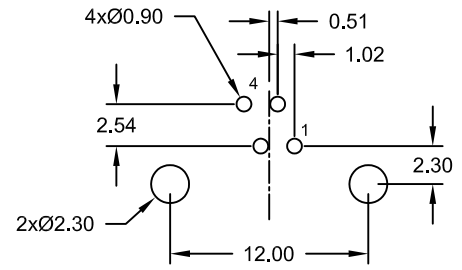
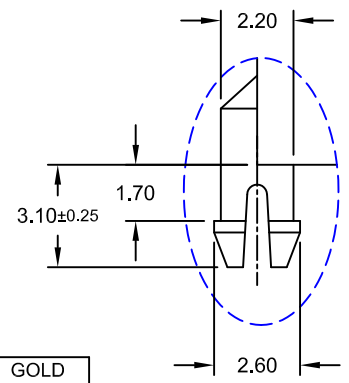
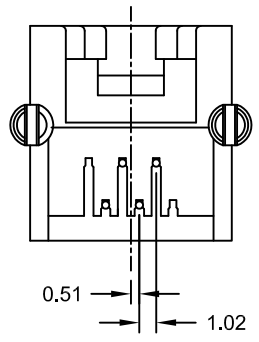
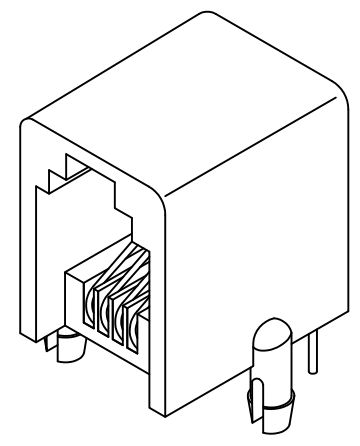
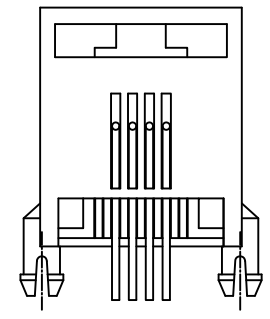
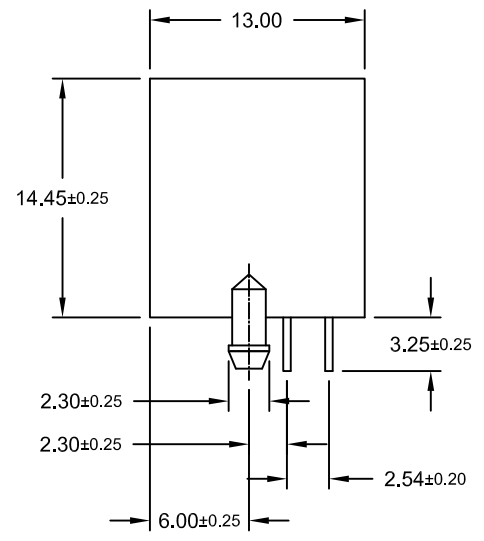
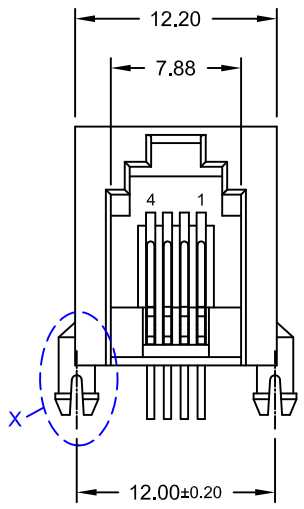
PART NUMBER	GOLD PLATING
MJS-144-S3S0-55/G	3µ"



UNIT mm	GENERAL TOLERANCE		DRAWN Ronny	DATE 09.04.2015	DWG. NO. 1311106	SHEET 1/1	
	SCALE Free	X.° ±	X. ±	CHECK Oliver	DATE 09.04.2015	REV. A	
		.XX° ±	.XX ± 0.13	APPROVE Hogi	DATE 09.04.2015	SERIES NO. MJS-144-S3S0-5x/X	
		XXX. ±	.XXX ±				

THT Side Entry PCB Jack
 RJ9 <4P4C> short profile
without Panel Stop NON shielded
 12.20mm housing Type **Gray** Colour

REV.	DESCRIPTION	DATE	DRAWN
A	New	13.04.2015	Ronny



Recommended PCB Layout
(Top View)

Specifications

Electrical

- Current rating: 1.5A
- Insulation resistance: 500MΩ min. / 500V DC
- Voltage rating: 125V AC max.
- Withstanding voltage: 1000V rms 60Hz / Minute
- Contact resistance: 30mΩ max. / 20mV DC

Material

- round pin Ø 0.45mm Phosphor Bronze
- Plating: Gold over Nickel
- Insulator: PBT UL 94V-0 (Black)

Operating temperature: -40°C to +70°C

Durability: 750 cycles min.

Cavity comply with FCC Rules and Regulations Part 68, Subpart F

PART NUMBER	GOLD PLATING
MJS-144-S3S0-55	3µ"

Detail X



UNIT	GENERAL TOLERANCE		DRAWN	DATE	DWG. NO.	SHEET 1/1
mm	X.° ±	X. ±	Ronny	13.04.2015	1311107	REV. A
SCALE	.X° ±	.X ±	Oliver	13.04.2015	SERIES NO.	
	.XX° ±	.XX ± 0.13	Hogi	13.04.2015	MJS-144-S3S0-5x	
	XXX. ±	.XXX ±				

THT Side Entry PCB Jack
 RJ9 <4P4C> short profile
without Panel Stop NON shielded
 12.20mm housing Type **Black** Colour