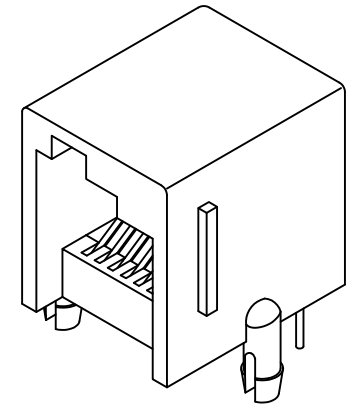
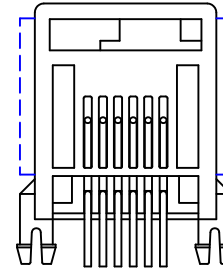
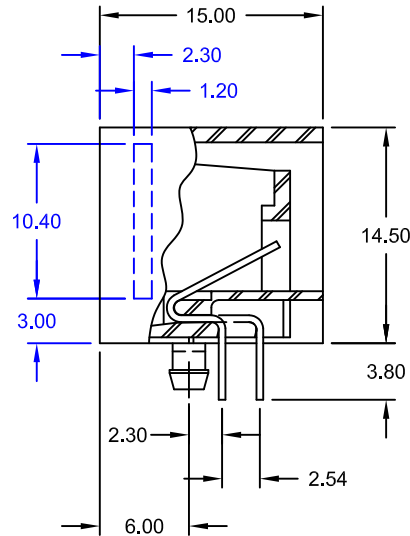
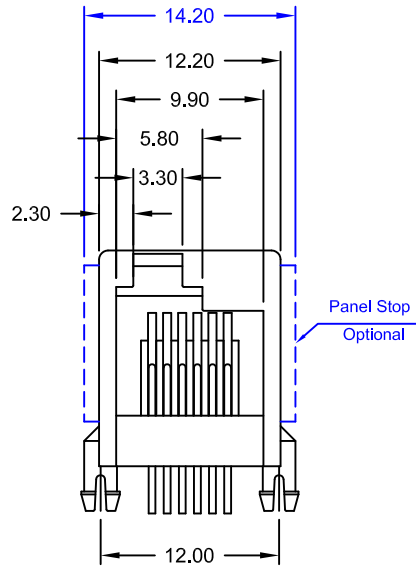


REV.	DESCRIPTION	DATE	DRAWN
0	NEW	11.05.2002	RH
A	RoHS	01.11.2005	Ronny
B	PN update: -R1EL- -> -SA4Sx-	06.07.2012	Ronny
C	add Specification & update	27.02.2015	Ronny



### Specifications

#### Electrical

Current rating: 1.5A  
 Insulation resistance: 500MΩ min.  
 Withstanding voltage: 1000V AC  
 Contact resistance: 30mΩ max.

#### Material

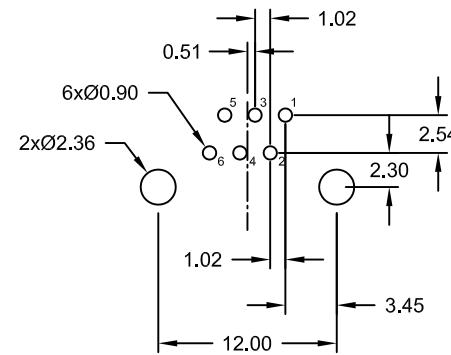
Contact: Phosphor Bronze  
 Plating: Au over Ni  
 Insulator: PBT (black) UL 94V-0

Operating temperature: -0°C to +70°C

Cavity comply with FCC Rules and Regulations Part 68, Subpart F

#### Packing

Tray



Recommended PCB Layout Top View  
(Tolerance ±0.05)

PART NUMBER <i>WITH PANEL STOP</i>	PART NUMBER <i>WITHOUT PANEL STOP</i>	GOLD PLATING
MJS-166-SA4S3-55	MJS-166-SA4S-55	3μ"
MJS-166-SA4S3-66	MJS-166-SA4S-66	6μ"
MJS-166-SA4S3-77	MJS-166-SA4S-77	15μ"
MJS-166-SA4S3-88	MJS-166-SA4S-88	30μ"
MJS-166-SA4S3-HH	MJS-166-SA4S-HH	50μ"



UNIT mm	GENERAL TOLERANCE		DRAWN RH	DATE 11.05.2002	DWG. NO. 1311303	SHEET 1/1
	X.° ±	X. ±				REV. C
SCALE Free	.X° ±	.X ±	CHECK Ronny	DATE 27.02.2015	SERIES NO. MJS-166-SA4Sx-xx	
	.XX° ±	.XX ± 0.20				
	.XXX° ±	.XXX ±	APPROVE Hogi	DATE 27.02.2015		

**"LEFT CENTER TYPE" PCB JACK**  
 RJ12 <6P6C> short profile  
*with & without Panel Stop*