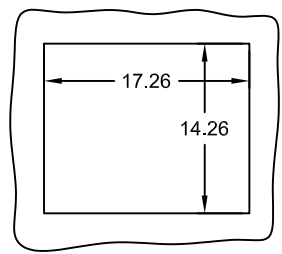
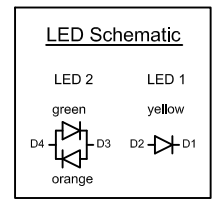
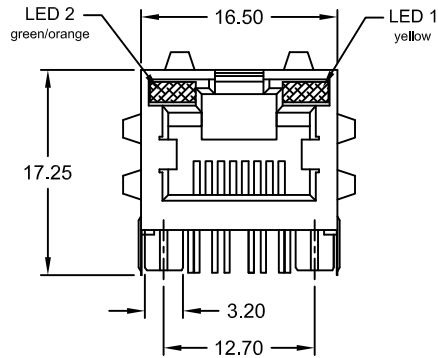
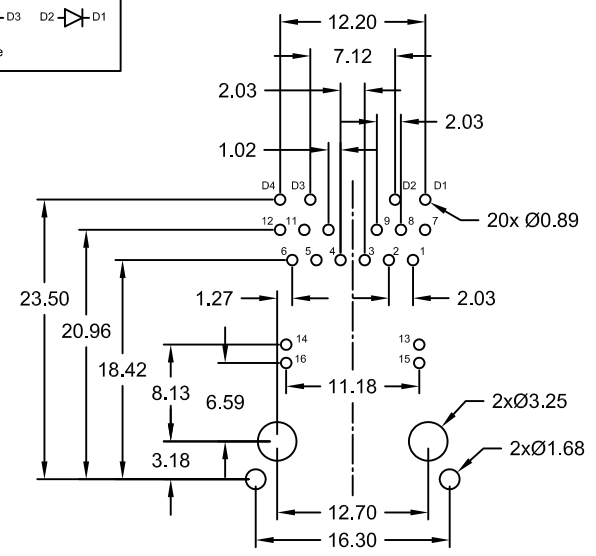
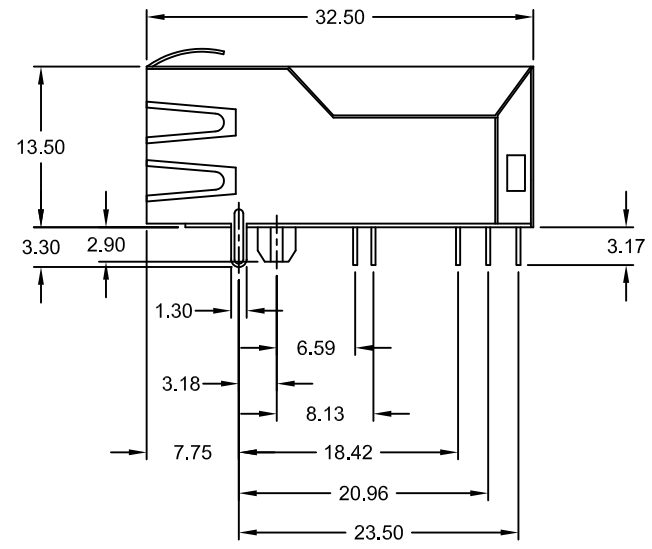


REV.	DESCRIPTION	DATE	DRAWN
A	NEW	10.04.2015	Ronny
B	correct schematic MD(2)-P1 -> MD(2)-P2	19.05.2015	Ronny



Recommended Panel Cutout

PART NUMBER	GOLD PLATING CONTACT AREA
MJS-168-MGGLZ-96/SNCS	6μ"



Recommended PCB Hole Layout Top View
(Tolerance: ±0.08)



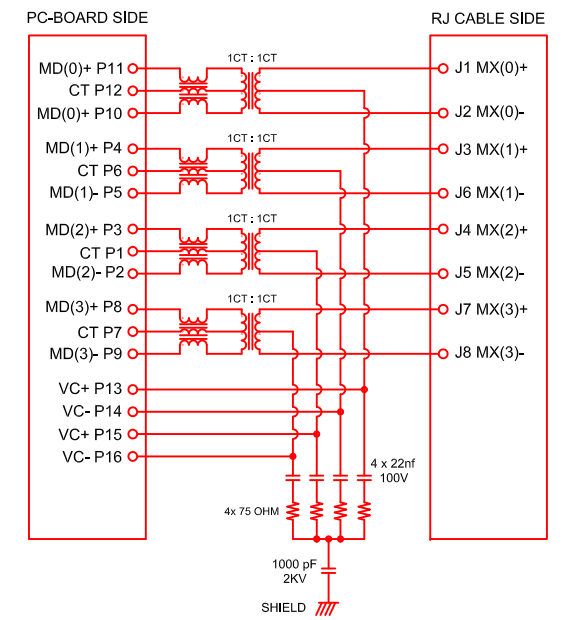
SPECIFICATION

Materials
 Insulator: PBT (black) UL 94V-0
 Contact: Phosphor Bronze t=0.35mm plated with Au flash over Ni
 Shield: Copper Alloy; Ni plated

Operating Life: 750 Cycles min.
 Temperature range: -40°C to +85°C

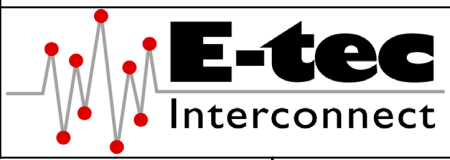
Cavity conform to FCC rules and Regulations Part 68, Subpart F

Schematic: "Z" Type



ELECTRICAL CHARACTERISTICS

- Test Notes: (25°C ±5°C)
1. TR: = Input to Output 1:1 ±3%
 2. LX: 350μH min. (100KHz 100mV rms 8mA DC Bias)
 3. DCR: every JR pair = 1.2Ω max.
 4. HIPOT: Input to Output Pin: 1500V AC/60 sec.
 5. INSERTION LOSS:
 - 0.8dB max. @ 1.0MHz to 65MHz
 - 1.0dB max. @ 65MHz to 100MHz
 - 1.2dB max. @ 100MHz to 125MHz
 6. RETURN LOSS:
 - 18dB max. @ 0.5MHz to 40MHz
 - 12dB max. @ 40MHz to 100MHz
 7. CROSS TALK:
 - 35dB max. @ 100KHz to 100MHz
 8. COMMON TO COMMON MODE REJECTION:
 - 30dB max. @ 100KHz to 100MHz



UNIT	SCALE	GENERAL TOLERANCE	DRAWN	DATE	DWG. NO.	SHEET 1/1
mm	Free	X.° ± X. ±	Ronny	10.04.2015	1342503	REV. B
		.X° ± .X ±	Fagi	19.05.2015	SERIES NO.	
		.XX° ± .XX ± 0.25	Hogi	19.05.2015	MJS-168-MGGLZ-96/SNCS	
		.XXX° ± .XXX ±				

PoE RJ45 PCB JACK <16P/8C>
 long profile Type with LED "Tab up"
 fully shielded with gnd. latches
"Z" Type 10/100/1000 Mbps TX Filtered