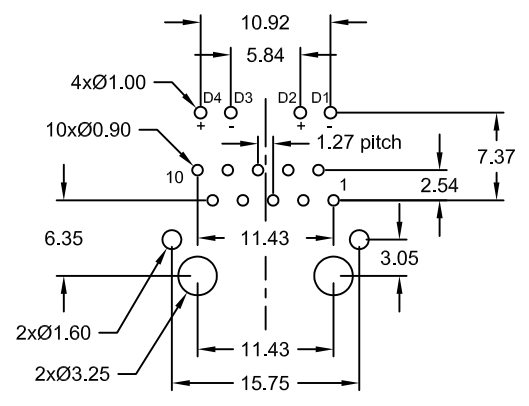
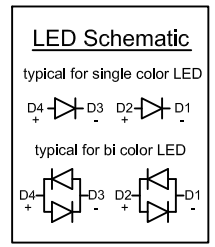
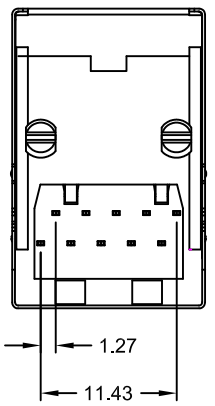
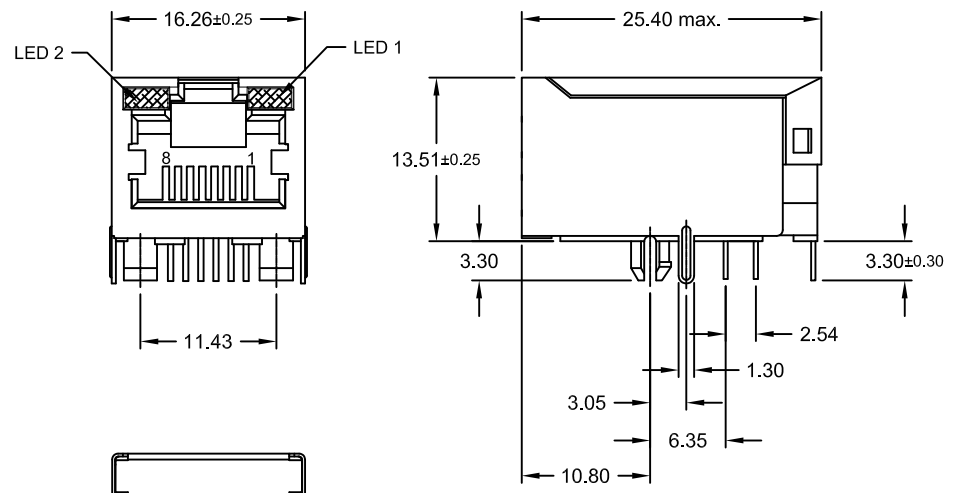
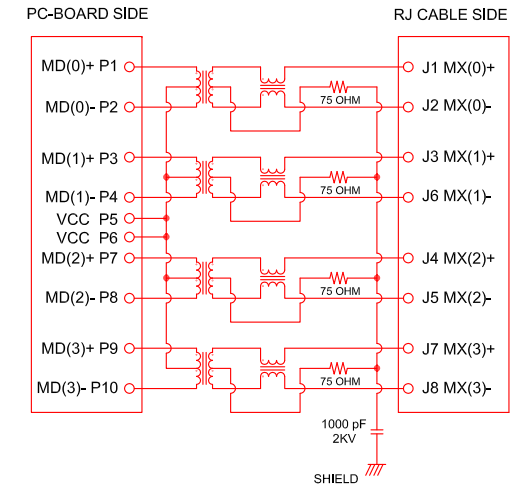


REV.	DESCRIPTION	DATE	DRAWN
A	NEW	27.11.2014	Ryan



Recommended PCB Hole Layout Top View
(Tolerance: ±0.05)

Schematic: "D0" Type



Electrical Characteristics

- Test Notes: (25°C ±5°C)
- TR: (100KHz 0.1V):
Pins: (P1,P2):(J1,J2)=1:1±3%
Pins: (P3,P4):(J3,J6)=1:1±3%
Pins: (P7,P8):(J4,J5)=1:1±3%
Pins: (P9,P10):(J7,J8)=1:1±3%
 - LX: (100KHz 100mV 8mA DC Bias)
350µH min.
 - DCR:
every RJ pair = 1.2Ω max.
 - HIPOT:
Input to Output PIN =1500V AC for 60 Sec.
 - INSERTION LOSS:
-1.1dB max. at 100KHz to 80MHz
 - RETURN LOSS:
-19dB min. at 1MHz to 30MHz
-13dB min. at 30MHz to 60MHz
-12dB min. at 60MHz to 80MHz
-10dB min. at 80MHz to 100MHz
 - CROSS TALK:
-[33-20 log(F/50MHZ)] min. at 1MHz to 100MHz
 - COMMON TO COMMON MODE REJECTION:
-35dB min. at 30MHz to 100MHz

SPECIFICATION

Materials
Insulator: PBT UL 94V-0 (black)
Contact: Phosphor Bronze t=0.35mm plated with Au flash over Ni
Shield: Brass t=0.20; Ni plated

Operating Life: 750 Cycles min.
Temperature range: -40°C to +85°C

Cavity conform to FCC rules and Regulations Part 68, Subpart F



PART NUMBER	GOLD PLATING CONTACT AREA
MJS-180-M3LD0-56/7xCS	6µ"
MJS-180-M3LD0-57/7xCS	15µ"
MJS-180-M3LD0-58/7xCS	30µ"
MJS-180-M3LD0-5H/7xCS	50µ"

Replace "x" with LED Color Options

	LED Color Options	
	LED 2	LED 1
1	YELLOW	GREEN
2	NO LED	GREEN
3	GREEN	NO LED
4	GREEN	YELLOW
5	GREEN	GREEN
6	YELLOW	YELLOW
7	ORANGE/GREEN	ORANGE/GREEN
8	YELLOW/GREEN	YELLOW/GREEN
9	RED	NO LED
A	GREEN/YELLOW	GREEN/YELLOW
B	RED/GREEN	RED/GREEN
C	RED/GREEN	GREEN/YELLOW
D	GREEN	GREEN/YELLOW
E	YELLOW	GREEN/YELLOW



UNIT	GENERAL TOLERANCE		DRAWN	DATE	DWG. NO.	SHEET 1/1
mm	X.° ±	X. ±	Ryan	27.11.2014	1342533	REV. A
SCALE	.X° ±	.X ± 0.30	CHECK	DATE	SERIES NO.	
Free	.XX° ±	.XX ± 0.20	Ronny	27.11.2014	MJS-180-M3LD0-xx/7xCS	
	.XXX° ±	.XXX ±	APPROVE	DATE		
			Hogi	27.11.2014		

RJ45 PCB JACK <8P/10C> "Tab up"
side entry, long profile Type with LED
fully shielded without gnd. latches
"D0 Type 10/100/1000 Mbps, 8 core TX Filtered