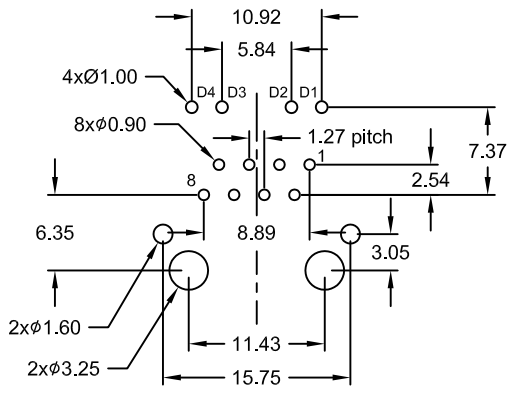
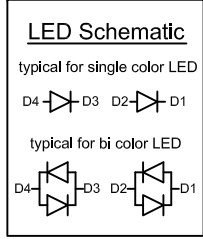
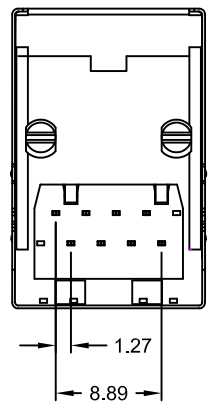
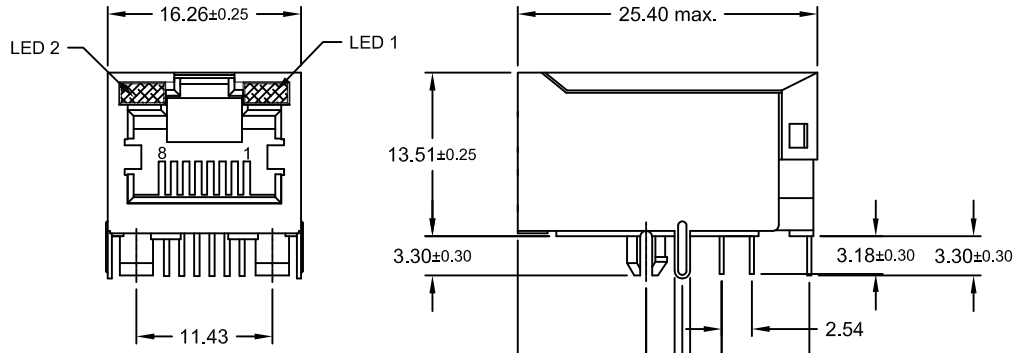
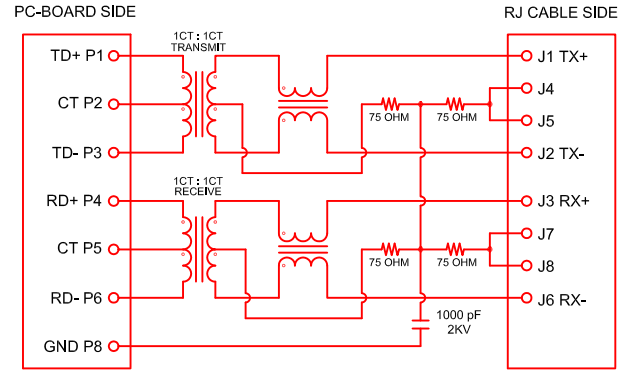


REV.	DESCRIPTION	DATE	DRAWN
A	New	04.12.2014	Ryan
B	Correct P/N M3L2 => M3L20 & update	17.02.2016	Ronny



Recommended PCB Hole Layout Top View
(Tolerance: ±0.05)

Schematic: "2" Type



Electrical Characteristics

- Test Notes: (25°C ±5°C)
- TR: (100KHz 0.1V):
Pins: (P1-P3):(J1-J2)=1:1±3%
Pins: (P4-P6):(J3-J6)=1:1±3%
 - LX: (100KHz 100mV 8mA DC Bias)
Pins: (P1-P3):(P4-P6)=350µH min.
 - DCR:
Pins: (J1-J2):(J3-J6)=1.2Ω max.
 - HIPOT:
Pins: (P1,P2,P3)to(J1,J2)=1500V AC for 60 Sec.
Pins: (P4,P5,P6)to(J3,J6)=1500V AC for 60 Sec.
 - INSERTION LOSS:
-1dB max. at 0.3MHz to 100MHz
 - RETURN LOSS:
-20dB min. at 1MHz to 30MHz
-15dB min. at 30MHz to 60MHz
-10dB min. at 60MHz to 80MHz
 - CROSS TALK:
-30dB min. at 1MHz to 100MHz
 - COMMON TO COMMON MODE REJECTION:
-30dB min. at 1MHz to 100MHz

SPECIFICATION

Materials
Insulator: PBT UL 94V-0 (black)
Contact: Phosphor Bronze t=0.35mm
Plating: Au flash on solder area;
Au on contact area;
entire contact Ni underplated
Shield: Copper Alloy t=0.20; Ni plated

Operating Life: 750 Cycles min.
Temperature range: -40°C to +85°C

Cavity conform to FCC rules and Regulations Part 68, Subpart F



PART NUMBER	GOLD PLATING CONTACT AREA
MJS-188-M3L20-56/7xCS	6µ"
MJS-188-M3L20-57/7xCS	15µ"
MJS-188-M3L20-58/7xCS	30µ"
MJS-188-M3L20-5H/7xCS	50µ"

	LED Color Options	
	LED 2	LED 1
1	YELLOW	GREEN
2	NO LED	GREEN
3	GREEN	NO LED
4	GREEN	YELLOW
5	GREEN	GREEN
6	YELLOW	YELLOW
7	ORANGE/GREEN	ORANGE/GREEN
8	YELLOW/GREEN	YELLOW/GREEN
9	RED	NO LED
A	GREEN/YELLOW	GREEN/YELLOW
B	RED/GREEN	RED/GREEN
C	RED/GREEN	GREEN/YELLOW
D	GREEN	GREEN/YELLOW
E	YELLOW	GREEN/YELLOW

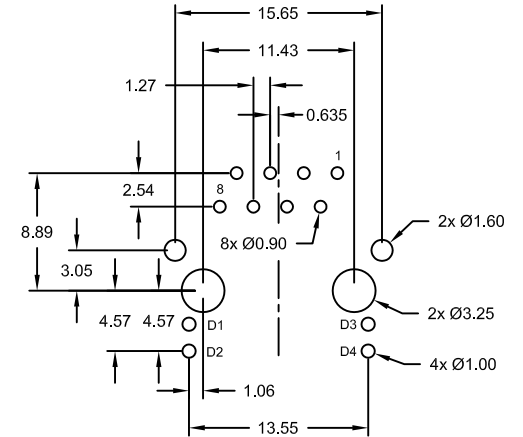
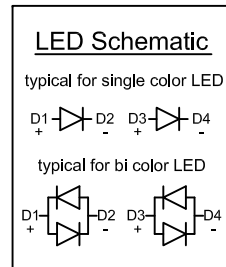
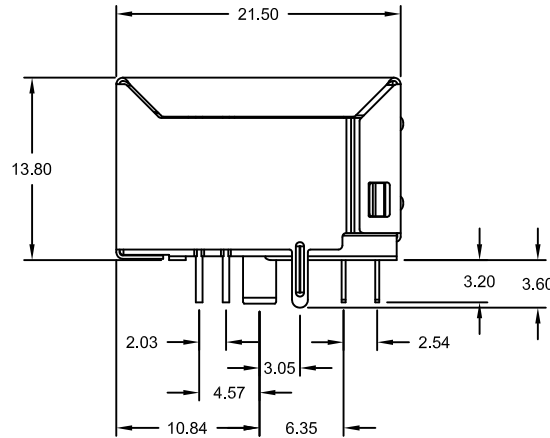
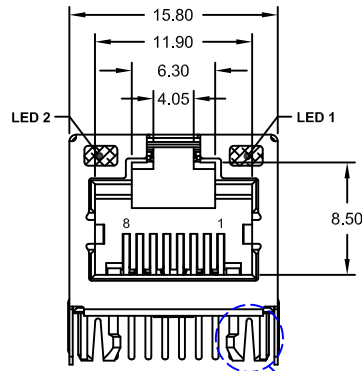
E-tec 2016 © - all rights reserved



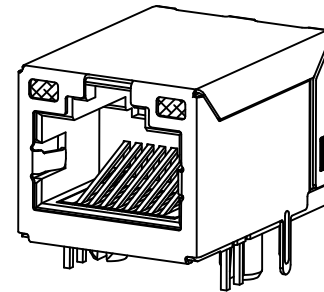
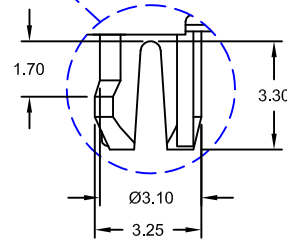
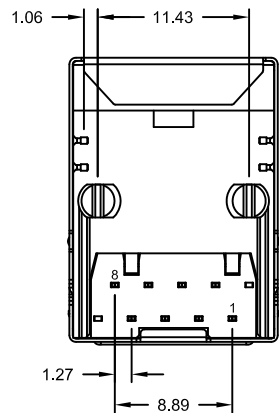
UNIT	SCALE	GENERAL TOLERANCE	DRAWN	DATE	DWG. NO.	SHEET 1/1
mm	Free	X.° ±	Ryan	04.12.2014	1342534	REV. B
		.X° ±	Ronny	17.02.2016	SERIES NO.	
		.XX° ±	Hogi	17.02.2016	MJS-188-M3L20-xx/7xCS	
		.XXX° ±				

RJ45 PCB JACK <8P/8C> "Tab up"
side entry, long profile Type with LED
fully shielded without gnd. latches
"2" Type 10/100 Mbps, 4 core TX Filtered

REV.	DESCRIPTION	DATE	DRAWN
A	NEW	26.08.2015	Ryan
B	correct Layout dlm,	08.09.2015	Ronny



Recommended PCB Hole Layout Top View
(Tolerance: ±0.05)

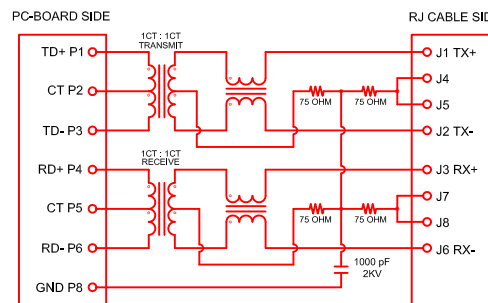


Electrical Characteristics

Test Notes: (25°C ±5°C)

- TR: (100KHz 0.1V):
Pins: (P1-P3):(J1-J2)=1:1±3%
Pins: (P4-P6):(J3-J6)=1:1±3%
- LX: (100KHz 100mV 8mA DC Bias)
Pins: (P1-P3):(P4-P6)=350µH min.
- DCR:
Pins: (J1-J2):(J3-J6)=1.2Ω max.
- HIPOT:
Pins: (P1,P2,P3)to(J1,J2)
=1500V AC for 60 Sec.
Pins: (P4,P5,P6)to(J3,J6)
=1500V AC for 60 Sec.
- INSERTION LOSS:
-1dB max. at 0.3MHz to 100MHz
- RETURN LOSS:
-20dB min. at 1MHz to 30MHz
-15dB min. at 30MHz to 60MHz
-10dB min. at 60MHz to 80MHz
- CROSS TALK:
-30dB min. at 1MHz to 100MHz
- COMMON TO COMMON MODE REJECTION:
-30dB min. at 1MHz to 100MHz

Schematic: "2" Type



SPECIFICATION

Materials

Insulator: PBT UL 94V-0 (black)
Contact: Phosphor Bronze t=0.35mm
Plating: Sn on solder area;
Au on contact area
Shield: Brass t=0.25; Ni plated
Operating Life: 750 Cycles min.
Temperature range: 0°C to +70°C
Cavity comply with FCC Rules and Regulations Part 68, Subpart F

PART NUMBER	GOLD PLATING CONTACT AREA
MJS-188-MOL2-95/7xCS	3µ"
MJS-188-MOL2-96/7xCS	6µ"
MJS-188-MOL2-97/7xCS	15µ"
MJS-188-MOL2-98/7xCS	30µ"
MJS-188-MOL2-9H/7xCS	50µ"

	LED Color Options	
	LED 2	LED 1
1	YELLOW	GREEN
2	NO LED	GREEN
3	GREEN	NO LED
4	GREEN	YELLOW
5	GREEN	GREEN
6	YELLOW	YELLOW
7	ORANGE/GREEN	ORANGE/GREEN
8	YELLOW/GREEN	YELLOW/GREEN
9	RED	NO LED
A	GREEN/YELLOW	GREEN/YELLOW
B	RED/GREEN	RED/GREEN
C	RED/GREEN	GREEN/YELLOW
D	GREEN	GREEN/YELLOW
E	YELLOW	GREEN/YELLOW

E-tec 2015 © - all rights reserved



UNIT	SCALE	GENERAL TOLERANCE	DRAWN	DATE	DWG. NO.	SHEET 1/1
mm	Free	X.° ± X. ±	Ryan	26.08.2015	1342535	REV. B
		.X° ± .XX ± 0.25	Ronny	08.09.2015	SERIES NO.	
		.XXX° ± .XXX ±	Hogi	08.09.2015	MJS-188-MOL2-9x/7xCX	

RJ45 PCB JACK <8P/8C> "Tab up"
side entry, long profile Type with LED
fully shielded without gnd. latches
"2" Type 10/100 Mbps, 4 core TX Filtered