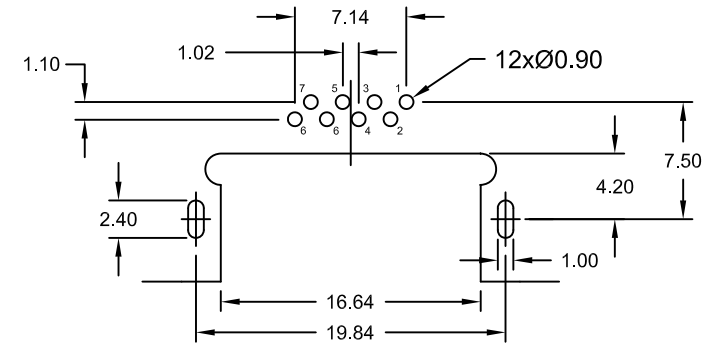
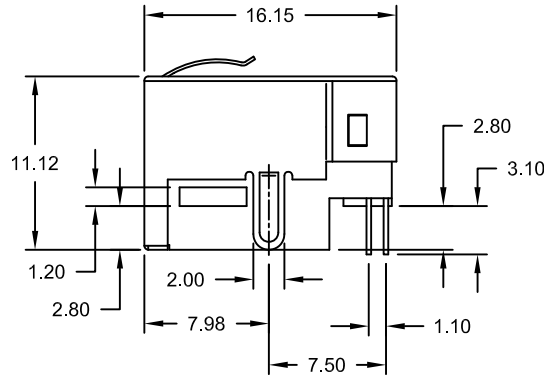
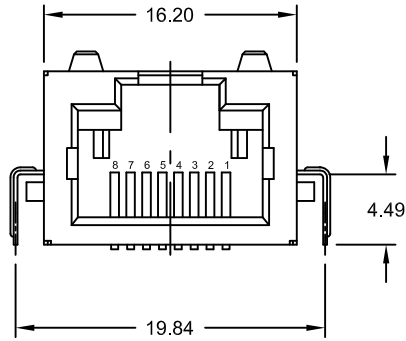
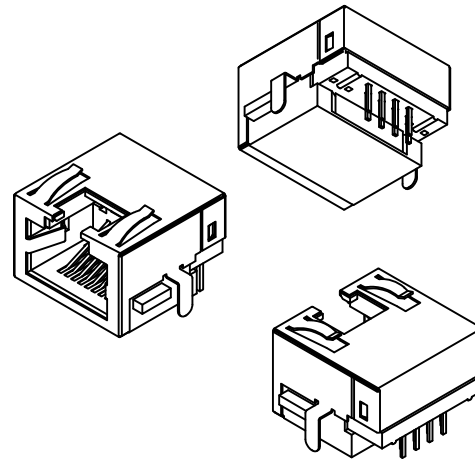
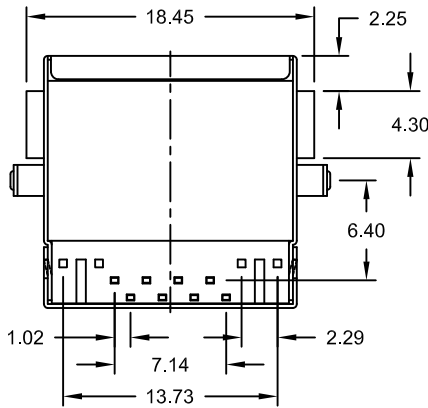


REV.	LOCAS.	DESCRIPTION	DATE	DRAWN
A		NEW	05.01.2012	Ronny
B		New DGW. No.	01.02.2012	Ronny



Recommended PCB Layout
(Top View)



Specifications

Current rating: 1,5A
 Insulation resistance: 500MΩ min. / 500V DC
 Withstanding voltage: 1000V rms 60Hz / 1 Minute
 Contact resistance: 40mΩ max. / 20mV DC
 Operating temperature: -40°C to +105°C

Materials

Contact: Phosphor Bronze
 Plating: Sn on solder area;
 Au on contact area
 Insulator: High Temp Thermoplastic UL 94V-0 (Black)

Cavity confirms to FCC Rules and Registration PAR68, Subparts F

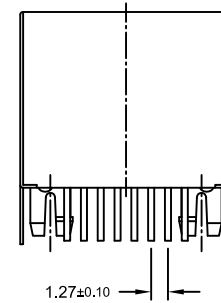
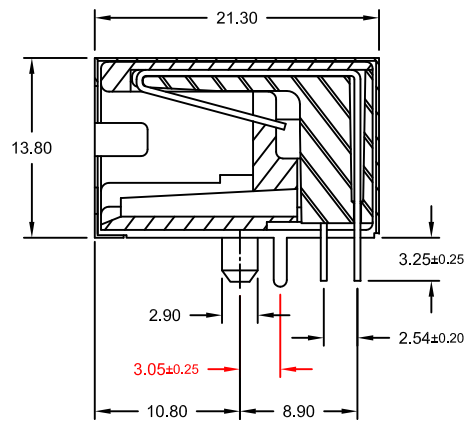
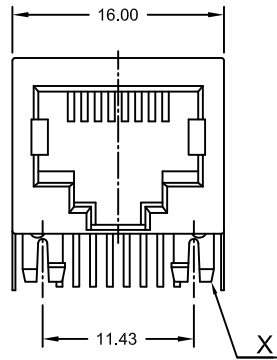
PART NUMBER	GOLD PLATING CONTACT AREA
MJS-188-FT1S0-96/CS	6μ"
MJS-188-FT1S0-97/CS	15μ"
MJS-188-FT1S0-98/CS	30μ"
MJS-188-FT1S0-9H/CS	50μ"

UNIT	GENERAL TOLERANCE		DRAWN	DATE	DWG. NO.	SHEET 1/1
mm	X.° ± 3°	X. ±	Ronny	05.01.2012	1331500	REV. B
SCALE	.X° ±	.X ± 0.25	Hogi	01.02.2012	SERIES NO.	
	.XX° ±	.XX ± 0.15	Hogi	01.02.2012	MJS-188-FT1S0-9x/CS	
	.XXX° ±	.XXX ±				

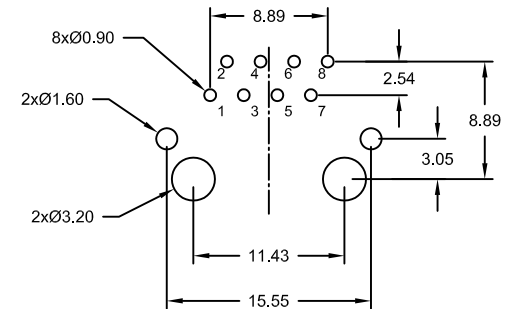
RJ45 PCB Jack <8P8C>
Embedded Type
 side entry short profile
 without LED



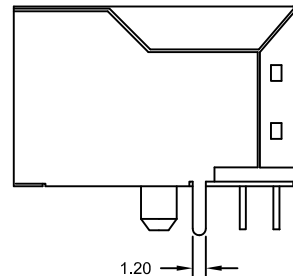
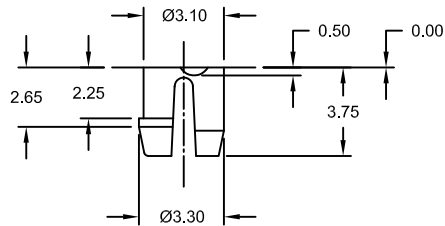
REV.	DESCRIPTION	DATE	DRAWN
A	NEW	26.11.2012	Ronny
B	add Operating temperature:	01.04.2014	Ronny



RECOMMENDED HOLE LAYOUT
8P/8C



DETAIL "X"



Specifications
Electrical

Current rating: 1A max.
Insulation resistance: 1000MΩ min. at 500V DC
Voltage rating: 150V rms
Withstanding voltage: 1000V AC rms 60Hz 1 Minute
Contact resistance: 40mΩ max.

Material

Contact: Phosphor Bronze t=0.35mm
Plating: Gold over Nickel
(Flash Gold in solder area)
Housing: PBT Polyester UL 94V-0 (Black)
Insert: PBT Polyester UL 94V-0 (Black)
Shield: Copper Alloy t=0.25mm
Plating: Nickel

Operating temperature: -40°C to +85°C

Cavity conform to FCC Rules and
Registration PAR68, Subparts F



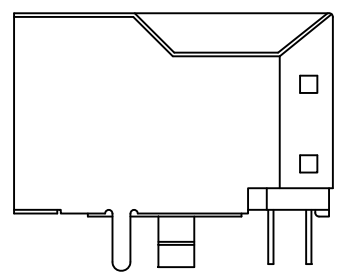
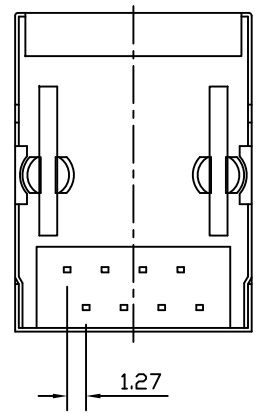
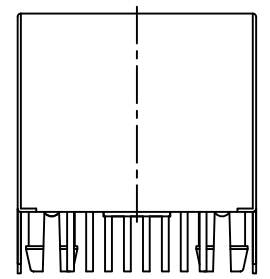
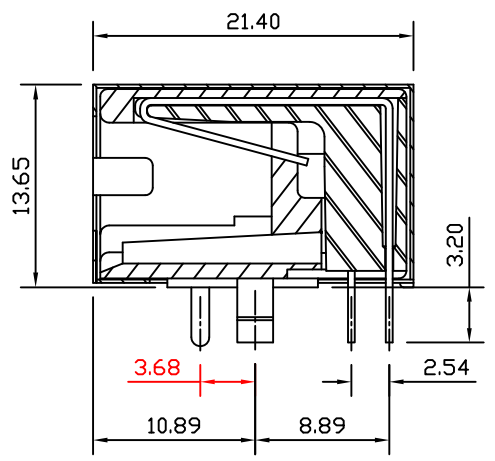
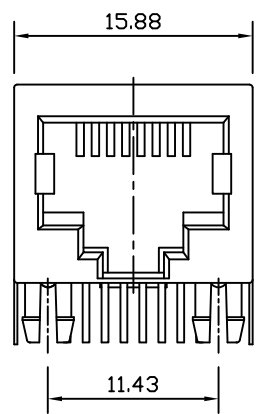
PART NUMBER	GOLD PLATING CONTACT AREA
MJS-188-D3L1-55/7CS	3μ"
MJS-188-D3L1-56/7CS	6μ"
MJS-188-D3L1-57/7CS	15μ"



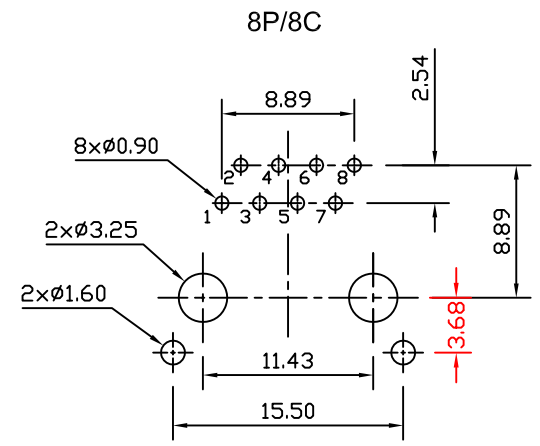
UNIT	mm	GENERAL TOLERANCE		DRAWN	Ronny	DATE	26.11.2012	DWG. NO.	1331501	SHEET 1/1
SCALE	Free	X.° ±	X. ±	CHECK	Oliver	DATE	01.04.2014	SERIES NO.	MJS-188-D3L1-5x/xCS	REV. B
		.XX° ±	.XX ± 0.13	APPROVE	Hogi	DATE	01.04.2014			
		Angle ±0° 30'	.XXX ± 0.05							

RJ45 PCB Jack <8P/8C> "Tab down"
side entry-long profile type
fully shielded **Gnd. tab R 3.05mm**
with stamped contact

REV.	LOCAS.	DESCRIPTION	DATE	DRAWN
A		RoHS	12.12.2006	HG
B		PN: -S296- → -S1L0-	14.07.2009	Ronny
C		update description	07.02.2011	Ronny
D		change P/N: -108- → -188-	27.05.2011	Ronny
E		New DWG. No.	01.02.2012	Ronny



RECOMMENDED HOLE PATTERN



- NOTE :
- ELECTRICAL:
 - VOLTAGE RATING: 150V rms.
 - CURRENT RATING: 1.5 A max.
 - CONTACT RESISTANCE: 40m Ω max.
 - INSULATION RESISTANCE: 1000M min. at 500V DC
 - DIELECTRIC STRENGTH: 1000V AC rms. 60Hz 1 MINUTE
 - MATERIAL:
 - HOUSING - PBT BLACK UL94V-0
 - INSERT - PBT BLACK UL94V-0
 - CONTACT - 0.35 x 0.42mm STAMPED PhBz
SELECTIVE PLATED TIN/GOLD OVER NICKEL
 - SHIELD - 0.25mm THICK BRASS; NICKEL PLATED
 - CAVITY CONFIRMS TO FCC RULES AND REGISTRATION PAR68, SUBPARTS F.



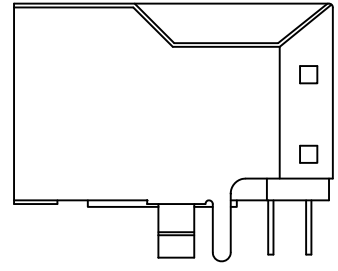
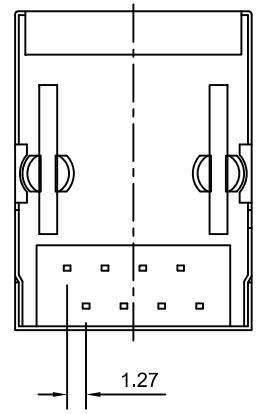
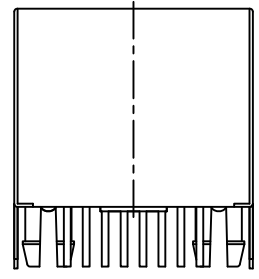
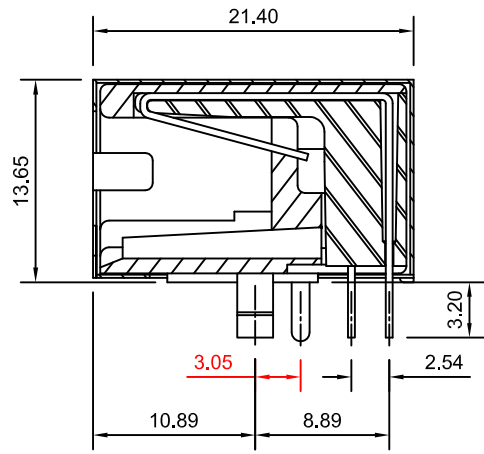
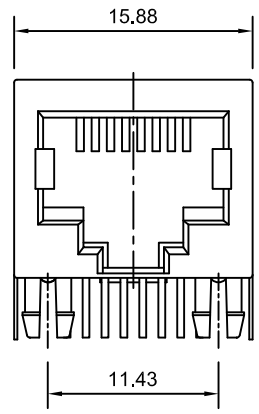
PART NUMBER	GOLD PLATING CONTACT AREA
MJS-188-S1L0-96/6CS	6μ"
MJS-188-S1L0-97/6CS	15μ"
MJS-188-S1L0-98/6CS	30μ"
MJS-188-S1L0-9H/6CS	50μ"



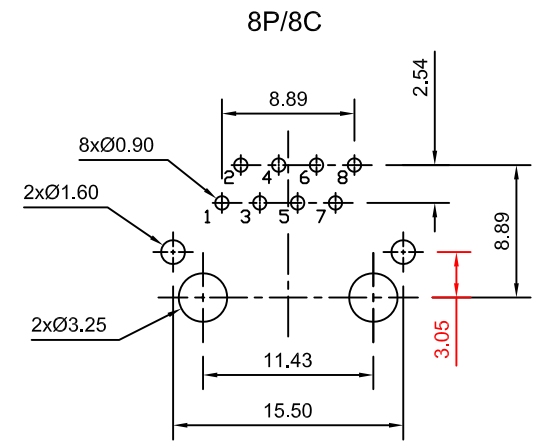
UNIT	mm	GENERAL TOLERANCE		DRAWN	DATE	DWG. NO.	SHEET 1/1
SCALE	Free	X.° ±	X ± 0.50	DATE	15.10.1996	1331502	REV. D
		.X° ±	.X ± 0.38	CHECK	01.02.2012	SERIES NO.	
		.XX° ±	.XX ± 0.25	APPROVE	01.02.2012	MJS-188-S1L0-xx/xCS	
		ANG. ± 0,3°	.XXX ± 0.10	HOGI			

RJ45 PCB JACK <8P8C>
SIDE ENTRY-LONG PROFILE TYPE
FULLY SHIELDED, GRD. TAB F 3.68mm

REV.	DESCRIPTION	DATE	DRAWN
A	NEW	14.07.2009	Ronny
B	update description	07.02.2011	Ronny
C	change P/N: -108- -> -188-	27.05.2011	Ronny
D	New DWG. No.	01.02.2012	Ronny
E	CAT 5	15.04.2013	HG



RECOMMENDED HOLE PATTERN



Specifications

ELECTRICAL

Current rating: 1.5A max.
 Insulation resistance: 1000MΩ min. at 500V DC
 Voltage rating: 150V rms
 Withstanding voltage: 1000V AC rms. 60Hz 1 Minute
 Contact resistance: 40mΩ max.

Materials

Contact: 0.35 x 0.42mm stamped PhBz
 selective plated tin/gold over nickel
 Housing: PBT UL 94V-0 (Black)
 Insert: PBT UL 94V-0 (Black)
 Shield: Brass t=0.25mm
 Nickel Plated



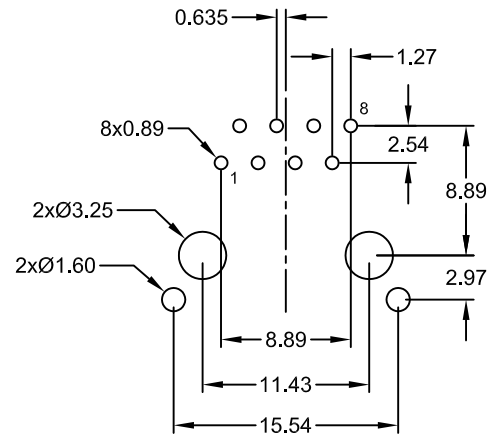
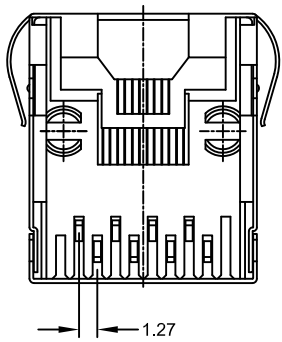
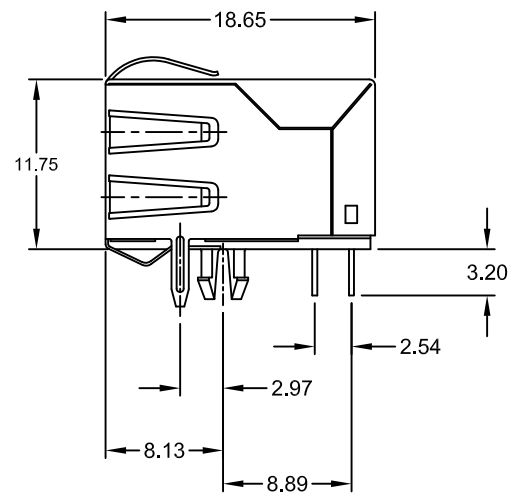
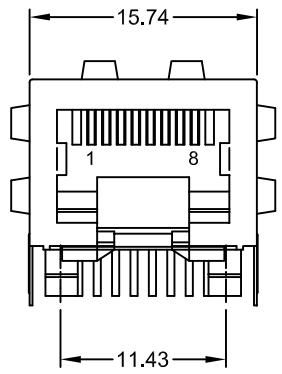
PART NUMBER	GOLD PLATING CONTACT AREA
MJS-188-S1L0-96/7CS	6μ"
MJS-188-S1L0-97/7CS	15μ"
MJS-188-S1L0-98/7CS	30μ"
MJS-188-S1L0-9H/7CS	50μ"



UNIT	mm	GENERAL TOLERANCE		DRAWN	Lily	DATE	15.10.1996	DWG. NO.	SHEET 1/1
SCALE	Free	X.° ±	X ± 0.50	CHECK	RONNY	DATE	01.02.2012	1331503	REV. E
		.XX° ±	.XX ± 0.25	APPROVE	HOGI	DATE	15.04.2013	SERIES NO.	
		ANG. ± 0.3°	.XXX ± 0.10					MJS-188-S1L0-xx/xCS	

RJ45 PCB JACK <8P8C>
CAT 5
 SIDE ENTRY-LONG PROFILE TYPE
 FULLY SHIELDED, GRD. TAB R 3.05mm

REV.	DESCRIPTION	DATE	DRAWN
A	NEW	06.11.2008	RH
B	New DWG. No.	01.02.2012	Ronny
C	update	29.01.2015	Ronny



Recommended PCB Hole Layout
(Top View)

Specifications

Electrical

Current rating: 1.5A
 Insulation resistance: 500MΩ min. / 500V DC
 Withstanding voltage: 1000V AC rms. 60Hz / Minute
 Contact resistance: 40mΩ max. / 20mV DC

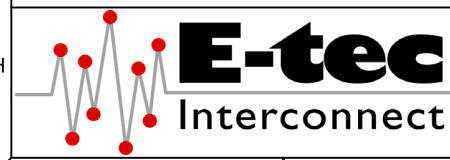
Material

Contact: Phosphor Bronze
 Plating: Au flash on contact area;
 Sn on solder area
 Shield: Brass
 Plating: Ni
 Insulator: PBT (black) UL 94V-0

Operating temperature: -40°C to +105°C

Cavity conforms to FCC rules and regulations Part 68, Subpart F

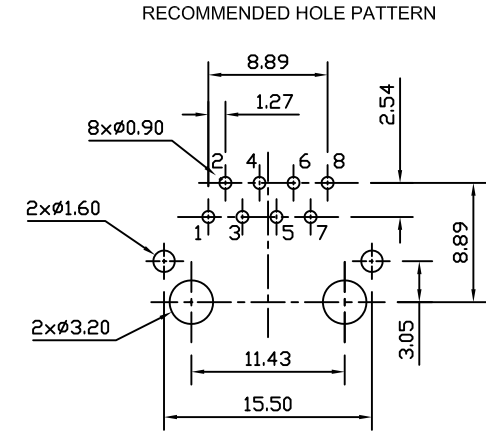
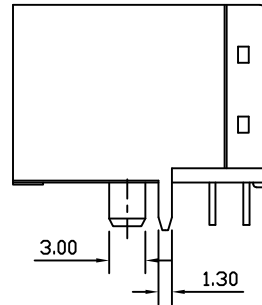
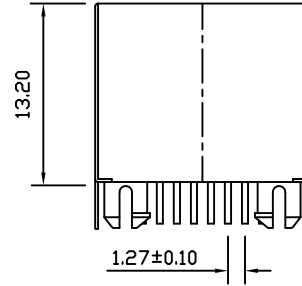
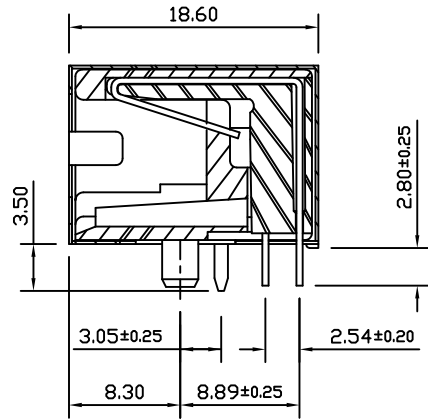
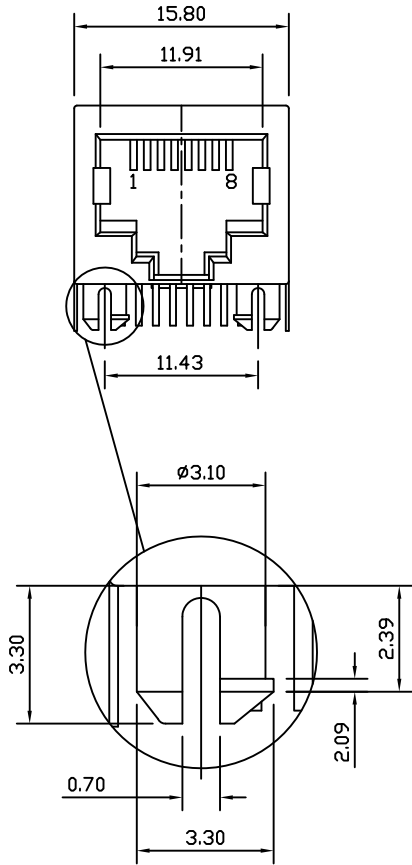
PART NUMBER	GOLD PLATING CONTACT AREA
MJS-188-S1S0-96/9CA	6μ"
MJS-188-S1S0-97/9CA	15μ"
MJS-188-S1S0-98/9CA	30μ"
MJS-188-S1S0-9H/9CA	50μ"



UNIT	SCALE	GENERAL TOLERANCE	DRAWN	DATE	DWG. NO.	SHEET 1/1
mm	Free	X.° ± X. ± 0.50	RH	06.11.2008	1331504	REV. C
		.X° ± .X ± 0.38	CHECK	29.01.2015	SERIES NO.	
		.XX° ± .XX ± 0.25	Oliver		MJS-188-S1Sx-9x/9CX	
		ANG ± 3° .XXX ± 0.10	APPROVE	29.01.2015		
			Hogi			

Side entry PCB JACK
RJ45 <8P8C> "TAB down"
 short profile Type fully shielded
 with gnd. Latches around

REV.	LOCAS.	DESCRIPTION	DATE	DRAWN
A		NEW	27.03.2008	RONNY
B		Frame	03.03.2009	RONNY
C		P/N change S9837 -> S3M0	14.12.2009	RONNY
D		New DWG. No	01.02.2012	RONNY



NOTE :

- ELECTRICAL:
 - VOLTAGE RATING: 150V RMS.
 - CURRENT RATING: 1.5A max.
 - CONTACT RESISTANCE: 40mΩ max.
 - INSULATION RESISTANCE: 1000MΩ min. at 500V DC
 - DIELECTRIC STRENGTH: 1000V AC RMS 60Hz 1 MINUTE
- MATERIAL:
 - HOUSING-PBT POLYESTER UL94V-0
STANDARD COLOR-BLACK.
 - INSERT-PBT POLYESTER UL94V-0
STANDARD COLOR-BLACK
 - CONTACT-0.35x0.42mm stamped
PHOS-BRONZE HARD Au OVER Ni IN CONTACT AREA
FLASH Au OVER Ni IN SOLDER AREA
 - SHIELD-0.25mm THICKNESS COPPER ALLOY
PLATED Ni
- CAVITY CONFIRMS TO FCC RULES AND REGISTRATION PAR68, SUBPARTS F.



PART NUMBER	GOLD PLATING CONTACT AREA
MJS-188-S3M0-58/7CS	flash/30μ"



UNIT	mm
SCALE	Free

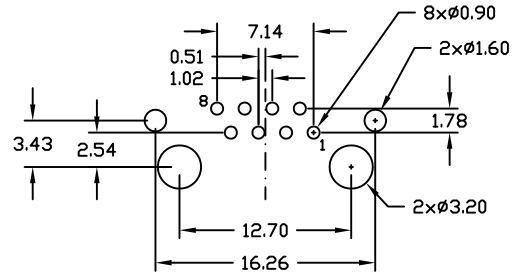
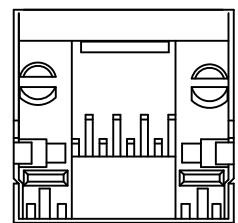
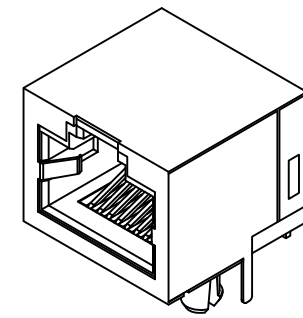
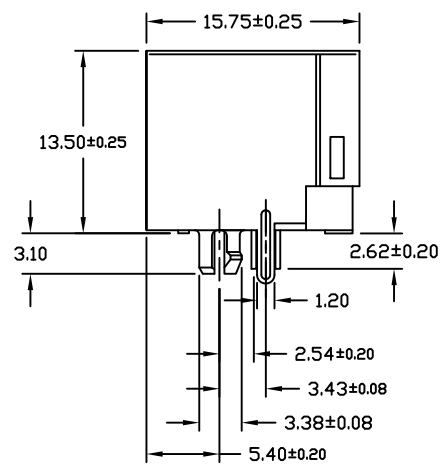
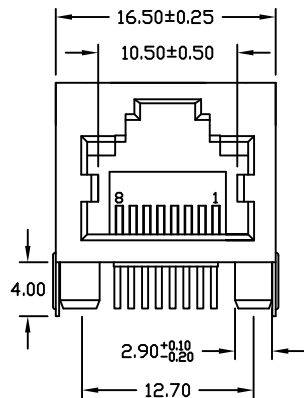
GENERAL TOLERANCE	
X.° ±	X. ±
.X° ±	.X ± 0.25
.XX° ±	.XX ± 0.20
Ang. ± 0° 30'	.XXX ± 0.10

DRAWN	RONNY	DATE	27.03.2008
CHECK	RONNY	DATE	01.02.2012
APPROVE	HOGI	DATE	01.02.2012

DWG. NO.	1331506	SHEET 1/1
SERIES NO.	MJS-188-S3M0-xx/xxx	REV. D

RJ45 PCB JACK <8P8C>
SIDE ENTRY-MEDIUM PROFILE TYPE
FULLY SHIELDED, GRD. TAB R 3.05mm

REV.	LOCAS.	DESCRIPTION	DATE	DRAWN
A		NEW	17.04.2012	Ryan Chou



Recommended PCB Layout
(Top View)

PART NUMBER	GOLD PLATING CONTACT AREA
MJS-188-S3S0-56/3CS	6μ"
MJS-188-S3S0-57/3CS	15μ"
MJS-188-S3S0-58/3CS	30μ"
MJS-188-S3S0-5H/3CS	50μ"

SPECIFICATION

1. ELECTRICAL

- Insulation Resistance - 500MΩ min.
- Contact Resistance - 50mΩ max.
- Withstanding Voltage - 1000V AC 1 Minute
- Current Rating - 1.5A

2. MATERIAL:

- Housing - DSM Stanyl TE250F6 (NYLON-46)
- UL 94V-0 (black)
- Contact - PhBz t=0.35; Au flash plated
- Shield - Brass t=0.25; Ni plated

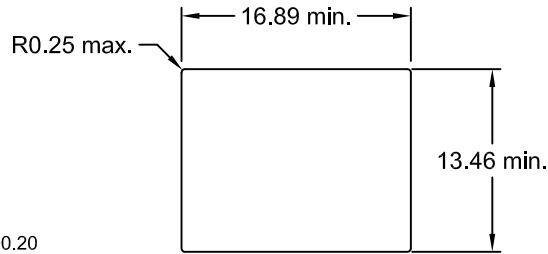
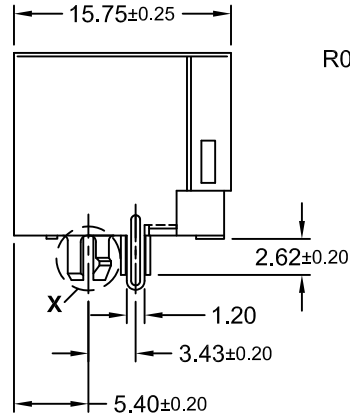
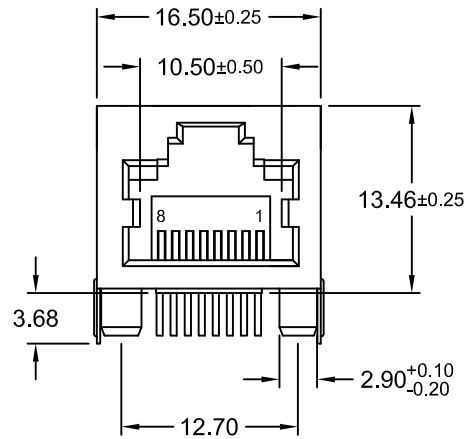
- 3. Operating life: 750 Cycles min.
- 4. Temperature range: -40°C to +85°C
- 5. Cavity conform to FCC Rules and Registration PAR68, Subparts F



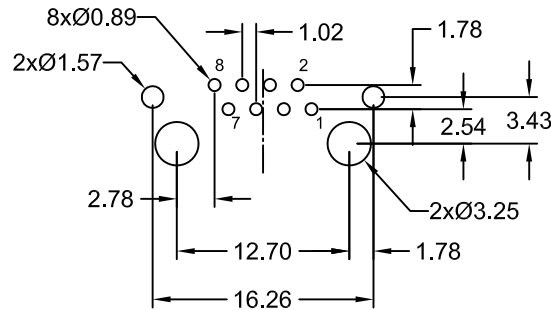
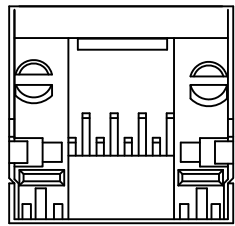
UNIT	SCALE	GENERAL TOLERANCE	DRAWN	DATE	DWG. NO.	SHEET 1/1
mm	Free	X.° ± X. ±	Ryan Chou	17.04.2012	1331508	REV. A
		.X° ± .X ± 0.25	CHECK	17.04.2012	SERIES NO.	
		.XX° ± .XX ± 0.13	APPROVE	18.04.2012	MJS-188-S3S0-xx/3CS	
		.XXX° ± .XXX ± 0.05	Hogi			

RJ 45 PCB JACK <8P8C> "TAB UP"
side entry-short profile Type
fully shielded **without** Grd. Latches

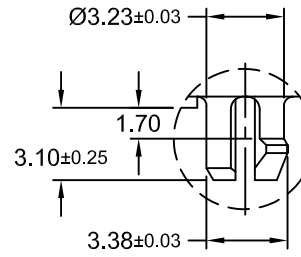
REV.	DESCRIPTION	DATE	DRAWN
A	NEW	10.05.1993	Kathy
B	new shield design; plating Sn -> Au PN -SARJ-xx/CS -> -S3M1-5x/3CS	04.07.2013	Ronny



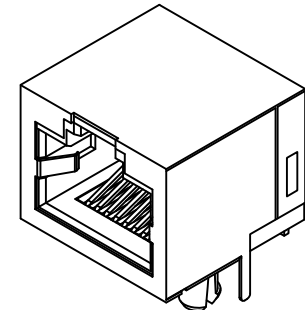
Recommended Panel Cutout



Recommended PCB Layout
(Top View)



Detail X



Materials

Contact: Phosphor Bronze $t=0.35\text{mm}$
 Plating: Au flash on solder area
 Shield: Copper Alloy $t=0.25\text{mm}$
 Plating: Ni
 Insulator: Nylon 46 UL 94V-0 (Black)

Environmental

Operating temperature: -0°C to $+70^{\circ}\text{C}$
 Storage temperature: -40°C to $+80^{\circ}\text{C}$

Cavity confirms to FCC Rules and Registration PAR68,
 Subparts F



Specifications

Current rating: 1.5A @ 25°C
 Insulation resistance: 500M Ω min.
 Withstanding voltage: 1000V rms / Minute 60Hz
 Voltage rating: 150V AC
 Contact resistance: 20m Ω max.

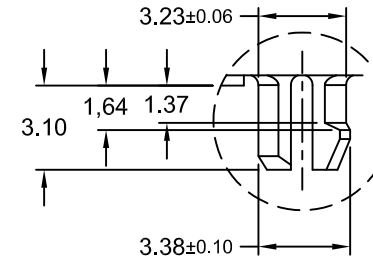
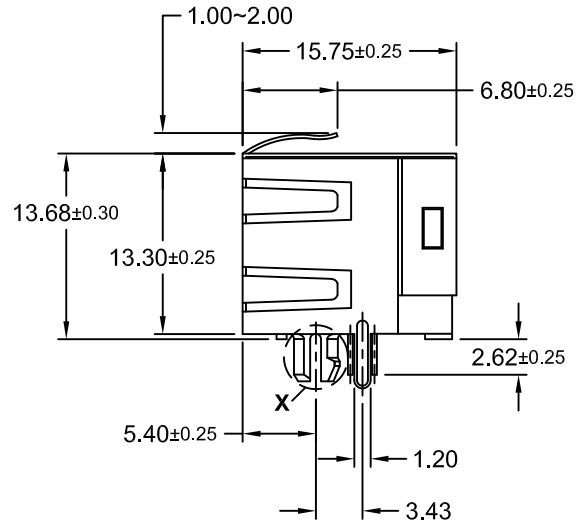
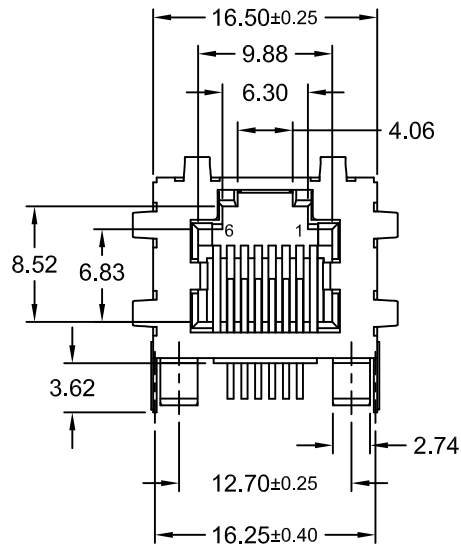
PART NUMBER	GOLD PLATING CONTACT AREA
MJS-188-S3M1-56/3CS	6 μ "
MJS-188-S3M1-57/3CS	15 μ "
MJS-188-S3M1-58/3CS	30 μ "
MJS-188-S3M1-5H/3CS	50 μ "

UNIT mm	GENERAL TOLERANCE		DRAWN Kathy	DATE 10.05.1993	DWG. NO. 1331510	SHEET 1/1
	X. ° ±	.X ° ±	CHECK Ronny	DATE 04.07.2013	Series NO. MJS-188-S3M1-xx/3CS	REV. B
	X. ±	.X ± 0.25	APPROVE Hogi	DATE 04.07.2013		
	XX. ±	.XX ± 0.13				
SCALE Free		XXX. ±	.XXX ± 0.05			

RJ 45 PCB JACK <8P8C> "TAB UP"
 side entry-short profile Type
 fully shielded **without** Grd. Latches



REV.	DESCRIPTION	DATE	DRAWN
A	NEW	18.09.2013	Ryan



Detail X



Specifications

Current rating: 1.5A @25°C
 Insulation resistance: 500MΩ min.
 Withstanding voltage: 1000V rms / Minute 60Hz
 Voltage rating: 150V AC
 Contact resistance: 20mΩ max.

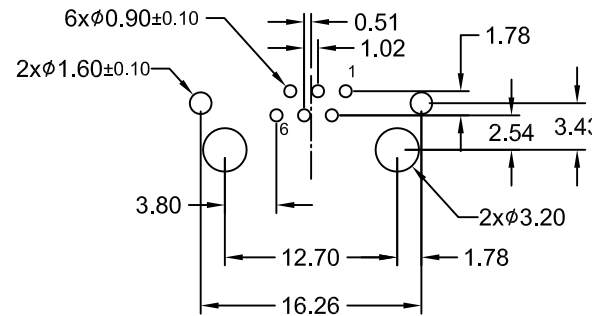
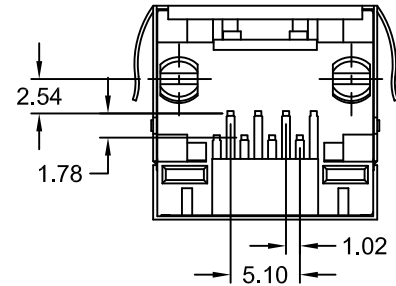
Materials

Contact: Phosphor Bronze t=0.35mm
 Plating: Au flash on solder area
 Shield: Copper Alloy t=0.25mm
 Plating: Ni
 Insulator: Nylon 46 UL 94V-0 (Black)

Environmental

Operating temperature: -0°C to +70°C
 Storage temperature: -40°C to +80°C

Cavity confirms to FCC Rules and Registration PAR68, Subparts F



Recommended PCB Layout
 Top View
 (Tolerance: ±0.05)

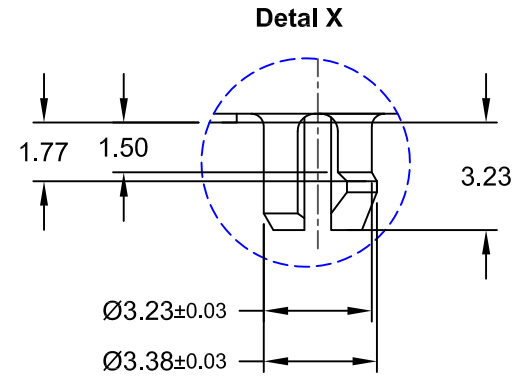
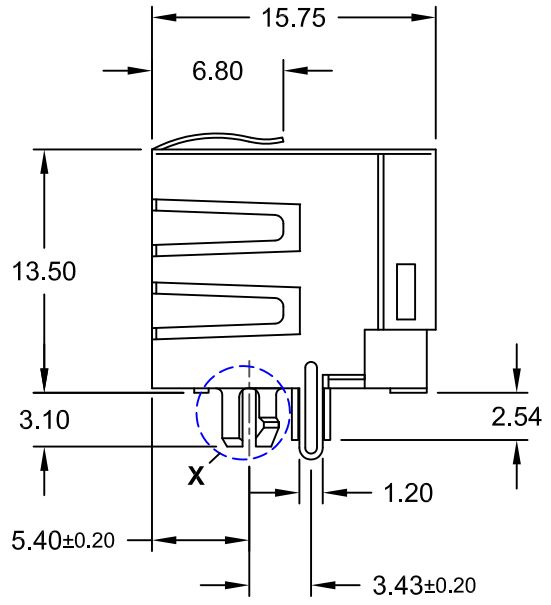
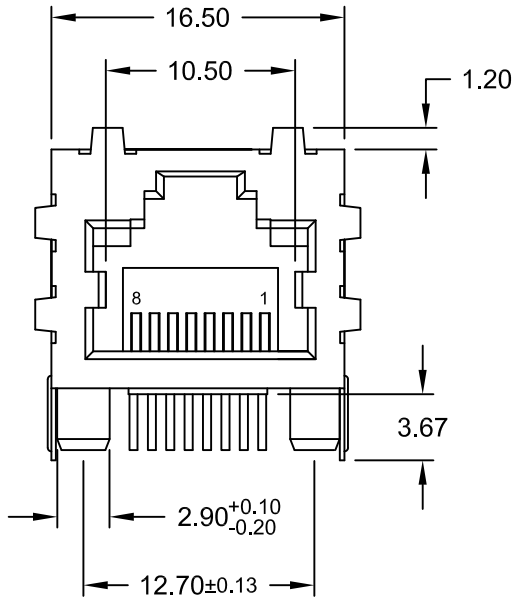
PART NUMBER	GOLD PLATING CONTACT AREA
MJS-186-S3S0-56/3CA	6μ"
MJS-186-S3S0-57/3CA	15μ"
MJS-186-S3S0-58/3CA	30μ"
MJS-186-S3S0-5H/3CA	50μ"

UNIT mm	GENERAL TOLERANCE		DRAWN Ryan	DATE 18.09.2013	DWG. NO. 1331511	SHEET 1/1
	X.° ±	.X° ±				
	SCALE Free	X. ±	.X ± 0.25	APPROVE Hogi	DATE 18.09.2013	Series NO. MJS-186-S3S0-xx/3CA
		XX. ±	.XX ± 0.13			

RJ 45 PCB JACK <8P6C> "TAB UP"
 side entry-short profile Type
 fully shielded with Grd. Latches around



REV.	DESCRIPTION	DATE	DRAWN
A	NEW	10.05.1993	Kathy
B	P/N -SARJ- -> -S3S0-9x/3xx	20.10.2014	Ronny



Specifications

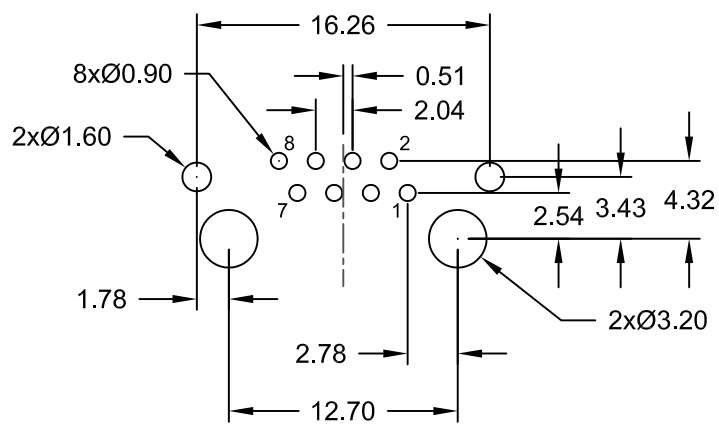
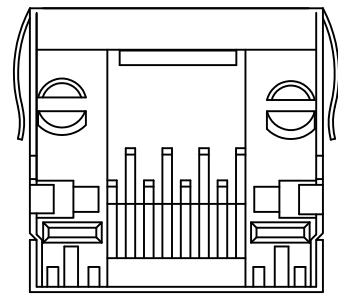
Current rating: 1.5A @25°C
 Insulation resistance: 500MΩ min.
 Withstanding voltage: 1000V rms / Minute 60Hz
 Voltage rating: 150V AC
 Contact resistance: 20mΩ max.

Materials

Contact: Phosphor Bronze t=0.35mm
 Plating: Gold flash on solder area
 Insulator: Nylon 46 UL 94V-0 (Black)
 Shield: Copper Alloy t=0.25mm
 Plating: Ni

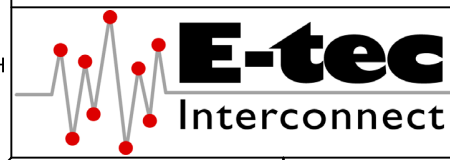
Environmental

Operating temperature: -0°C to +70°C
 Storage temperature: -40°C to +80°C
 Cavity confirms to FCC Rules and Registration PAR68, Subparts F



Recommended PCB Layout
(Top View)

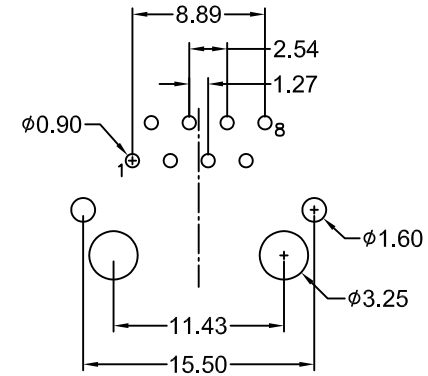
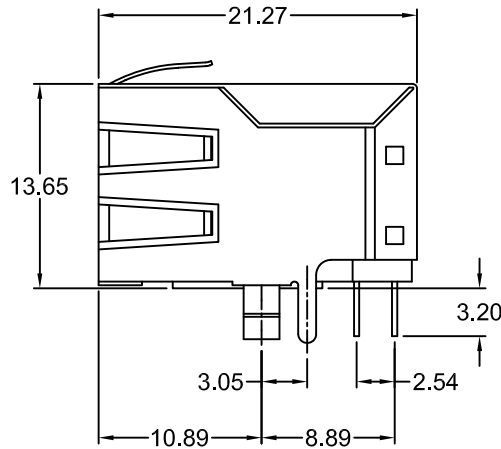
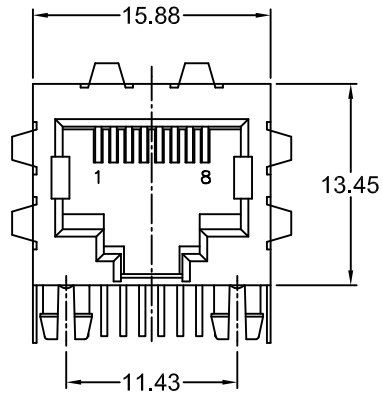
PART NUMBER	GOLD PLATING CONTACT AREA
MJS-188-S3S0-56/3CA	6μ"
MJS-188-S3S0-57/3CA	15μ"
MJS-188-S3S0-58/3CA	30μ"
MJS-188-S3S0-5H/3CA	50μ"



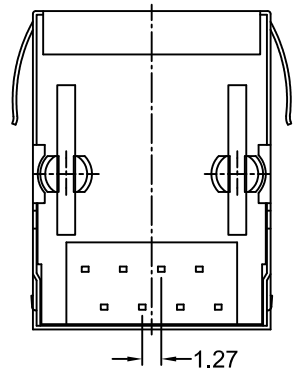
UNIT	GENERAL TOLERANCE	DRAWN	DATE	DWG. NO.	SHEET 1/1
mm	X.° ± X. ±	Kathy	10.05.1993	1331512	REV. B
SCALE	.X° ± .X ±	CHECK	DATE	SERIES NO.	
Free	.XX° ± .XX ± 0.25	Ronny	20.10.2014	MJS-188-S3S0-xx/3CA	
	Ang° ± 0° 30'	APPROVE	DATE		
	.XXX ±	Hogi	20.10.2014		

RJ 45 PCB JACK <8P8C> "TAB UP"
 side entry-short profile Type
 fully shielded with gnd. Latches around

REV.	LOCAS.	DESCRIPTION	DATE	DRAWN
A		Release	24.11.2014	Ryan Chou



Recommended PCB Layout
Top view



Specifications

Current rating: 1.5A
 Insulation resistance: 500MΩ min. / 500V DC
 Withstanding voltage: 1000V rms 60Hz / Minute
 Contact resistance: 40mΩ max. / 20mV DC
 Operating temperature: -40°C to +105°C

Materials

Contact: Phosphor Bronze t=0.35mm
 Plating: Sn on solder area; Au on contact area
 Shield: Brass t=0.25mm
 Plating: Ni
 Insulator: Nylon UL 94V-0 (black)

Cavity confirms to FCC Rules and Registration Part 68,
 Subpart F

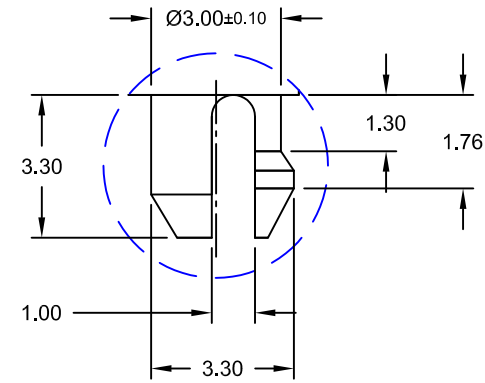
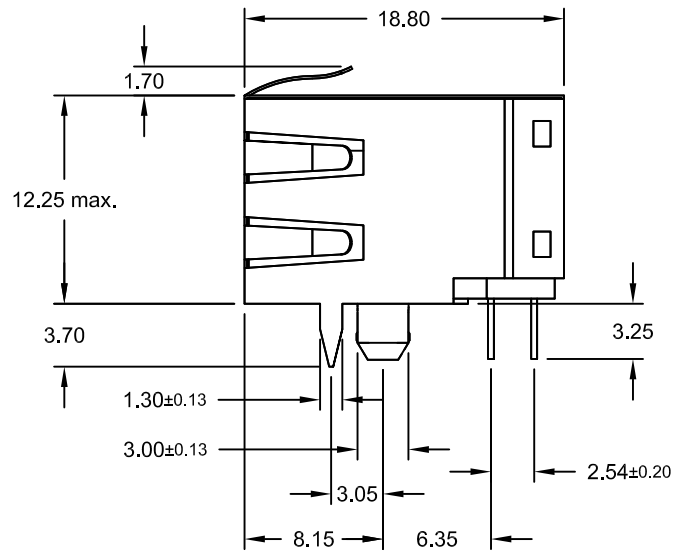
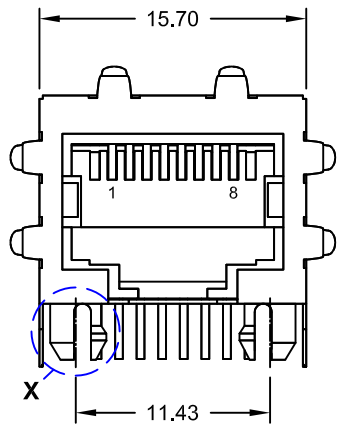
PART NUMBER	GOLD PLATING CONTACT AREA
MJS-188-S51L1-97/7CA	15μ"
MJS-188-S51L1-98/7CA	30μ"
MJS-188-S51L1-9H/7CA	50μ"

UNIT	GENERAL TOLERANCE		DRAWN	DATE	DWG. NO.	SHEET 1/1
mm	X.° ± 3°	X. ±	Ryan Chou	24.11.2014	1331513	REV. A
SCALE	.X° ±	.X0 ± 0.38	CHECK	DATE	SERIES NO.	
Free	.XX° ±	.XX ± 0.25	Ronny	24.11.2014	MJS-188-S51L1-9x/7CA	
	.XXX° ±	.XXX ±	APPROVE	DATE		
			Hogi	01.12.2014		

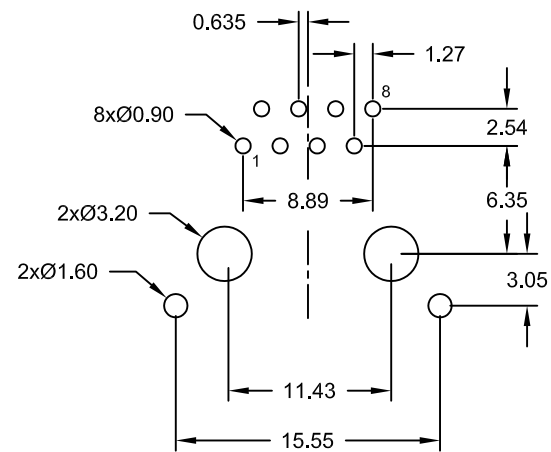
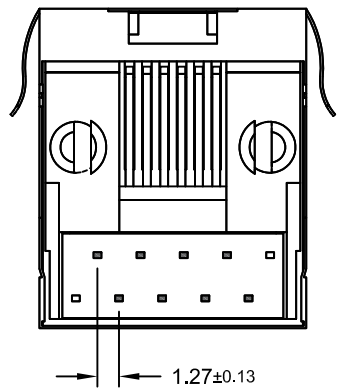
RJ45 PCB JACK <8P8C>
CAT 5 Type "Tab down"
 side entry long profile fully shielded
 with gnd. latches **Nylon Insulator**



REV.	DESCRIPTION	DATE	DRAWN
A	NEW	06.02.2015	Ronny



Detail X



Recommended PCB Hole Layout (Top View)

Specifications

Electrical

Current rating: 1.5A
 Insulation resistance: 500MΩ min. / 500V DC
 Withstanding voltage: 1000V AC rms. 60Hz / Minute
 Contact resistance: 40mΩ max. / 20mV DC

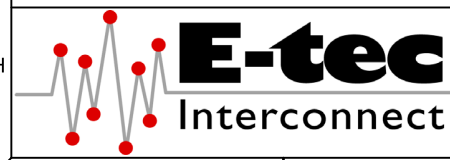
Material

Contact: Phosphor Bronze t=0.35mm
 Plating: Gold flash on solder area
 Shield: Copper Alloy t=0.20mm
 Plating: Nickel
 Insulator: PBT (black) UL 94V-0

Operating temperature: -40°C to +105°C

Cavity comply with FCC Rules and Regulations Part 68, Subpart F

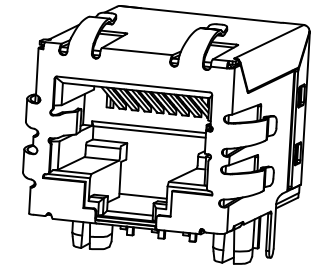
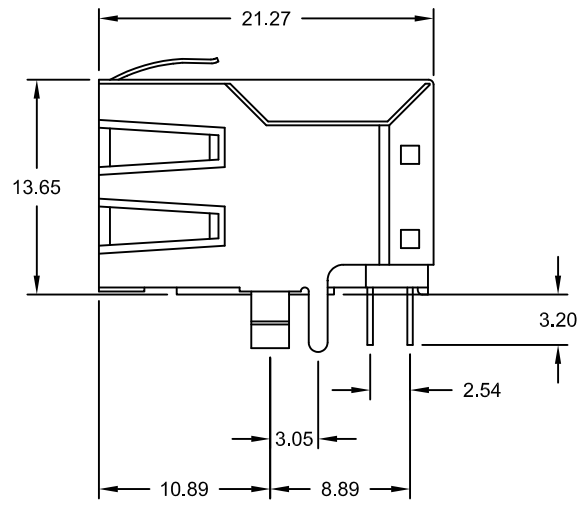
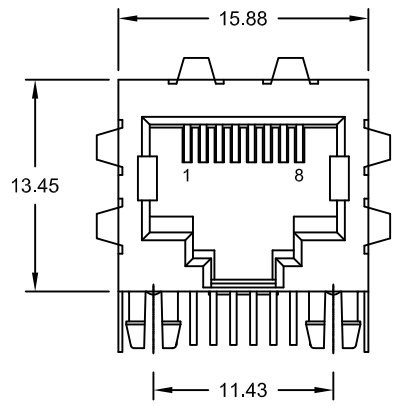
PART NUMBER	GOLD PLATING CONTACT AREA
MJS-188-D3M0-56/0CA	6μ"



UNIT	SCALE	GENERAL TOLERANCE	DRAWN	DATE	DWG. NO.	SHEET 1/1
mm	Free	X.° ±	Ronny	06.02.2015	1331514	REV. A
Free	Free	.X° ±	Oliver	06.02.2015	SERIES NO.	
Free	Free	.XX° ±	Hogi	06.02.2015	MJS-188-D3M0-xx/0CX	
Free	Free	ANG ±				

Side entry PCB JACK
RJ45 <8P8C> "TAB down"
 medium profile Type fully shielded
 with ground Latches around

REV.	DESCRIPTION	DATE	DRAWN
A	NEW	02.11.2015	Cherry



Specifications

Electrical

- Current rating: 1.5A
- Insulation resistance: 500MΩ min. @ 500V DC
- Voltage rating: 125V AC rms
- Withstanding voltage: 1000V AC rms 50Hz / Minute
- Contact resistance: 30mΩ max.

Material

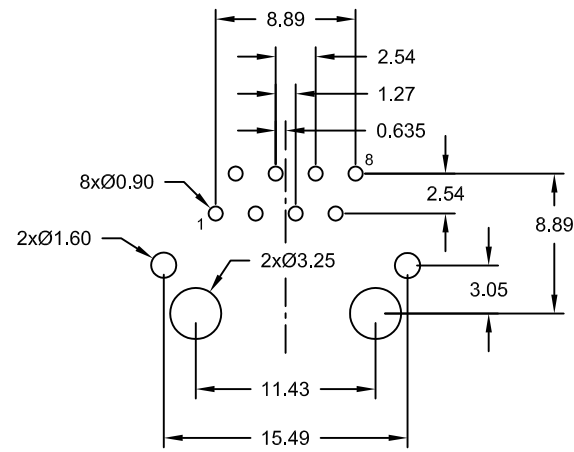
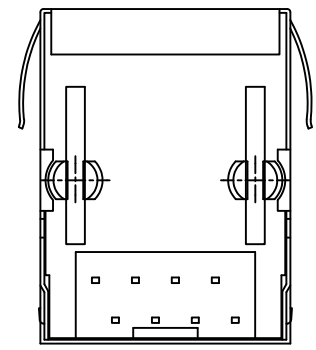
- Contact: Phosphor Bronze
- Plating: Sn on solder area, Au on contact area; entire contact Ni underplated
- Shield: Brass; Ni plated
- Insulator: PBT (black) UL 94V-0

- Storage temperature: -40°C to +85°C
- Operating temperature: 0°C to +70°C

Mechanical Requirements

- Operating Life: 750 cycles min.

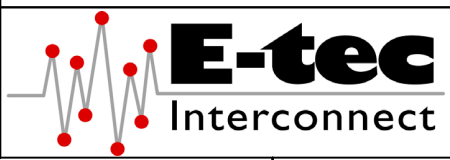
Cavity comply with FCC Rules and Regulations Part 68, Subpart F



Recommended PCB Layout Top View
(Tolerance ±0.05)

PART NUMBER	GOLD PLATING CONTACT AREA
MJS-188-D1L0-96/7CA	6μ"
MJS-188-D1L0-97/7CA	15μ"
MJS-188-D1L0-96/7CA	30μ"
MJS-188-D1L0-9H/7CA	50μ"

E-tec 2015 © - all rights reserved



UNIT	GENERAL TOLERANCE	DRAWN	DATE	DWG. NO.	SHEET 1/1
mm	X.° ± X. ±	Cherry	02.11.2015	1331517	REV. A
SCALE	.X° ± .X ±	CHECK	02.11.2015	SERIES NO.	
Free	.XX° ± .XX ± 0.25	Ronny		MJS-188-D1L0-9x/7CA	
	.XXX° ± .XXX ±	APPROVE	02.11.2015		
		Hogi			

THT Side Entry PCB Jack
RJ45 <8P8C> "Tab down"
Long profile Type
fully shielded