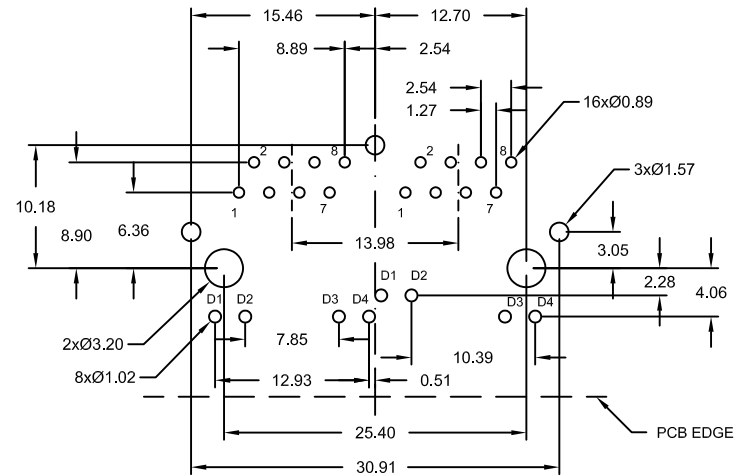
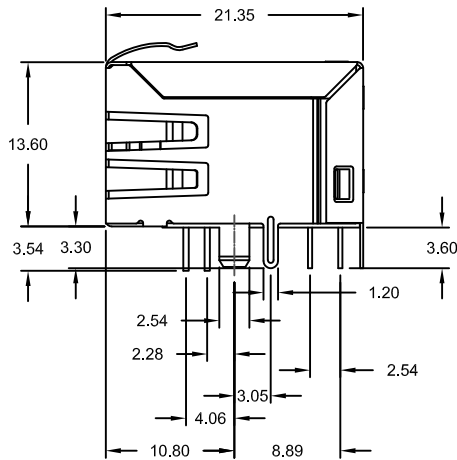
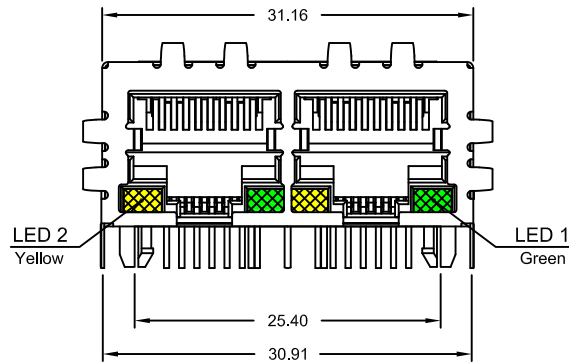
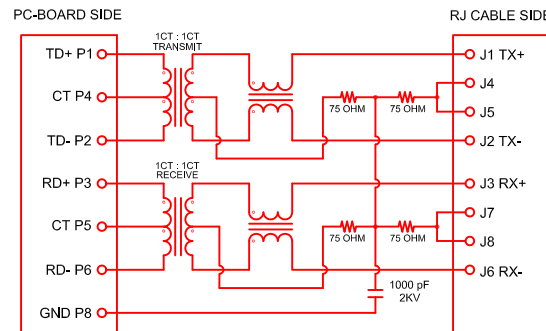


REV.	DESCRIPTION	DATE	DRAWN
A	NEW	15.08.2014	Ronny



Recommended PCB Layout Top View
(Tolerance ±0.08)

Schematic: "E" Type



SPECIFICATION

MATERIALS

Insulator: PBT UL 94V-0 (Black)
Contact: Phosphor Bronze t=0.35mm plated with Gold, and Tin in solder area
Shield: Copper Alloy t=0.25mm; Nickel plating

Operating Temperature: 0°C to +70°C

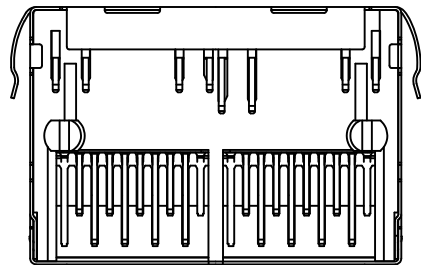
Jack Cavity confirms to FCC Rules and Registration PAR68, Subparts F



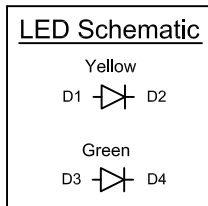
ELECTRICAL CHARACTERISTICS

Test Notes: (25°C ±5°C)

- TR: Input to output = 1:1±3%
- LX: (100KHz 100mV 8mA DC Bias) 350µH min.
- DCR: Every RJ Pair = 1.2Ω max.
- HIPOT: Input to output Pin: 1500V AC / 60 sec.
- INSERTION LOSS: -1,0dB max. @ 0.3MHz to 100MHz
- RETURN LOSS: -20dB min. @ 1MHz to 30MHz
-15dB min. @ 30MHz to 60MHz
-10dB min. @ 60MHz to 80MHz
- CROSS TALK: -30dB min. @ 1MHz to 100MHz
- COMMON TO COMMON MODE REJECTION: -30dB min. @ 1MHz to 100MHz



PART NUMBER	GOLD PLATING CONTACT AREA
MJS-288-KCLE-98/71CA	30µ"

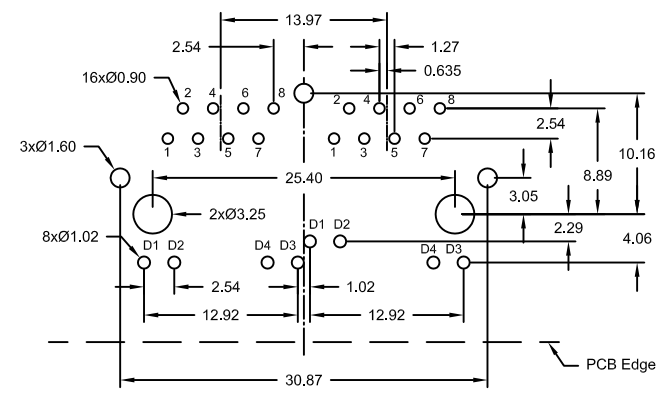
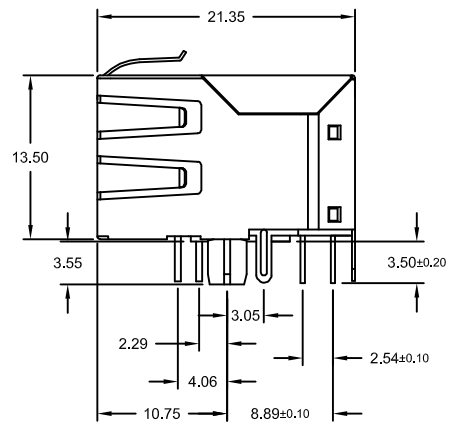
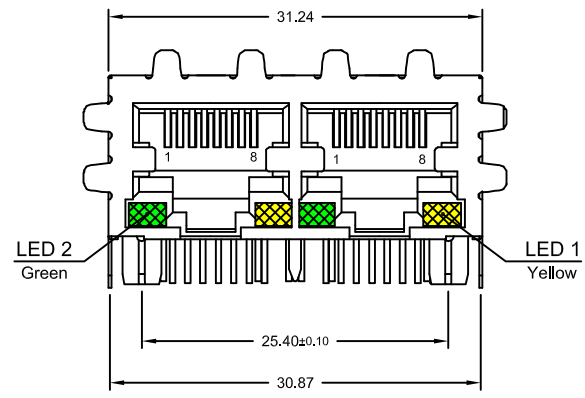


UNIT	SCALE	GENERAL TOLERANCE	DRAWN	DATE	DWG. NO.	SHEET 1/1
mm	Free	X.° ± X. ±	Ronny	15.08.2014	2342502	REV. A
		.X° ± .XX ±	Andres	15.08.2014	SERIES NO.	
		.XX° ± .XXX ±	Hogi	15.08.2014	MJS-288-KCLE-98/71CA	

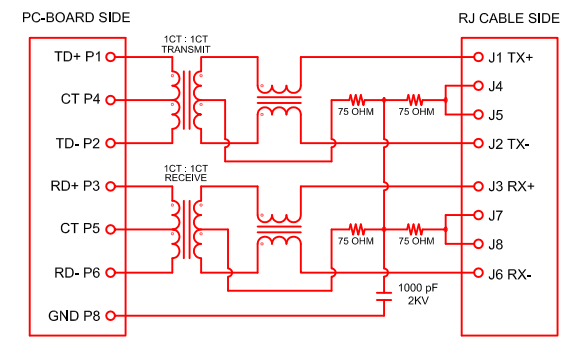
Multi Port "side by side" RJ 45 PCB JACK
2 x <8P8C> "Tab Down"
 SIDE ENTRY-LONG PROFILE TYPE with LED
 FULLY SHIELDED w GRD. LATCHES AROUND
"E" Type 10/100 Base TX Filtered



REV.	DESCRIPTION	DATE	DRAWN
A	New	21.03.2016	Ronny



Schematic: "E" Type



Recommended PCB Layout Top View
(Tolerance ±0.08)

ELECTRICAL CHARACTERISTICS

Test Notes: (25°C ±5°C)

- TR: Input to output = 1:1±3%
- LX: (100KHz 100mV 8mA DC Bias) 350µH min.
- DCR: Every RJ Pair = 1.2Ω max.
- HIPOT: Input to output Pin: 1500V AC / 60 sec.
- INSERTION LOSS: -1,2dB max. @ 0.1MHz to 100MHz
- RETURN LOSS: -18dB min. @ 1MHz to 30MHz
-14dB min. @ 30MHz to 60MHz
-12dB min. @ 60MHz to 80MHz
- CROSS TALK: -30dB min. @ 1MHz to 100MHz
- COMMON TO COMMON MODE REJECTION: -30dB min. @ 1MHz to 100MHz

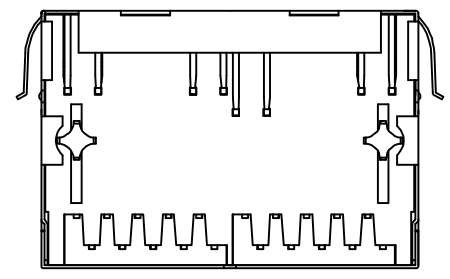


Specifications

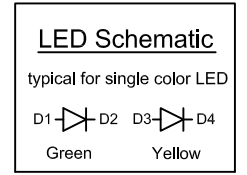
Material
Contact: Copper Alloy
Plating: Tin on solder, Gold on contact area
Shield: Copper Alloy
Plating: Ni
Insulator: Thermoplastic (black) UL 94V-0

Operating temperature: -40°C to +85°C
Storage temperature: -40°C to +85

Mechanical Requirements
Operating life: 800 cycles min.



PART NUMBER	GOLD PLATING CONTACT AREA
MJS-288-KKLE-96/84CA	6µ"
MJS-288-KKLE-98/84CA	30µ"



E-tec 2016 © - all rights reserved



UNIT	SCALE	GENERAL TOLERANCE	DRAWN	DATE	DWG. NO.	SHEET 1/1
mm	Free	X.° ± X. ±	Ronny	21.03.2016	2342503	REV. A
		.X° ± .XX ± 0.25	Oliver	21.03.2016	SERIES NO.	
		.XXX° ± .XXX ±	Hogi	21.03.2016	MJS-288-KKLE-9x/84CA	

Multi Port "side by side" RJ 45 PCB JACK
2 x <8P8C> "Tab down"
side entry - long profile Type with LED fully shielded with gnd. Latches around "E" Type 10/100 Base TX Filtered