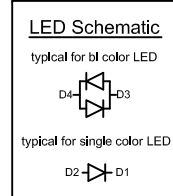
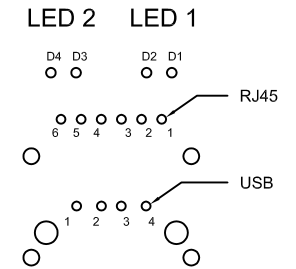
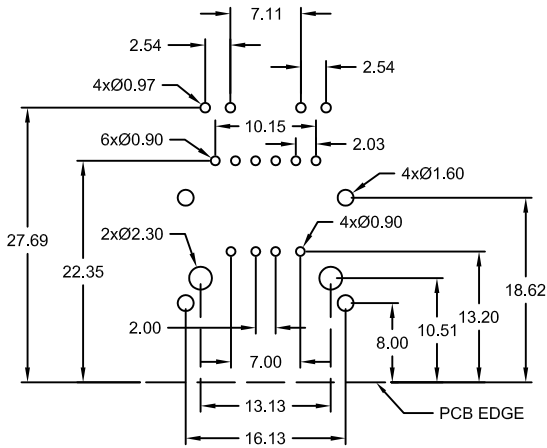
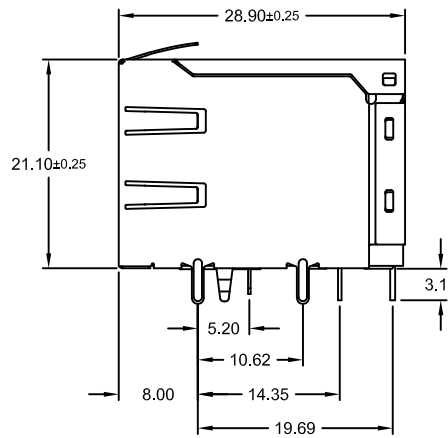
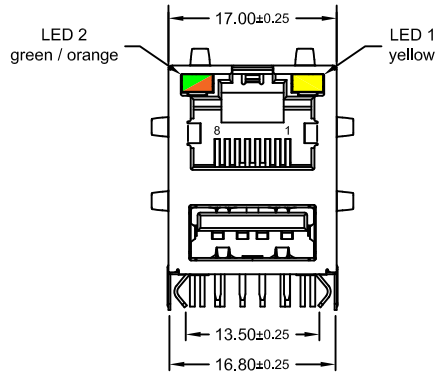
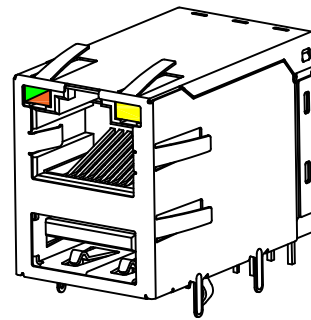
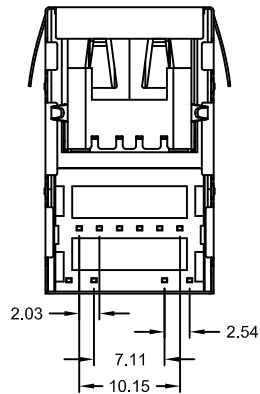


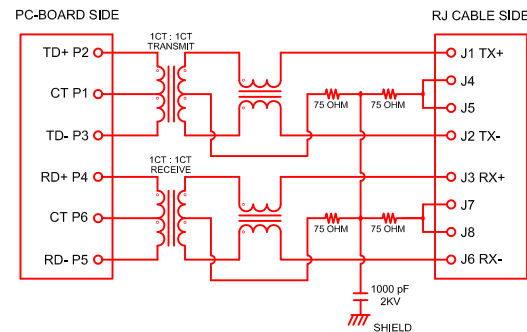
REV.	DESCRIPTION	DATE	DRAWN
A	NEW	07.09.2012	Ronny
B	correct LED option / -95xCA -> -95/NCA	10.09.2015	Ronny



Recommended PCB Hole Layout  
Top View  
(PCB Tolerance ±0.05)



Schematic: "4" Type



**ELECTRICAL CHARACTERISTICS**

Test Notes: (25°C ±5°C)

- TR: (100KHz 0.1V):  
Pins: (P2-P3):(J1-J2)=1:1±3%  
Pins: (P4-P5):(J3-J6)=1:1±3%
- LX: (100KHz 100mV 8mA DC Bias)  
Pins: (P2-P3),(P4-P5)=350µH min.
- DCR:  
Pins: (J1-J2),(J3-J6)=1.2Ω max.
- HIPOT:  
Pins: (P2,P3)to(J1,J2)=1500V AC 60s or 2250V DC 60s  
Pins: (P4,P5)to(J3,J6)=1500V AC 60s or 2250V DC 60s
- INSERTION LOSS:  
-1.0dB max. at 1MHz to 100MHz
- RETURN LOSS:  
-18dB min. at 1MHz to 30MHz load 100Ω;  
-16dB min. at 30MHz to 60MHz load 100Ω;  
-12dB min. at 60MHz to 80MHz load 100Ω;
- GROSS TALK:  
-30dB min. at 1MHz to 100MHz
- COMMON TO COMMON MODE REJECTION:  
-30dB min. at 1MHz to 100MHz

**Specifications**

**Electrical**

- RJ Contact: Phosphor Bronze t=0.35  
Plating: Sn on solder area;  
Au on contact area
- USB Contact: Phosphor Bronze t=0.25  
Plating: Sn on solder area;  
Au flash on contact area
- Shield: Brass; t=0.20
- Insulator: PBT UL 94V-0

PART NUMBER	GOLD PLATING CONTACT AREA
MJS-2U286-M0L4-95/NCA	3µ"
MJS-2U286-M0L4-96/NCA	6µ"
MJS-2U286-M0L4-97/NCA	15µ"
MJS-2U286-M0L4-9H/NCA	50µ"

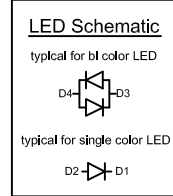
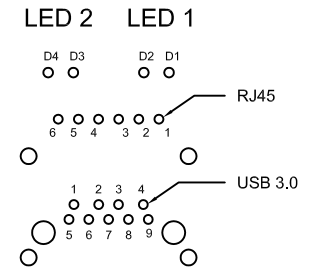
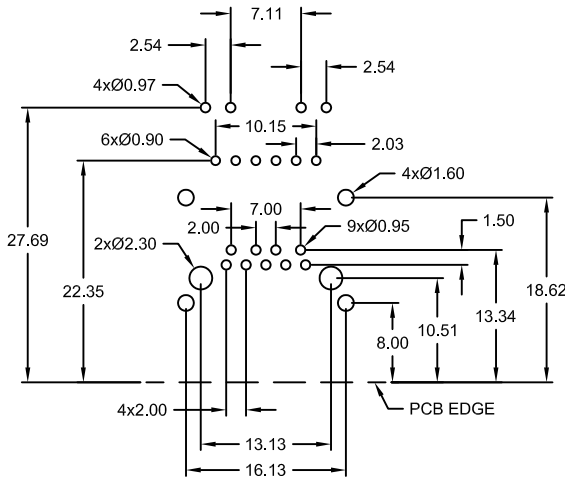
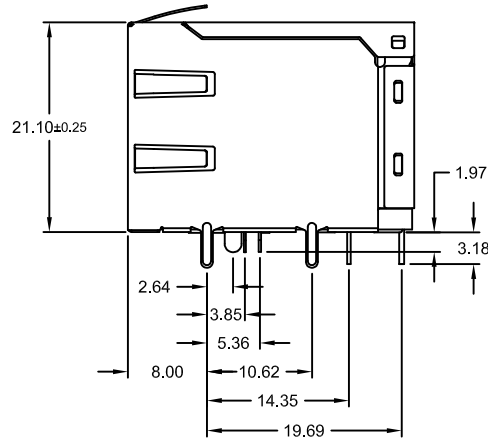
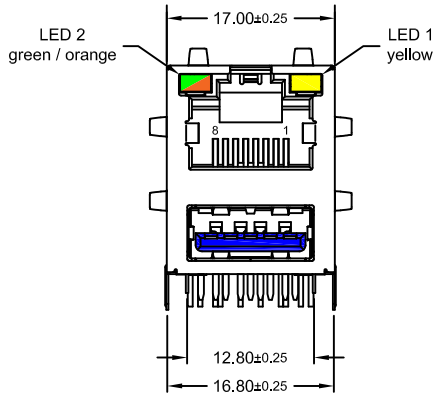
E-tec 2015 © - all rights reserved



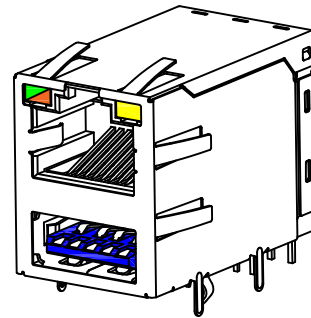
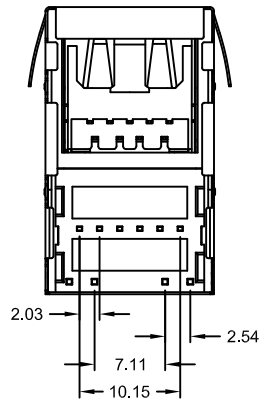
UNIT	GENERAL TOLERANCE	DRAWN	DATE	DWG. NO.	SHEET 1/1
mm	X.° ± X. ±	Ronny	07.09.2012	4342503	REV. B
SCALE	.X° ± .X ±	CHECK	DATE	SERIES NO.	
Free	.XX° ± .XX ± 0.15	Hogi	10.09.2015	MJS-2U286-M0L4-9x/NCA	
	.XXX° ± .XXX ±	APPROVE	DATE		
		Hogi	10.09.2015		

**RJ45 / USB COMBO TYPE fully shielded**  
1 x RJ45 <8P/6C> "TAB UP" with LED  
Type "4" 10/100 Mbps 4 core TX Filtered  
1 x USB "A" 2.0

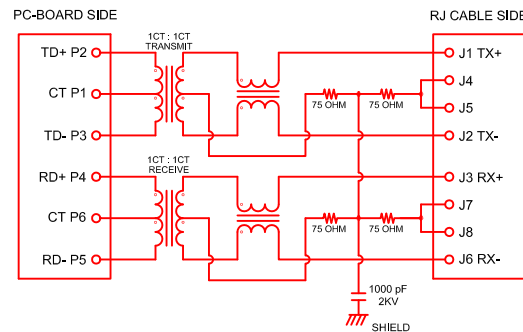
REV.	DESCRIPTION	DATE	DRAWN
A	NEW	10.09.2012	Ronny
B	correct LED option / -95xCA -> -95/NCA	10.09.2015	Ronny



Recommended PCB Hole Layout  
Top View  
(PCB Tolerance ±0.05)



Schematic: "4" Type



**ELECTRICAL CHARACTERISTICS**

Test Notes: (25°C ±5°C)

- TR: (100KHz 0.1V);  
Pins: (P2-P3):(J1-J2)=1:1±3%  
Pins: (P4-P5):(J3-J6)=1:1±3%
- LX: (100KHz 100mV 8mA DC Bias)  
Pins: (P2-P3),(P4-P5)=350µH min.
- DCR:  
Pins: (J1-J2),(J3-J6)=1.2Ω max.
- HIPOT:  
Pins: (P2,P3)to(J1,J2)=1500V AC 60s or 2250V DC 60s  
Pins: (P4,P5)to(J3,J6)=1500V AC 60s or 2250V DC 60s
- INSERTION LOSS:  
-1.0dB max. at 1MHz to 100MHz
- RETURN LOSS:  
-18dB min. at 1MHz to 30MHz load 100Ω;  
-16dB min. at 30MHz to 60MHz load 100Ω;  
-12dB min. at 60MHz to 80MHz load 100Ω;
- CROSS TALK:  
-30dB min. at 1MHz to 100MHz
- COMMON TO COMMON MODE REJECTION:  
-30dB min. at 1MHz to 100MHz

**Specifications**

**Electrical**

- RJ Contact: Phosphor Bronze t=0.35  
Plating: Sn on solder area;  
Au on contact area
- USB Contact: Phosphor Bronze t=0.25  
Plating: Sn on solder area;  
Au flash on contact area
- Shield: Brass; t=0.20
- Insulator: PBT UL 94V-0

PART NUMBER	GOLD PLATING CONTACT AREA
MJS-2U386-MOL4-95/NCA	3µ"
MJS-2U386-MOL4-96/NCA	6µ"
MJS-2U386-MOL4-97/NCA	15µ"
MJS-2U386-MOL4-9H/NCA	50µ"

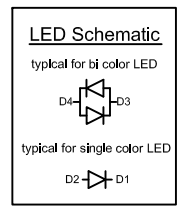
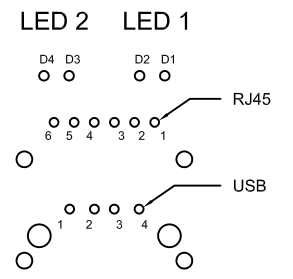
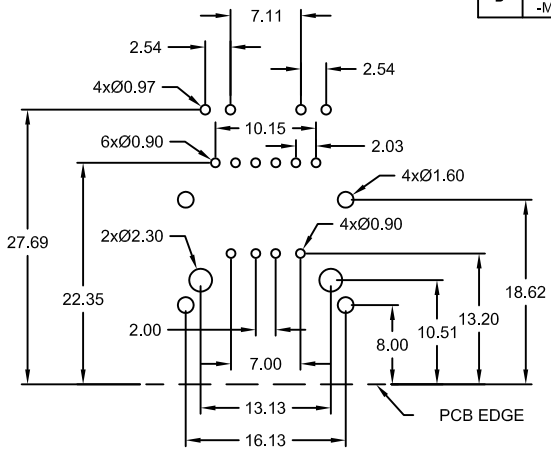
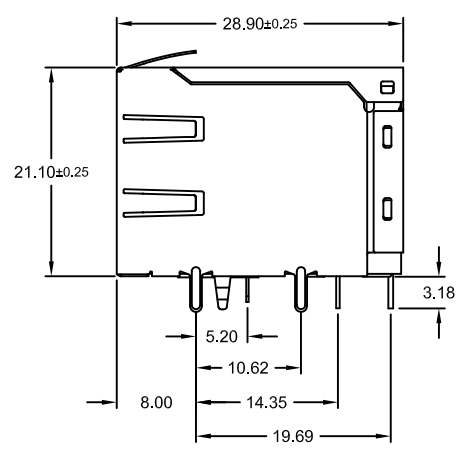
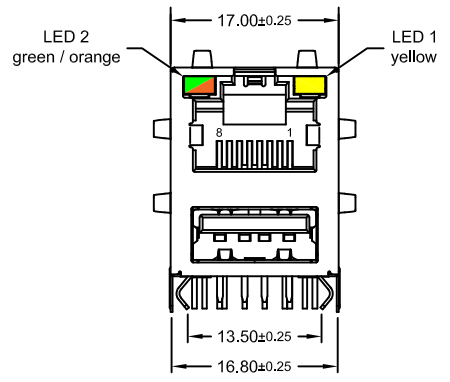
E-tec 2015 © - all rights reserved



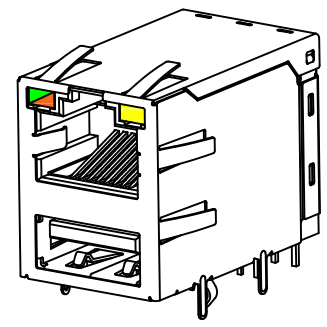
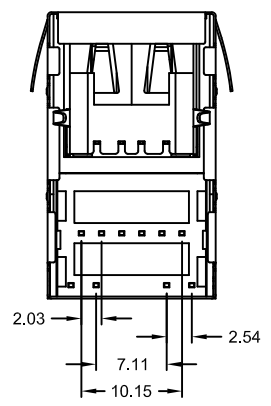
UNIT	mm	GENERAL TOLERANCE		DRAWN	DATE	DWG. NO.	SHEET 1/1
SCALE	Free	X.° ±	X. ±	Ronny	10.09.2012	4342504	REV. B
		.X° ±	.X ±	Ronny	10.09.2015	SERIES NO.	
		.XX° ±	.XX ± 0.15	Hogi	10.09.2015	MJS-2U386-MOL4-9x/NCA	
		.XXX° ±	.XXX ±				

**RJ45 / USB COMBO TYPE fully shielded**  
**1 x RJ45 <span style='color: green;'>8P/6C</span> "TAB UP" with LED**

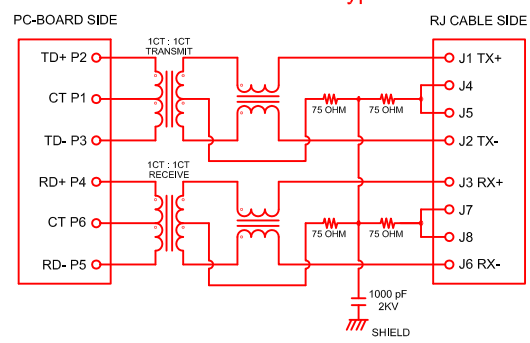
REV.	DESCRIPTION	DATE	DRAWN
A	NEW	03.06.2009	Lyndon
B	P/N: -MOL0-9xE4CA -> -MOL4x-9xxCA	05.12.2011	Ronny
C	New DWG. No.	01.02.2012	Ronny
D	correct USB Type and LED option -MOL4x-95xCA -> -MOL4-95/NCA	10.09.2015	Ronny



Recommended PCB Hole Layout  
Top View  
(PCB Tolerance ±0.05)



Schematic: "4" Type



**Specifications**  
**Electrical**

- RJ Contact: Phosphor Bronze t=0.35  
Plating: Sn on solder area;  
Au on contact area
- USB Contact: Phosphor Bronze t=0.25  
Plating: Sn on solder area;  
Au flash on contact area
- Shield: Brass; t=0.20
- Insulator: PBT UL 94V-0

**ELECTRICAL CHARACTERISTICS**

- Test Notes: (25°C ±5°C)
- TR: (100KHz 0.1V);  
Pins: (P2-P3):(J1-J2)=1:1±3%  
Pins: (P4-P5):(J3-J6)=1:1±3%
  - LX: (100KHz 100mV 8mA DC Bias)  
Pins: (P2-P3),(P4-P5)=350µH min.
  - DCR:  
Pins: (J1-J2),(J3-J6)=1.2Ω max.
  - HIPOT:  
Pins: (P2,P3)to(J1,J2)=1500V AC 60s or 2250V DC 60s  
Pins: (P4,P5)to(J3,J6)=1500V AC 60s or 2250V DC 60s
  - INSERTION LOSS:  
-1.0dB max. at 1MHz to 100MHz
  - RETURN LOSS:  
-18dB min. at 1MHz to 30MHz load 100Ω;  
-16dB min. at 30MHz to 60MHz load 100Ω;  
-12dB min. at 60MHz to 80MHz load 100Ω;
  - CROSS TALK:  
-30dB min. at 1MHz to 100MHz
  - COMMON TO COMMON MODE REJECTION:  
-30dB min. at 1MHz to 100MHz

PART NUMBER	GOLD PLATING CONTACT AREA
MJS-2U86-MOL4-95/NCA	3µ"
MJS-2U86-MOL4-96/NCA	6µ"
MJS-2U86-MOL4-97/NCA	15µ"
MJS-2U86-MOL4-9H/NCA	50µ"

E-tec 2015 © - all rights reserved



UNIT	GENERAL TOLERANCE	DRAWN	DATE	DWG. NO.	SHEET 1/1
mm	X.° ± X. ±	Lyndon	03.06.2009	4342500	REV. D
SCALE Free	.X° ± .XX ± 0.15	CHECK Ronny	10.09.2015	SERIES NO.	
	.XXX° ± .XXX ±	APPROVE Hogi	10.09.2015	MJS-2U86-MOL4-9x/NCA	

**RJ45 / USB COMBO TYPE fully shielded**  
1 x RJ45 <span style="color: green;">8P/6C> "TAB UP" with LED  
Type "4" 10/100 Mbps 4 core TX Filtered  
1 x USB "A" 1.1