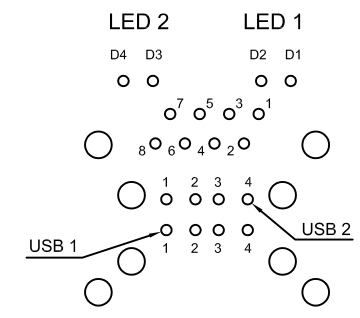
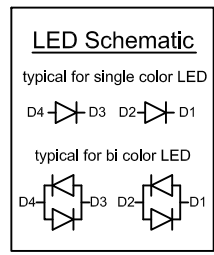
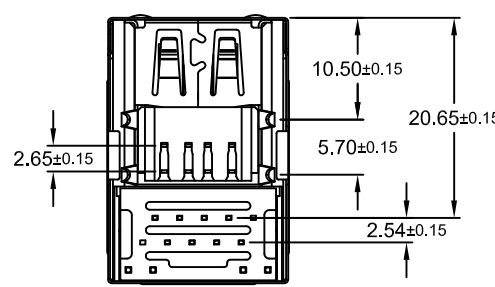
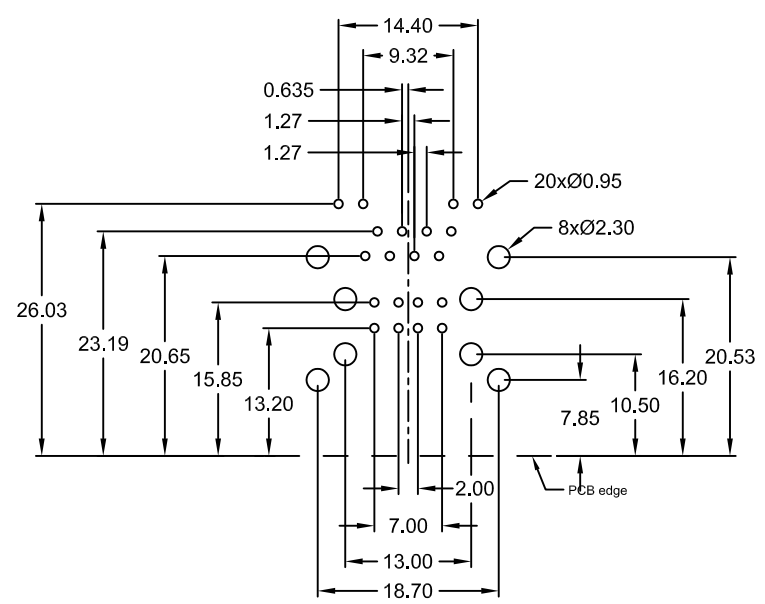
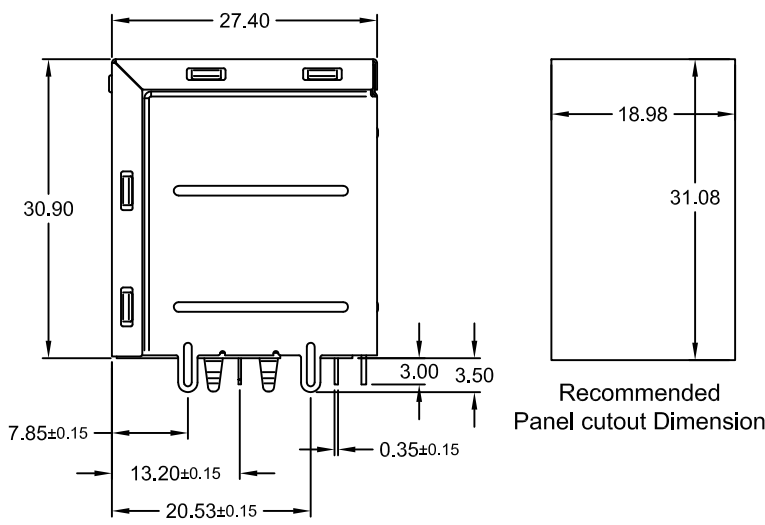
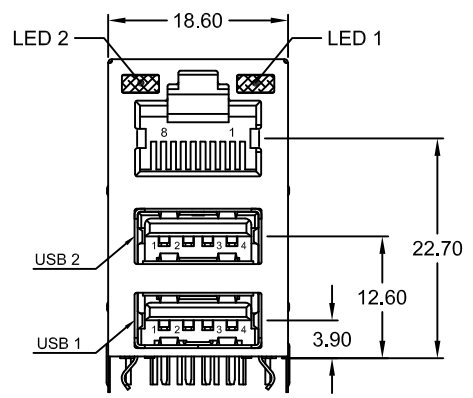


| REV. | DESCRIPTION    | DATE       | DRAWN |
|------|----------------|------------|-------|
| A    | New            | 06.12.2006 | RH    |
| B    | New DWG. No.   | 01.02.2012 | Ronny |
| C    | general update | 20.12.2016 | Ronny |



Recommended PCB Layout Top View  
 (Tolerance ±0.05)

Replace "X" with  
 LED Color Options

|   | LED Color Options |              |
|---|-------------------|--------------|
|   | LED 2             | LED 1        |
| 1 | YELLOW            | GREEN        |
| 2 | NO LED            | GREEN        |
| 3 | GREEN             | NO LED       |
| 4 | GREEN             | YELLOW       |
| 5 | GREEN             | GREEN        |
| 6 | YELLOW            | YELLOW       |
| 7 | ORANGE/GREEN      | ORANGE/GREEN |
| 8 | YELLOW/GREEN      | YELLOW/GREEN |
| 9 | RED               | NO LED       |

| PART NUMBER           | GOLD PLATING CONTACT AREA |
|-----------------------|---------------------------|
| MJS-3U88-S0L0-96/ExCS | 6µ"                       |



**Specifications**

**Electrical**  
 Current rating: 1.5A  
 Insulation resistance: 500MΩ min.  
 Contact resistance: 50mΩ max.  
 Withstanding voltage: 500V AC / 1 Minute

**Material**

Contact: Phosphor Bronze  
 Plating: Sn on solder area;  
 Au on contact area  
 Shield: Brass  
 Plating: Ni  
 Insulator RJ45: PBT (black) UL 94V-0  
 Insulator USB: PBT (black) UL 94V-0  
 Operating temperature: -45°C to +85°C  
 Cavity comply with FCC Rules and Regulations  
 Part 68, Subpart F

E-tec 2016 © - all rights reserved



| UNIT | SCALE | GENERAL TOLERANCE | DRAWN | DATE       | DWG. NO.              | SHEET 1/1 |
|------|-------|-------------------|-------|------------|-----------------------|-----------|
| mm   | Free  | X.° ±             | RH    | 06.12.2006 | 4341500               | REV. C    |
|      |       | .X° ±             | Ronny | 20.12.2016 |                       |           |
|      |       | .XX° ±            |       |            |                       |           |
|      |       | .XXX° ±           | Hogi  | 20.12.2016 |                       |           |
|      |       |                   |       |            | SERIES NO.            |           |
|      |       |                   |       |            | MJS-3U88-S0L0-9x/ExCS |           |

**RJ45 / USB Combo Type with LED**  
 1 x RJ45 <8P/8C>  
 2 x USB "A" 1.x  
 fully shielded