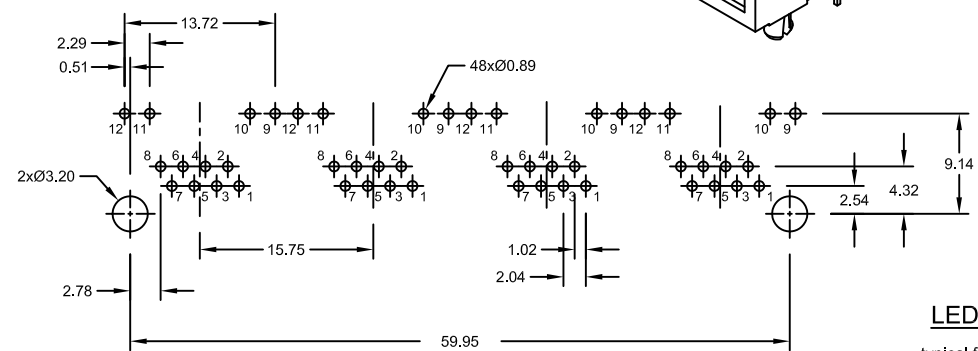
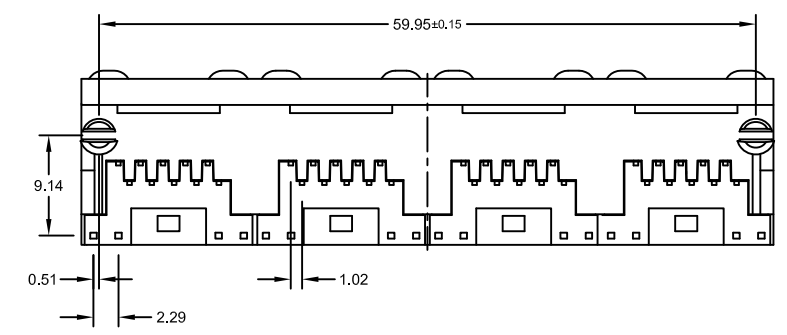
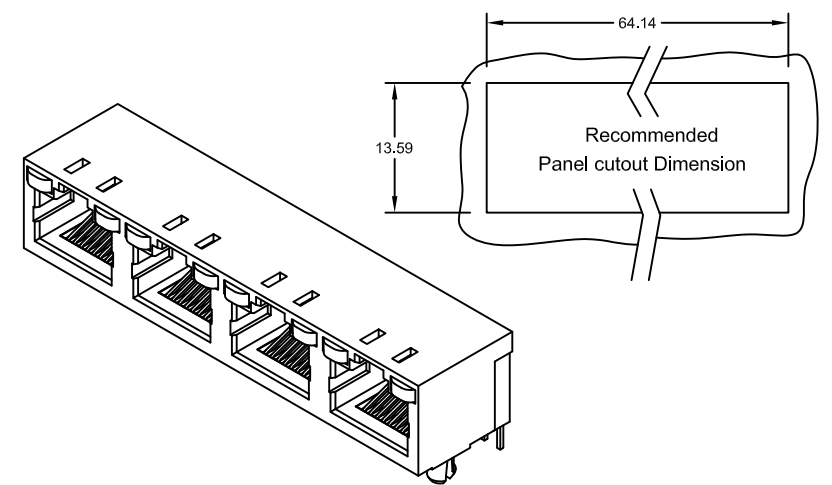
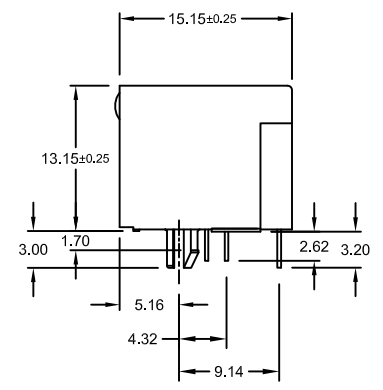
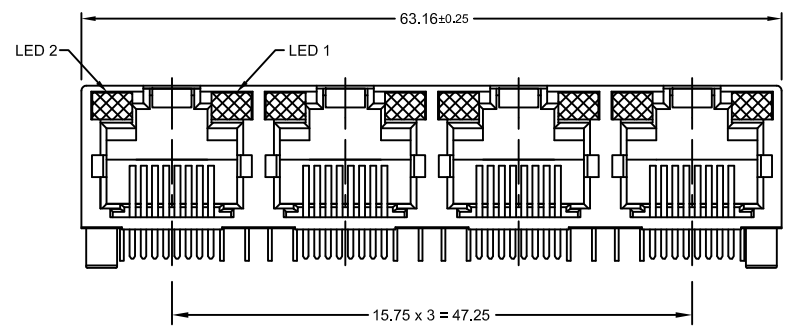


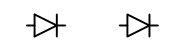
REV.	LOCAS.	DESCRIPTION	DATE	DRAWN
A		NEW	02.03.2009	Ronny
B		P/N L3046-9x/x -> L1S0-9x/x	05.01.2012	Ronny
C		correct RJ type RJ45 -> RJ50 & New DWG. No.	01.02.2012	Ronny
D		New DWG. No. 2321500 -> 2321600 & update	12.04.2012	Ronny



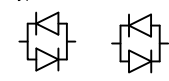
Recommended PCB Layout (Top View)

LED Schematic

typical for single color LED



typical for bi color LED



SPECIFICATION

- ELECTRICAL**
 Insulation Resistance - 500MΩ min.
 Contact Resistance - 50mΩ max.
 Withstanding Voltage - 1000V AC 1 Minute
 Current Rating - 1.5A
- MATERIAL:**
 Housing - PBT UL 94V-0 (black)
 Contact - PhBz; Sn/Au plated

- Operating life: 750 Cycles min.
- Temperature range: -40°C to +85°C
- Cavity conform to FCC Rules and Registration PAR68, Subparts F

Replace "x" with LED Color Options

LED Color Options		
LED 2	LED 1	
1	YELLOW	GREEN
2	NO LED	GREEN
3	GREEN	NO LED
4	GREEN	YELLOW
5	GREEN	GREEN
6	YELLOW	YELLOW
7	ORANGE/GREEN	ORANGE/GREEN
8	YELLOW/GREEN	YELLOW/GREEN
9	RED	NO LED
A	GREEN/YELLOW	GREEN/YELLOW
B	RED/GREEN	RED/GREEN
C	RED/GREEN	GREEN/YELLOW
D	GREEN	GREEN/YELLOW
E	YELLOW	GREEN/YELLOW

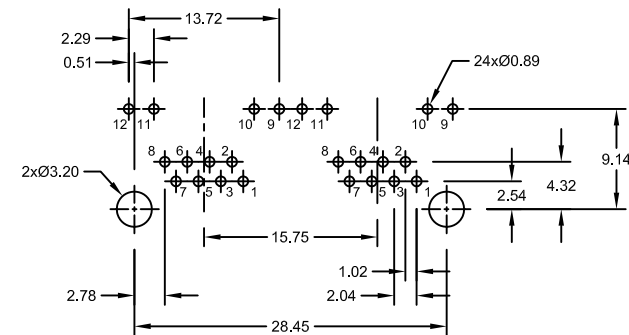
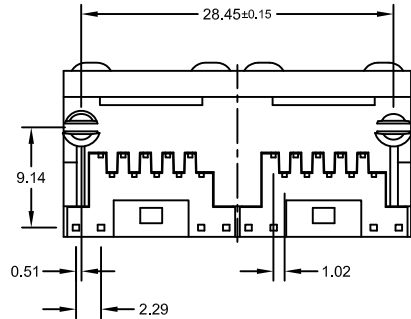
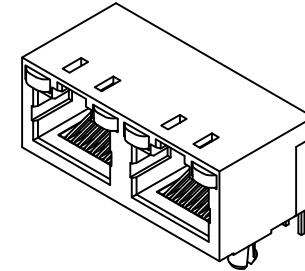
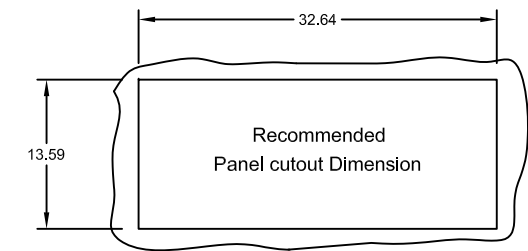
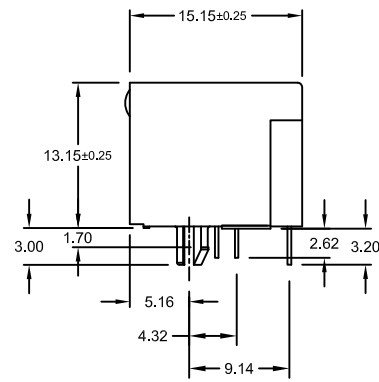
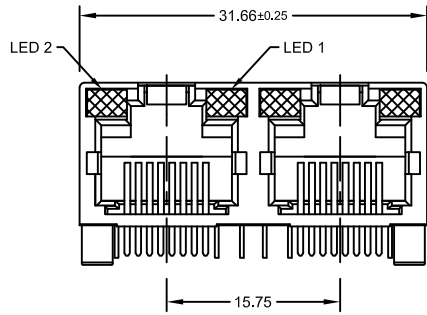
PART NUMBER	GOLD PLATING CONTACT AREA
MJS-408-L1S0-96/x	6μ"
MJS-408-L1S0-97/x	15μ"
MJS-408-L1S0-98/x	30μ"
MJS-408-L1S0-9H/x	50μ"



UNIT	mm	GENERAL TOLERANCE		DRAWN	RONNY	DATE	02.03.2009	DWG. NO.	2321600	SHEET 1/1
SCALE	Free	X.° ±	X ±	CHECK	RONNY	DATE	12.04.2012	SERIES NO.	MJS-408-L1S0-9x/x	REV. D
		.X° ±	.X ± 0.38	APPROVE	HOGI	DATE	12.04.2012			
		.XX° ±	.XX ± 0.25							
		Ang. ±	.XXX ± 0.13							

Multi Port "side by side" RJ 50 PCB JACK
4 x <10P8C> "TAB UP"
 side entry - short profile Type with LED
NON shielded

REV.	LOCAS.	DESCRIPTION	DATE	DRAWN
A		Release	03.04.2012	Ryan Chou
B		New DWG. No. & update	13.04.2012	Ronny



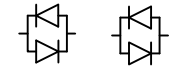
Recommended PCB Layout (Top View)

LED Schematic

typical for single color LED



typical for bi color LED



SPECIFICATION

- ELECTRICAL**
 Insulation Resistance - 500MΩ min.
 Contact Resistance - 50mΩ max.
 Withstanding Voltage - 1000V AC 1 Minute
 Current Rating - 1.5A
- MATERIAL:**
 Housing - PBT UL 94V-0 (black)
 Contact - PhBz; Sn/Au plated

- Operating life: 750 Cycles min.
- Temperature range: -40°C to +85°C
- Cavity conform to FCC Rules and Registration PAR68, Subparts F

Replace "x" with LED Color Options

LED Color Options	
LED 2	LED 1
1	YELLOW GREEN
2	NO LED GREEN
3	GREEN NO LED
4	GREEN YELLOW
5	GREEN GREEN
6	YELLOW YELLOW
7	ORANGE/GREEN ORANGE/GREEN
8	YELLOW/GREEN YELLOW/GREEN
9	RED NO LED
A	GREEN/YELLOW GREEN/YELLOW
B	RED/GREEN RED/GREEN
C	RED/GREEN GREEN/YELLOW
D	GREEN GREEN/YELLOW
E	YELLOW GREEN/YELLOW

PART NUMBER	GOLD PLATING CONTACT AREA
MJS-208-L1S0-96/x	6μ"
MJS-208-L1S0-97/x	15μ"
MJS-208-L1S0-98/x	30μ"
MJS-208-L1S0-9H/x	50μ"



UNIT	mm	GENERAL TOLERANCE		DRAWN	RONNY	DATE	02.03.2009	DWG. NO.	2321601	SHEET 1/1
SCALE	Free	.X° ±	X ±	CHECK	RONNY	DATE	12.04.2012	SERIES NO.	MJS-208-L1S0-9x/x	REV. B
		.XX° ±	.XX ± 0.38	APPROVE	HOGI	DATE	12.04.2012			
		.XX° ±	.XX ± 0.25							
		Ang. ±	.XXX ± 0.13							

Multi Port "side by side" RJ 50 PCB JACK
2 x <10P8C> "TAB UP"
 side entry - short profile Type with LED
NON shielded