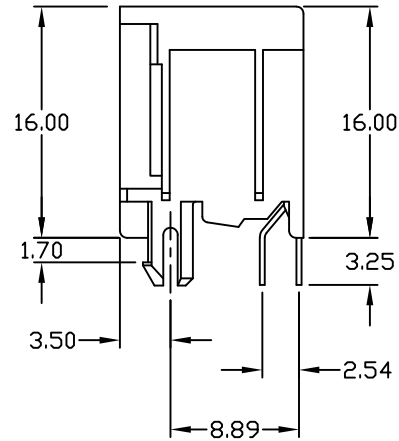
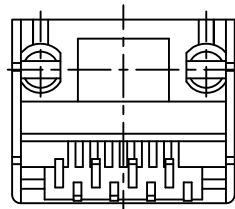
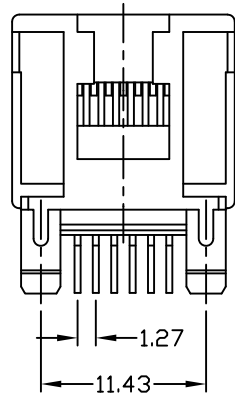
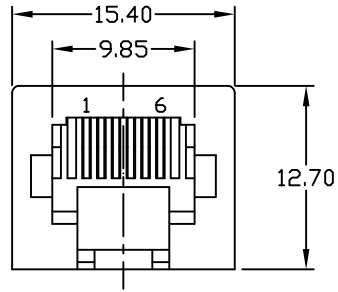
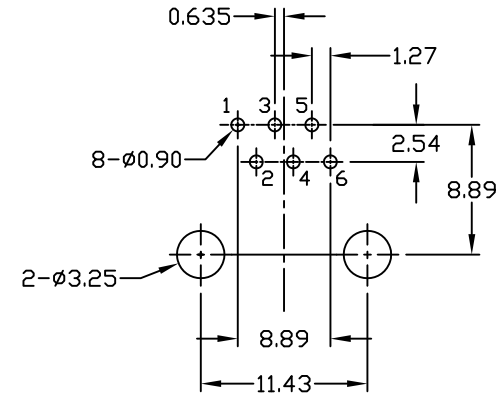


REV.	LOCAS.	DESCRIPTION	DATE	DRAWN
A		New	06.11.2008	Vinson
B		update description	08.02.2011	Ronny
C		New DWG. No.	01.02.2012	Ronny



RECOMMENDED HOLE PATTERN
TOP VIEW



SPECIFICATIONS

Current rating:	1.5A
Insulation resistance:	500MΩ min./500V DC
Dielectric withstanding:	1000V rms 60Hz/Minute
Contact resistance:	40mΩ max./20mV DC
Operating temperature:	-40°C ~ +105°C
Insulator material:	P.B.T. UL 94V-0 color: Black
Contact material:	Phosphor Bronze
Finish:	Gold plated on contact area, Tin on solder area

PART NUMBER	GOLD PLATING CONTACT AREA
MJT-166-S1S0-96	6μ"
MJT-166-S1S0-97	15μ"
MJT-166-S1S0-98	30μ"
MJT-166-S1S0-9H	50μ"



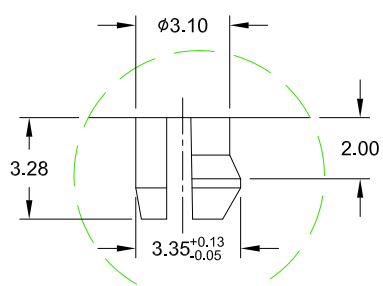
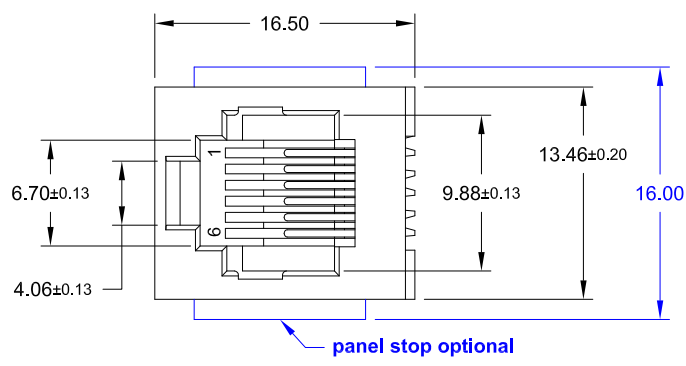
Cavity conforms to FCC Rules and Registration PAR68, Subparts F



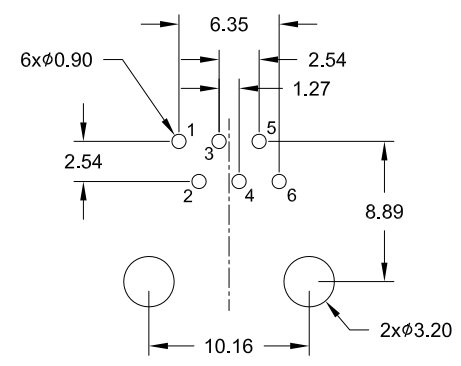
UNIT	mm	GENERAL TOLERANCE		DRAWN	DATE	DWG. NO.	SHEET 1/1
SCALE	Free	X.° ±	X ± 0.50	Vinson	15.03.1993	1411300	REV. C
		.X° ±	.X ± 0.38	CHECK	DATE	SERIES NO.	
		.XX° ±	.XX ± 0.25	Jerry	01.02.2012	MJT-166-S1S0-9x	
		ANG. ± 3°	.XXX ± 0.10	APPROVE	DATE		
				Hogi	01.02.2012		

TOP ENTRY RJ12 PCB JACK <6P6C>
LOW PROFILE TYPE NON SHIELDED

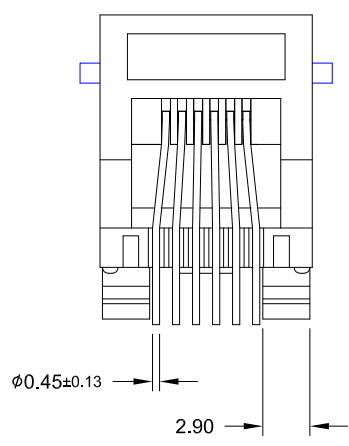
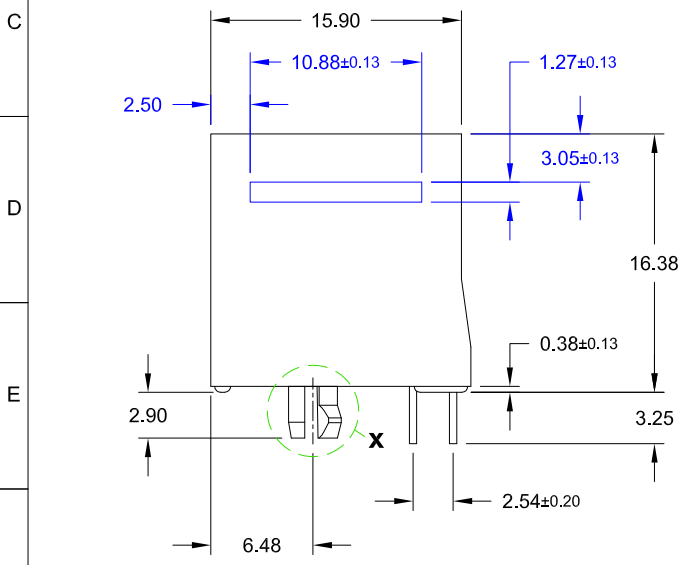
REV.	DESCRIPTION	DATE	DRAWN
A	New	03.11.2014	Ryan
B	Add "55" code	30.06.2016	Cherry



Detail X



Recommended PCB Hole Layout Top View
(Tolerance ±0.05)



Specifications

Electrical

- Current rating: 1.5A
- Insulation resistance: 500MΩ min. @500V DC
- Contact resistance: 40mΩ max. @20mV DC
- Withstanding voltage: 1000V rms 60Hz / Minute

Material

- Contact: Phosphor Bronze
- Plating: Au flash on solder area
entire contact Ni underplated
- Insulator: PBT (black) UL 94V-0

Operating temperature: -40°C to +105°C

Cavity conforms to FCC rules and regulations
Part 68, Subpart F

PART NUMBER <i>WITHOUT PANEL STOP</i>	PART NUMBER <i>WITH PANEL STOP</i>	GOLD PLATING CONTACT AREA
MJT-166-S3S0-55	MJS-166-S3S30-55	flash
MJT-166-S3S0-56	MJS-166-S3S30-56	6μ"
MJT-166-S3S0-57	MJS-166-S3S30-57	15μ"
MJT-166-S3S0-58	MJS-166-S3S30-58	30μ"
MJT-166-S3S0-5H	MJS-166-S3S30-5H	50μ"

E-tec 2016 © - all rights reserved



UNIT	SCALE	GENERAL TOLERANCE	DRAWN	DATE	DWG. NO.	SHEET 1/1
mm	Free	X.° ±	Ryan	03.11.2014	1411301	REV. B
		.XX° ±	Ronny	30.06.2016	SERIES NO.	
		.XXX° ±	Hogi	30.06.2016	MJT-166-S3Sx0-xx	

Top Entry PCB Jack
RJ12 <6P6C> NON shielded
with & without panel stop