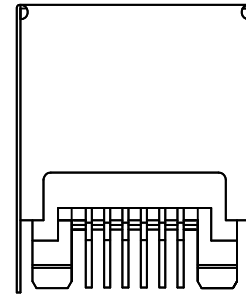
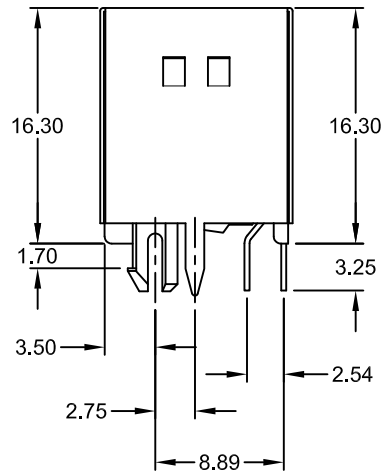
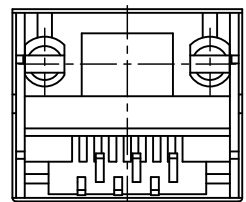
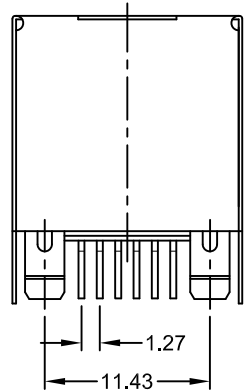
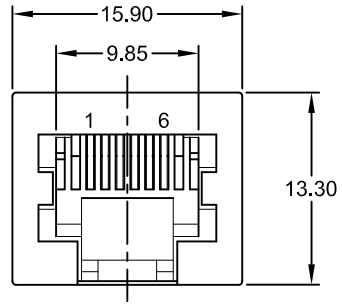
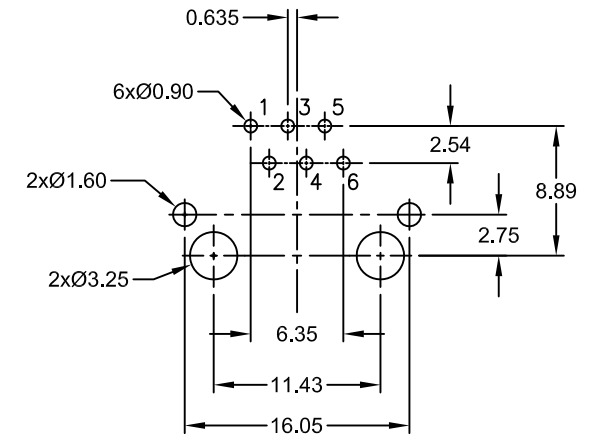


REV.	LOCAS.	DESCRIPTION	DATE	DRAWN
A		Release	02.05.2011	RH
B		New DWG. No. / update	19.07.2012	Ronny



Reommeded PCB Layout  
Top View



### Materials

Contact: Phosphor Bronze  
 Plating: Tin on solder area  
 Gold on contact area  
 Insulator: PBT UL 94V-0 (Black)  
 Shield: Brass; Ni plated

Operating temperature: -40°C to +105°C

Cavity confirms to FCC Rules and Registration PAR68, Subparts F

### Specifications

Current rating: 1.5A  
 Insulation resistance: 500MΩ min./500V DC  
 Withstanding voltage: 1000V rms 60Hz/Minute  
 Contact resistance: 40mΩ max./20mV DC

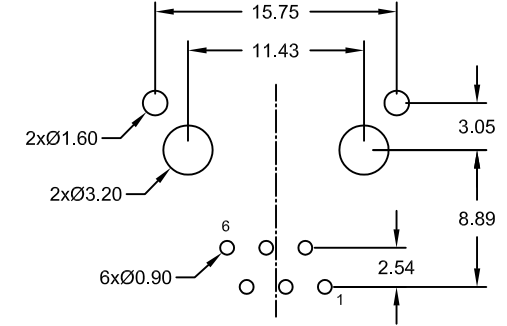
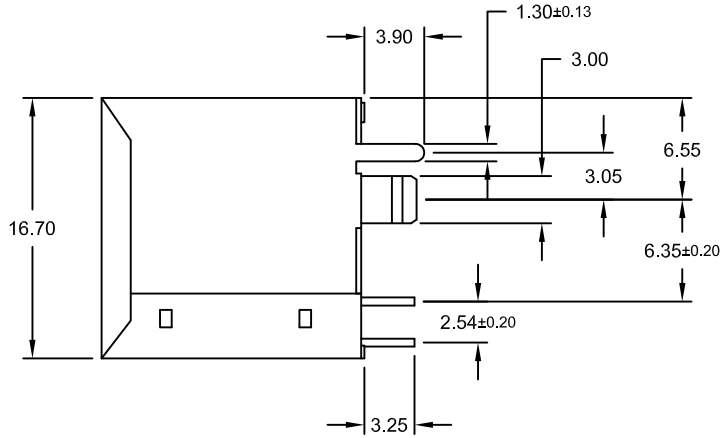
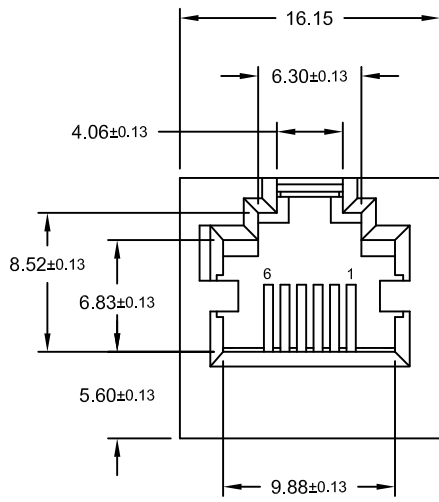
PART NUMBER	GOLD PLATING CONTACT AREA
MJT-166-S1S0-96/KCS	6μ"
MJT-166-S1S0-97/KCS	15μ"
MJT-166-S1S0-98/KCS	30μ"
MJT-166-S1S0-9H/KCS	50μ"

UNIT	SCALE	GENERAL TOLERANCE	DRAWN	DATE	DWG. NO.	SHEET 1/1
mm	Free	X.° ± X. ± 0.50	RH	02.05.2011	1431300	
		.XX° ± .XX ± 0.38	Ronny	19.07.2012		REV. B
		.XXX° ± .XXX ± 0.10	Hogi	19.07.2012	SERIES NO. MJT-166-S1S0-9x/KCS	

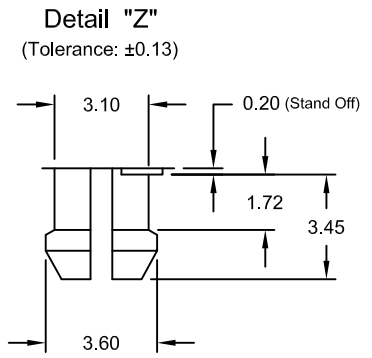
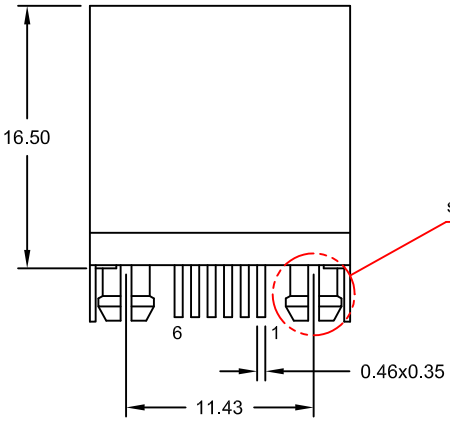
**TOP ENTRY RJ12 PCB JACK <6P6C>**  
 SHORT PROFILE TYPE  
 FULLY SHIELDED



REV.	DESCRIPTION	DATE	DRAWN
A	New	31.03.2013	RH
B	PN -S146-xx/OCS -> -S3S0-xx/LCS	03.07.2013	Ronny
C	general update	02.11.2016	Ronny



Recommended PCB Layout  
(Top View)  
Tolerance: ±0.05



**Material**

Contact: Phosphor Bronze  
Plating: solder area Au flash  
contact area hard Au as per code  
Shield: Brass  
Plating: Ni 50µ" min.  
Housing: PBT UL 94V-0 (Black)  
Insert: PA46 UL 94V-0 (Black)

Operating temperature: -25°C to +90°C

Cavity comply with FCC Rules and Regulations  
Part 68, Subpart F

**Specifications**

**Electrical**  
Current rating: 1.5 max.  
Insulation resistance: 500MΩ min.  
Contact resistance: 20mΩ max.  
Voltage rating: 120V AC  
Withstanding voltage: 1000V AC rms 60 sec. min.

PART NUMBER	GOLD PLATING CONTACT AREA
MJT-166-S3S0-56/LCS	6µ"
MJT-166-S3S0-57/LCS	15µ"
MJT-166-S3S0-58/LCS	30µ"
MJT-166-S3S0-5H/LCS	50µ"

E-tec 2016 © - all rights reserved



UNIT	GENERAL TOLERANCE		DRAWN	DATE	DWG. NO.	SHEET 1/1
mm	X.° ±	X. ±	RH	31.03.2013	1431301	REV. C
SCALE	.X° ±	.X ±	CHECK	26.10.2016	SERIES NO.	
Free	.XX° ±	.XX ± 0.25	APPROVE	02.11.2016	MJT-166-S3S0-xx/LCS	
	.XXX° ±	.XXX ±	Hogi			

**Top Entry PCB Jack**  
RJ12 <6P/6C>  
fully shielded