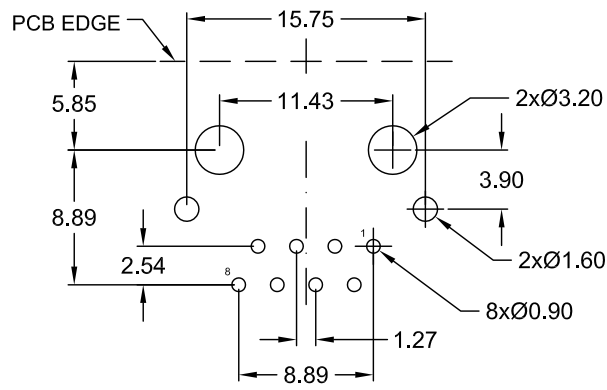
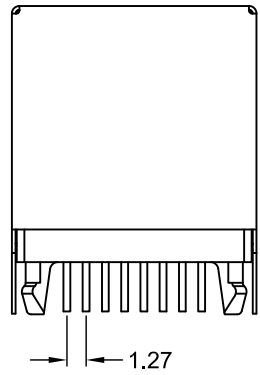
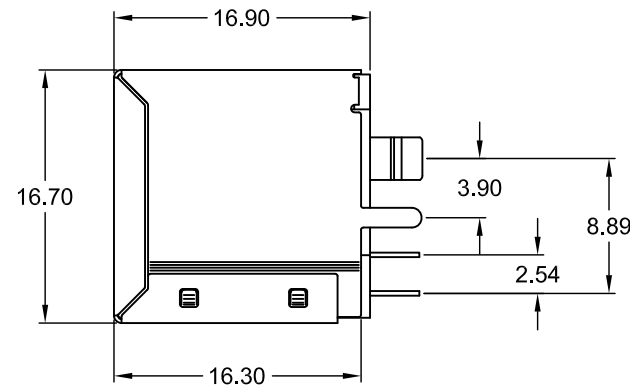
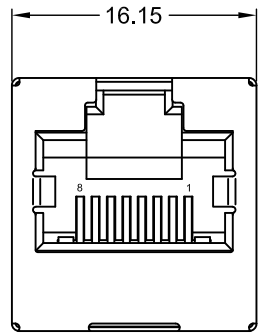
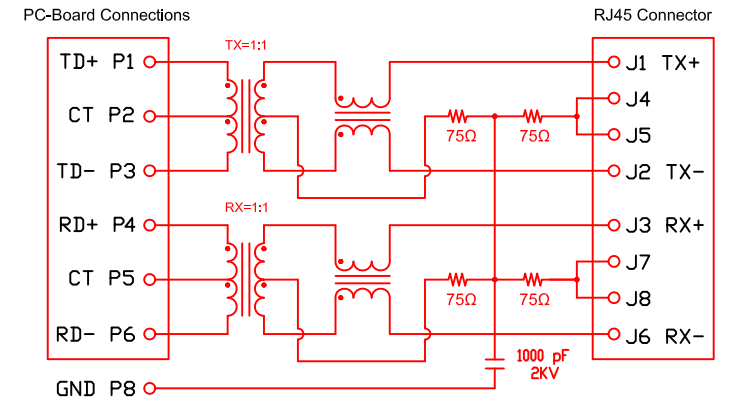


| REV. | DESCRIPTION  | DRAWN | DATE       |
|------|--------------|-------|------------|
| A    | NEW          | Nick  | 06.07.2009 |
| B    | New DWG. No. | Ronny | 01.02.2012 |



Recommended PCB Hole Layout  
Top View

Schematic: "2" Type



ELECTRICAL CHARACTERISTICS

Test Notes: (25°C ±5°C)

- TR: (100KHz 0.1V):  
Pins: (P1-P3);(J1-J2)=1:1±3%  
Pins: (P4-P6);(J3-J6)=1:1±3%
- LX: (100KHz 100mV 8mA DC Bias)  
Pins: (P1-P3),(P4-P6)=350µH min.
- DCR:  
Pins: (J1-J2),(J3-J6)=1.2Ω max.
- HIPOT:  
Pins: (P1,P2,P3)to(J1,J2)=1500V AC for 60 Sec.  
Pins: (P4,P5,P6)to(J3,J6)=1500V AC for 60 Sec.
- INSERTION LOSS:  
-1.0dB max. at 0.3MHz to 100MHz
- RETURN LOSS:  
-20dB min. at 1MHz to 30MHz  
-15dB min. at 30MHz to 60MHz  
-10dB min. at 60MHz to 80MHz
- CROSS TALK:  
-30dB min. at 1MHz to 100MHz
- COMMON TO COMMON MODE REJECTION:  
-30dB min. at 1MHz to 100MHz

SPECIFICATION

- MATERIAL:  
Housing - PBT UL 94V-0 (black)  
Contact - 0.35mm PhBz; Au/Sn plated  
Shield - Brass; Ni plated
- OPERATING LIFE: 750 Cycles min.
- TEMPERATURE RANGE:  
Storage - -40°C to +85°C  
Operating - 0°C to 70°C  
Cavity conform to FCC Rules and  
Registration PAR68, Subparts F



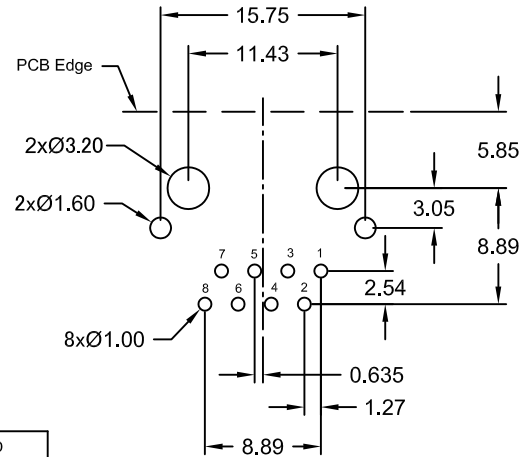
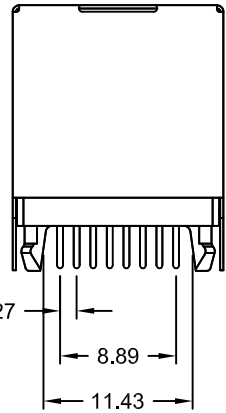
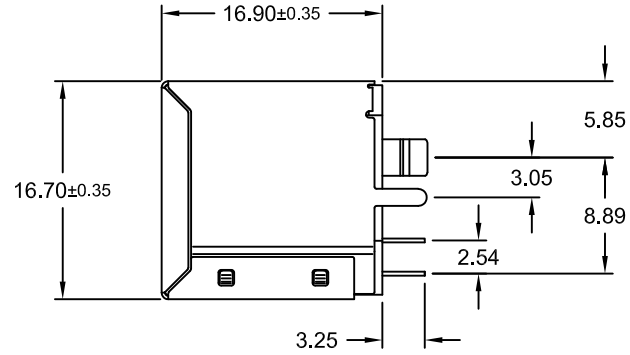
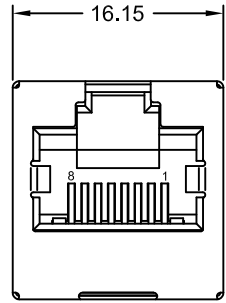
| PART NUMBER         | GOLD PLATING CONTACT AREA |
|---------------------|---------------------------|
| MJT-188-N0S2-95/KCS | 3µ"                       |
| MJT-188-N0S2-96/KCS | 6µ"                       |
| MJT-188-N0S2-97/KCS | 15µ"                      |
| MJT-188-N0S2-98/KCS | 30µ"                      |
| MJT-188-N0S2-9H/KCS | 50µ"                      |



|               |                   |              |                 |                    |                     |                                   |
|---------------|-------------------|--------------|-----------------|--------------------|---------------------|-----------------------------------|
| UNIT<br>mm    | GENERAL TOLERANCE |              | DRAWN<br>Nick   | DATE<br>06.07.2009 | DWG. NO.<br>1432500 | SHEET 1/1                         |
|               | X.° ±             | .X° ±        | CHECK<br>Ronny  | DATE<br>01.02.2012 |                     | Series NO.<br>MJT-188-N0S2-xx/KCS |
|               | X. ±              | .X ± 0.25    | APPROVE<br>HOGI | DATE<br>01.02.2012 |                     |                                   |
|               | XX. ±             | .XX ± 0.15   |                 |                    |                     |                                   |
| SCALE<br>Free | XXX. ±            | .XXX ± 0.075 |                 |                    |                     |                                   |

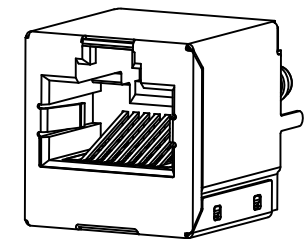
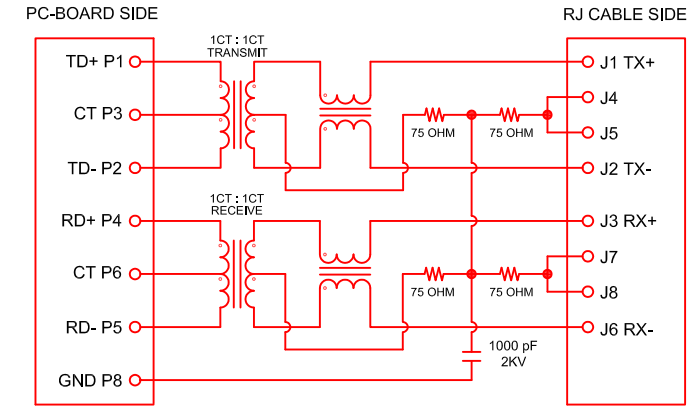
**RJ 45 PCB JACK <8P8C>**  
TOP ENTRY TYPE without LED  
FULLY SHIELDED  
2 Type 10/100 Base TX Filtered

| REV. | DESCRIPTION | DATE       | DRAWN |
|------|-------------|------------|-------|
| A    | New         | 20.07.2016 | Ronny |



Recommended PCB Layout Top View  
(Tolerance ±0.05)

### Schematic: "AE" Type



### Specifications

**Material**  
 Insulator: PBT (black) UL 94V-0  
 Contact: Copper Alloy t=0.35mm  
 Plating: Sn on solder area;  
 Au on contact area;  
 entire contact Ni underplated  
 Shield: Copper Alloy t=0.20mm; Ni plated

Operating temperature: 0°C to +70°C

Operating Life: 750 Cycles min.

Cavity comply with FCC Rules and Regulations Part 68, Subpart F

### Electrical Characteristics

- Test Notes: (25°C ±5°C)
- TR: (100KHz 0.1V):  
 Pins: (P1-P2):(J1-J2)=1:1±3%  
 Pins: (P4-P5):(J3-J6)=1:1±3%
  - LX: (100KHz 100mV 8mA DC Bias)  
 Pins: (P1-P2),(P4-P5)=350µH min.
  - DCR:  
 Pins: (J1-J2),(J3-J6)=1.2Ω max.
  - HIPOT:  
 Pins: (P1,P2)to(J1,J2)=1500V AC or 2250V DC for 60 Sec.  
 Pins: (P4,P5)to(J3,J6)=1500V AC or 2250V DC for 60 Sec.
  - INSERTION LOSS:  
 -1,0dB max. @ 1MHz to 100MHz
  - RETURN LOSS:  
 -18dB min. @ 1MHz to 30MHz, Load 100 Ω  
 -16dB min. @ 30MHz to 60MHz, Load 100 Ω  
 -12dB min. @ 60MHz to 80MHz, Load 100 Ω
  - CROSS TALK:  
 -30dB min. @ 1MHz to 100MHz
  - COMMON TO COMMON MODE REJECTION:  
 -30dB min. @ 1MHz to 100MHz

| PART NUMBER          | GOLD PLATING CONTACT AREA |
|----------------------|---------------------------|
| MJT-188-S0SAE-95/KCS | 3µ"                       |
| MJT-188-S0SAE-96/KCS | 6µ"                       |
| MJT-188-S0SAE-97/KCS | 15µ"                      |
| MJT-188-S0SAE-98/KCS | 30µ"                      |
| MJT-188-S0SAE-9H/KCS | 50µ"                      |

E-tec 2016 © - all rights reserved



|            |                   |        |                 |                    |                     |           |            |                |                    |                                    |
|------------|-------------------|--------|-----------------|--------------------|---------------------|-----------|------------|----------------|--------------------|------------------------------------|
| UNIT<br>mm | GENERAL TOLERANCE |        | DRAWN<br>Cherry | DATE<br>20.07.2016 | DWG. NO.<br>1432504 | SHEET 1/1 |            |                |                    |                                    |
|            | SCALE<br>Free     | X.° ±  |                 |                    |                     |           | X. ±       | CHECK<br>Ronny | DATE<br>20.07.2016 | SERIES NO.<br>MJT-188-S0SAE-9x/KCS |
|            |                   | .X° ±  |                 |                    |                     |           | .X ±       |                |                    |                                    |
|            |                   | .XX° ± |                 |                    |                     |           | .XX ± 0.25 |                |                    |                                    |
|            | .XXX° ±           | .XXX ± | APPROVE<br>Hogi | DATE<br>20.07.2016 | REV. A              |           |            |                |                    |                                    |

**RJ45 PCB JACK <8P/8C>**  
 Top Entry fully shielded  
**"AE" Type** 10/100 Mbps 4 core TX Filtered