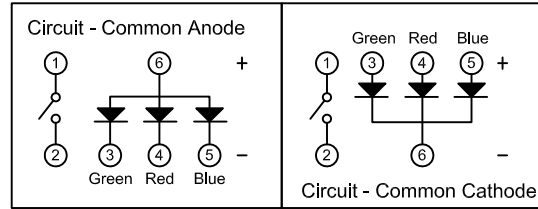
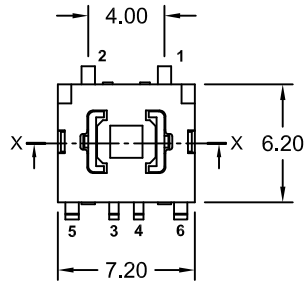


REV.	DESCRIPTION	DATE	DRAWN
A	New	29.11.2018	Ronny
B	correct sheet 1/2 general update	10.01.2019	Ronny



Order Code
TLS-76-S/W/X XXS X /6SZ

Packing

C = Reel

T = Tube

M = Tray (Blister)

LED Color

FA = full (RGB) Common Anode

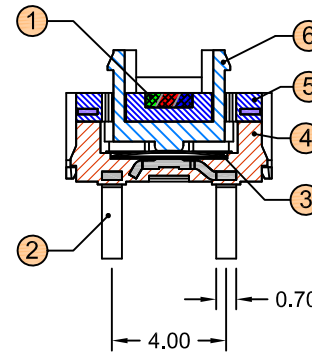
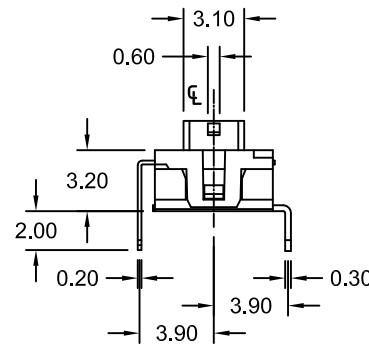
FC = full (RGB) Common Cathode

Operating force

N = 160g

R = 260g

[Cap order information sheet 2/2](#)

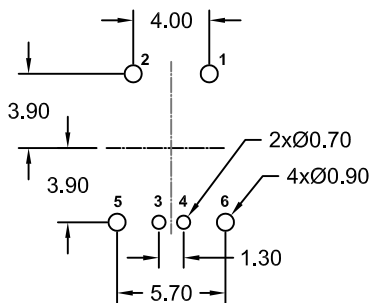
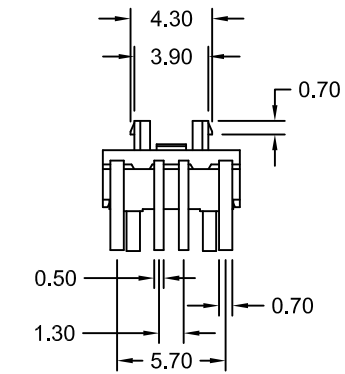


X-X

For more technical information, see
 Product Specification **ETEC/A-SW-011**



Item	Desc.	Material	Treatment
1	LED		RGB
2	Terminal	Brass	Silver over Nickel
3	Contact	Steel	Silver over Nickel
4	Base	PA	Black
5	Cover	PA	Black
6	Stem	PA	Black
3/4/5	LED Terminal	Phosphor Bronze	Silver over Nickel



Recommended PCB Hole Layout
 (Top View)

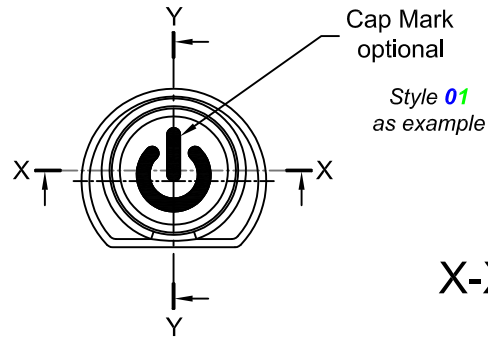
E-tec 2019 © - all rights reserved



UNIT	mm	GENERAL TOLERANCE		DRAWN	DATE	DWG. NO.	SHEET 1/2
SCALE	Free	X.° ±	X. ±	Ronny	29.11.2018	TLS-76-S/W/6SZ	REV. B
		.X° ±	.X ±	Hogi	10.01.2019	SERIES NO.	
		.XX° ±	.XX ± 0.20	Hogi	10.01.2019	TLS-76-S/W/XXXSX/6SZ	
		.XXX° ±	.XXX ±				

LED Illuminated Tactile Switch
 THT straight
 without Cap

REV.	DESCRIPTION	DATE	DRAWN
A	New	29.11.2018	Ronny
B	general update	10.01.2019	Ronny

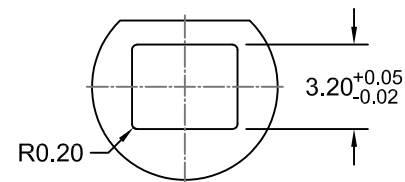
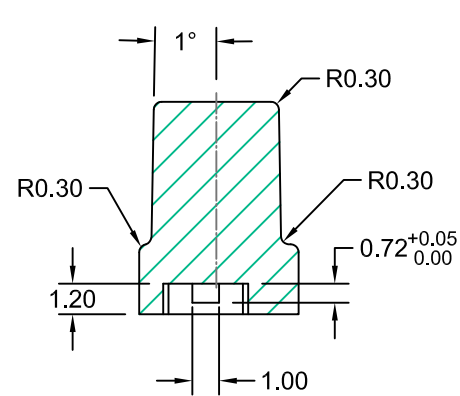
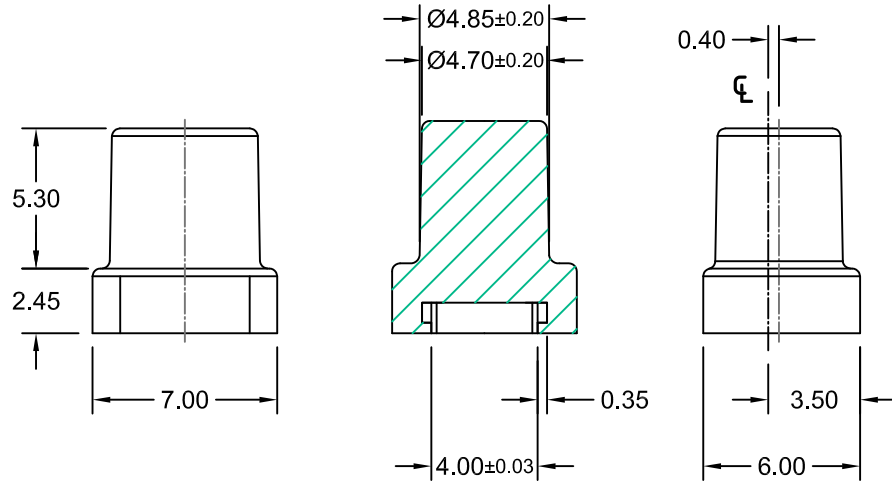


Order Code
TCP-775-81X **xx**

Cap Color
(Powder coated)

Black = **B**
Silver = **S**
Transparent = **T**

Cap Mark



1 st	2 nd	0	1	2	3	4	5	6	7	8	9
0	NO Mark	⏻	⏪	⏩	⏹	ⓘ	⏪	⏩	⏹	⏹	⏹
1	⏻	⏪	⏩	⏹	⏪	⏩	RESET	BIOS	⏹	⏹	⏹
2	START	RESET	Reset	clr CMOS	clr CMOS	Turbo	⏹	⏹	⏹	⏹	⏹
3	⏪	⏩	⏩	⏪	+	-	△	●	⏹	⏹	⏹



Material
PC (Polycarbonate) UL 94V-0

E-tec 2019 © - all rights reserved



UNIT	GENERAL TOLERANCE		DRAWN	DATE	DWG. NO.	SHEET 2/2
mm	X.° ±	X. ±	Ronny	29.11.2018	TCP-775-81	REV. B
SCALE	.X° ±	.X ±	Hogi	10.01.2019	SERIES NO.	
	.XX° ±	.XX ± 0.05	APPROVE	DATE	TCP-775-81Xxx	
	.XXX° ±	.XXX ±	Hogi	10.01.2019		

Cap
for LED Illuminated
Tactile Switches