

Burn-In Sockets OTZ Series

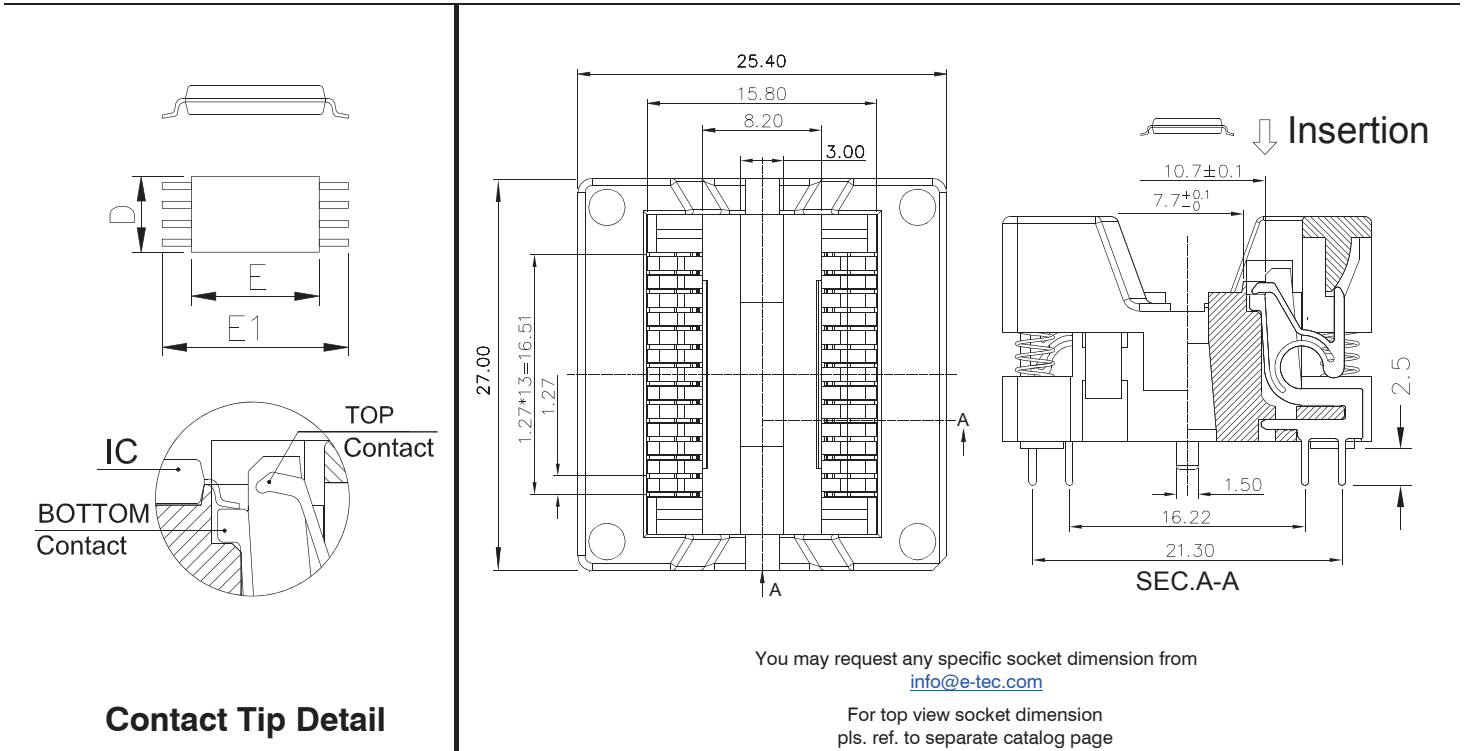
SOP SOCKET



Open top thru-hole style for Small Outline chip Packages.
 Zero Insertion Force designed for automatic loading.
 Highly reliable, dual pinch, pre-loaded contacts.
 Live bug insertion for 0.65/1.27mm pitch packages.
 High force contact version available for Pb-free devices (single beam type).



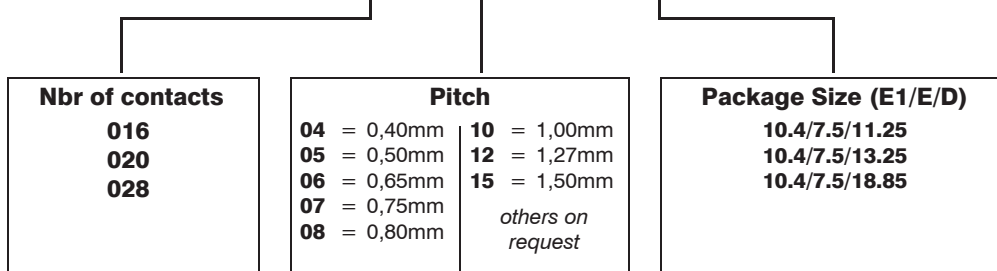
Please note, we will always request the chip data to ensure we offer a compatible socket.



Specifications			
Mechanical data		Electrical data	
Contact life	15,000 cycles	Contact resistance	< 30 mΩ
Contact Normal Force	18g Per Pin	Current rating	10mA
Operation Force	1.0Kg max.	Insulation resistance at 500V DC	1,000 mΩ
Material		Operating temperature	
Insulator (RoHS compliant)	PES , PEI	-55°C to +175°C	
Contact (RoHS compliant)	Beryllium Copper Alloy		
Contact plating	Gold cover Nickel		
Recommendations:			
Solder paste – Please use a solder paste w/o any silver!		Solder profile – Please refer to our website www.e-tec.com	
E-tec solderless sockets are adapted to a standard PCB thickness of 1.60mm. For a different PCB thickness, please inform E-tec first!			
For high pincount SMT sockets, E-tec recommends the use of a pluggable thru-hole socket mounted into a MiniGrid Adapter (see also page 10, 11 & 12 for more details)			
For SMT sockets in general, E-tec recommends the use of locating pegs which can be soldered to the PCB for added mechanical strength.			

How to order

OTZ - x x x - 12 - xx.x/xx.x/xx.x



Burn-In Sockets OTZ Series

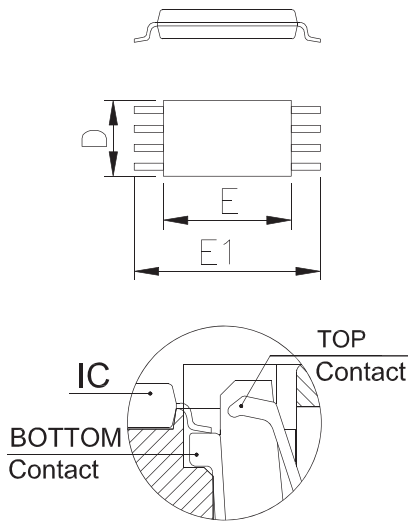
SOP SOCKET



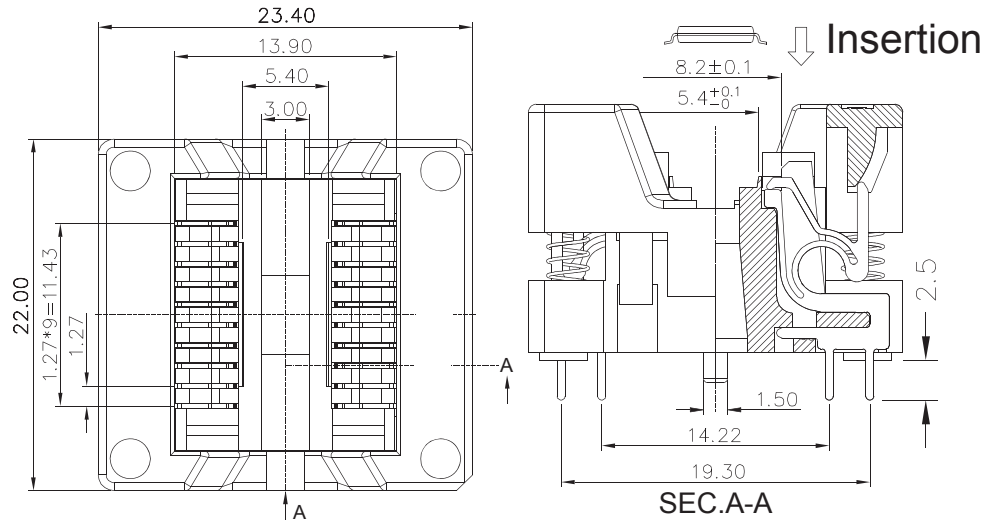
Open top thru-hole style for Small Outline chip Packages.
 Zero Insertion Force designed for automatic loading.
 Highly reliable, dual pinch, pre-loaded contacts.
 Live bug insertion for 0.65/1.27mm pitch packages.
 High force contact version available for Pb-free devices (single beam type).



Please note, we will always request the chip data to ensure we offer a compatible socket.



Contact Tip Detail



You may request any specific socket dimension from info@e-tec.com

For top view socket dimension pls. ref. to separate catalog page

Specifications

Mechanical data

Contact life 15,000 cycles
 Contact Normal Force 18g Per Pin
 Operation Force 1.0Kg max.

Material

Insulator (RoHS compliant) PES, PEI
 Contact (RoHS compliant) Beryllium Copper Alloy
 Contact plating Gold cover Nickel

Electrical data

Contact resistance < 30 mΩ
 Current rating 10mA
 Insulation resistance at 500V DC 1,000 mΩ

Operating temperature

-55°C to +175°C

Recommendations:

Solder paste – Please use a solder paste w/o any silver!

Solder profile – Please refer to our website www.e-tec.com

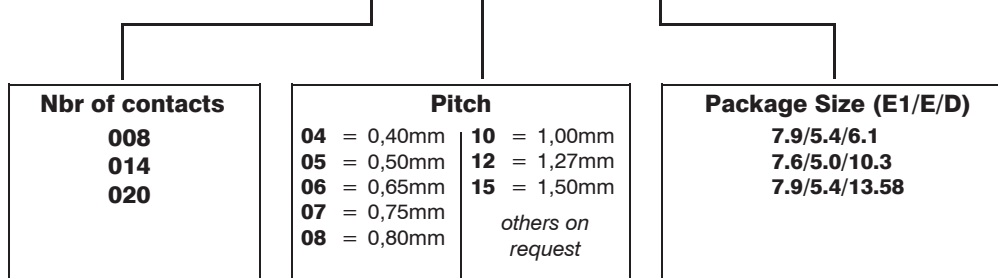
E-tec solderless sockets are adapted to a standard PCB thickness of 1.60mm. For a different PCB thickness, please inform E-tec first!

For high pincount SMT sockets, E-tec recommends the use of a pluggable thru-hole socket mounted into a MiniGrid Adapter (see also page 10, 11 & 12 for more details)

For SMT sockets in general, E-tec recommends the use of locating pegs which can be soldered to the PCB for added mechanical strength.

How to order

OTZ - x x x - 12 - xx.x/xx.x/xx.x



Burn-In Sockets OTZ Series

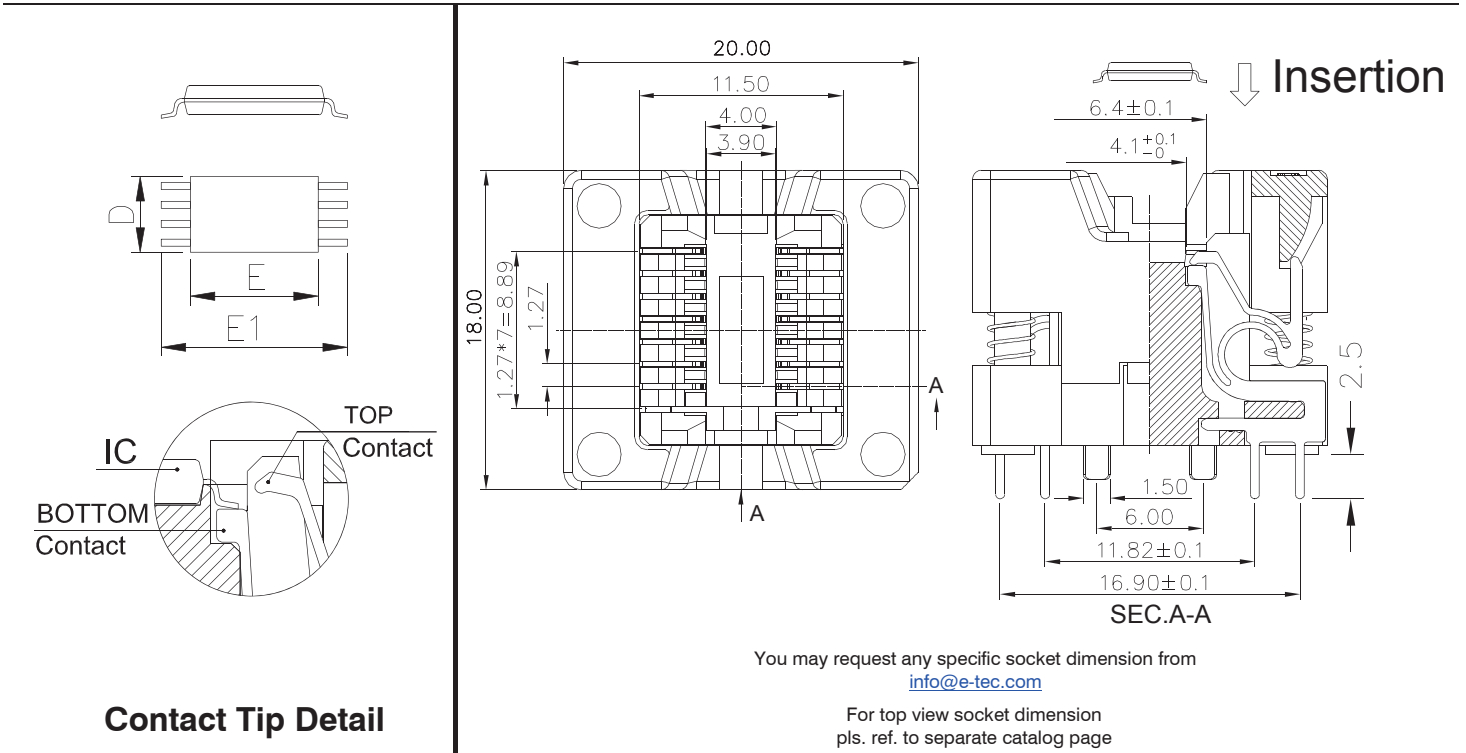
SOP SOCKET



Open top thru-hole style for Small Outline chip Packages.
 Zero Insertion Force designed for automatic loading.
 Highly reliable, dual pinch, pre-loaded contacts.
 Live bug insertion for 0.65/1.27mm pitch packages.
 High force contact version available for Pb-free devices (single beam type).



Please note, we will always request the chip data to ensure we offer a compatible socket.



Specifications

Mechanical data

Contact life 15,000 cycles
 Contact Normal Force 18g Per Pin
 Operation Force 1.0Kg max.

Material

Insulator (RoHS compliant) PES , PEI
 Contact (RoHS compliant) Beryllium Copper Alloy
 Contact plating Gold cover Nickel

Electrical data

Contact resistance < 30 mΩ
 Current rating 10mA
 Insulation resistance at 500V DC 1,000 mΩ

Operating temperature

-55°C to +175°C

Recommendations:

Solder paste – Please use a solder paste w/o any silver!

Solder profile – Please refer to our website www.e-tec.com

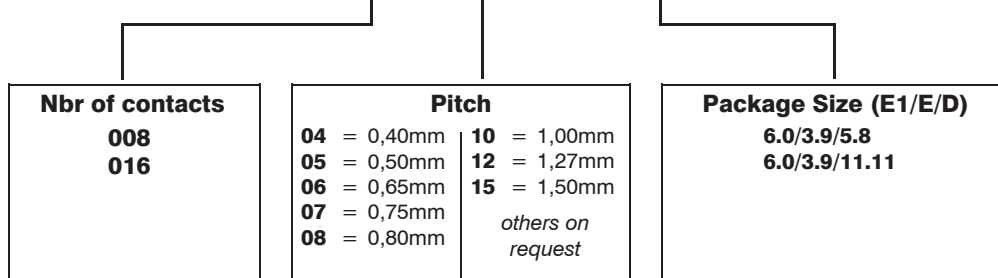
E-tec solderless sockets are adapted to a standard PCB thickness of 1.60mm. For a different PCB thickness, please inform E-tec first!

For high pincount SMT sockets, E-tec recommends the use of a pluggable thru-hole socket mounted into a MiniGrid Adapter (see also page 10, 11 & 12 for more details)

For SMT sockets in general, E-tec recommends the use of locating pegs which can be soldered to the PCB for added mechanical strength.

How to order

OTZ - x x x - 12 - xx.x/xx.x/xx.x



Burn-In Sockets OTZ Series

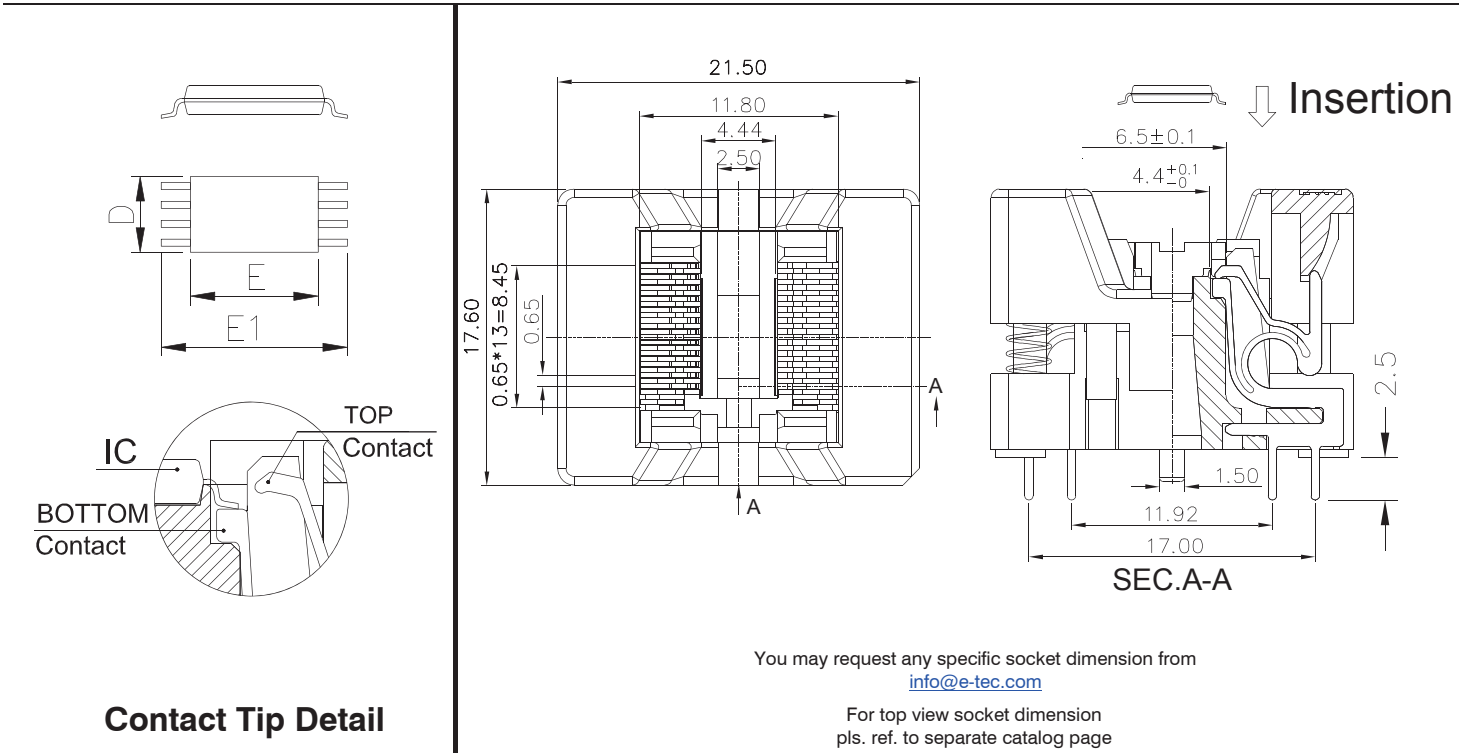
SOP SOCKET



Open top thru-hole style for Small Outline chip Packages.
 Zero Insertion Force designed for automatic loading.
 Highly reliable, dual pinch, pre-loaded contacts.
 Live bug insertion for 0.65/1.27mm pitch packages.
 High force contact version available for Pb-free devices (single beam type).



Please note, we will always request the chip data to ensure we offer a compatible socket.



Specifications

Mechanical data

Contact life 15,000 cycles
 Contact Normal Force 18g Per Pin
 Operation Force 1.0Kg max.

Material

Insulator (RoHS compliant) PES, PEI
 Contact (RoHS compliant) Beryllium Copper Alloy
 Contact plating Gold cover Nickel

Electrical data

Contact resistance < 30 mΩ
 Current rating 10mA
 Insulation resistance at 500V DC 1,000 mΩ

Operating temperature

-55°C to +175°C

Recommendations:

Solder paste – Please use a solder paste w/o any silver!

Solder profile – Please refer to our website www.e-tec.com

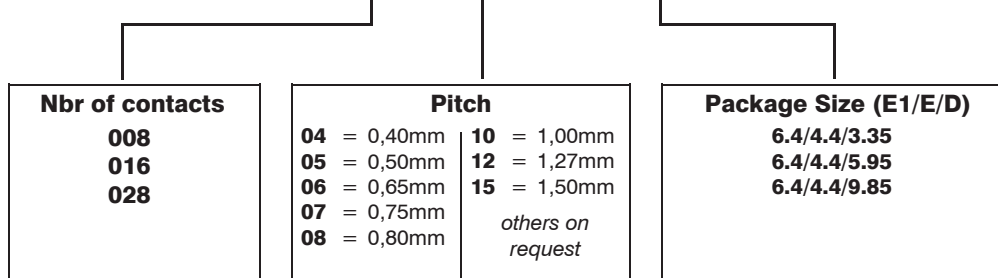
E-tec solderless sockets are adapted to a standard PCB thickness of 1.60mm. For a different PCB thickness, please inform E-tec first!

For high pincount SMT sockets, E-tec recommends the use of a pluggable thru-hole socket mounted into a MiniGrid Adapter (see also page 10, 11 & 12 for more details)

For SMT sockets in general, E-tec recommends the use of locating pegs which can be soldered to the PCB for added mechanical strength.

How to order

OTZ - x x x - 06 - xx.x/xx.x/xx.x



Burn-In Sockets OTZ Series

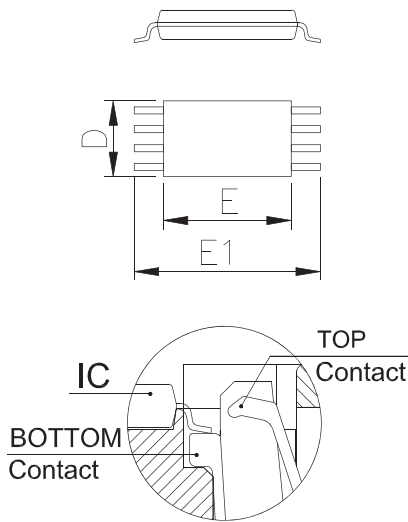
SOP SOCKET



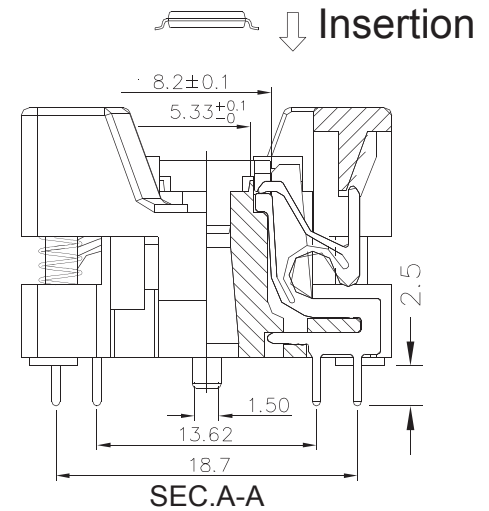
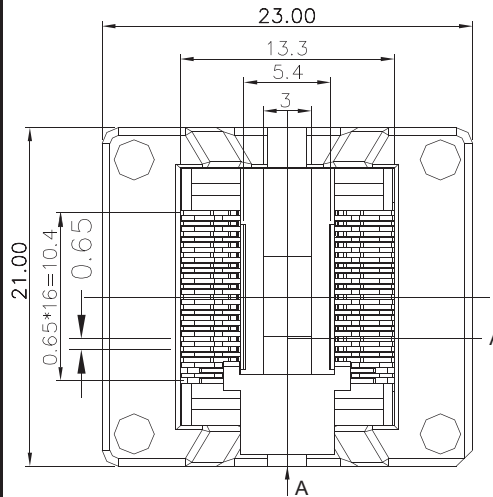
Open top thru-hole style for Small Outline chip Packages.
 Zero Insertion Force designed for automatic loading.
 Highly reliable, dual pinch, pre-loaded contacts.
 Live bug insertion for 0.65/1.27mm pitch packages.
 High force contact version available for Pb-free devices (single beam type).



Please note, we will always request the chip data to ensure we offer a compatible socket.



Contact Tip Detail



You may request any specific socket dimension from info@e-tec.com

For top view socket dimension pls. ref. to separate catalog page

Specifications

Mechanical data

Contact life 15,000 cycles
 Contact Normal Force 18g Per Pin
 Operation Force 1.0Kg max.

Material

Insulator (RoHS compliant) PES , PEI
 Contact (RoHS compliant) Beryllium Copper Alloy
 Contact plating Gold cover Nickel

Electrical data

Contact resistance < 30 mΩ
 Current rating 10mA
 Insulation resistance at 500V DC 1,000 mΩ

Operating temperature

-55°C to +175°C

Recommendations:

Solder paste – Please use a solder paste w/o any silver!

Solder profile – Please refer to our website www.e-tec.com

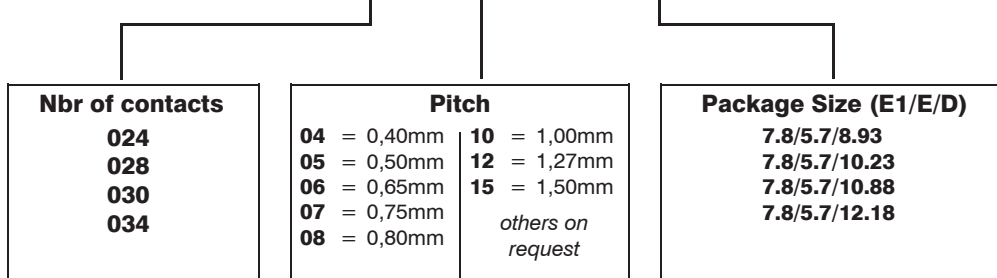
E-tec solderless sockets are adapted to a standard PCB thickness of 1.60mm. For a different PCB thickness, please inform E-tec first!

For high pincount SMT sockets, E-tec recommends the use of a pluggable thru-hole socket mounted into a MiniGrid Adapter (see also page 10, 11 & 12 for more details)

For SMT sockets in general, E-tec recommends the use of locating pegs which can be soldered to the PCB for added mechanical strength.

How to order

OTZ - x x x - 06 - xx.x/xx.x/xx.x



Burn-In Sockets OTZ Series

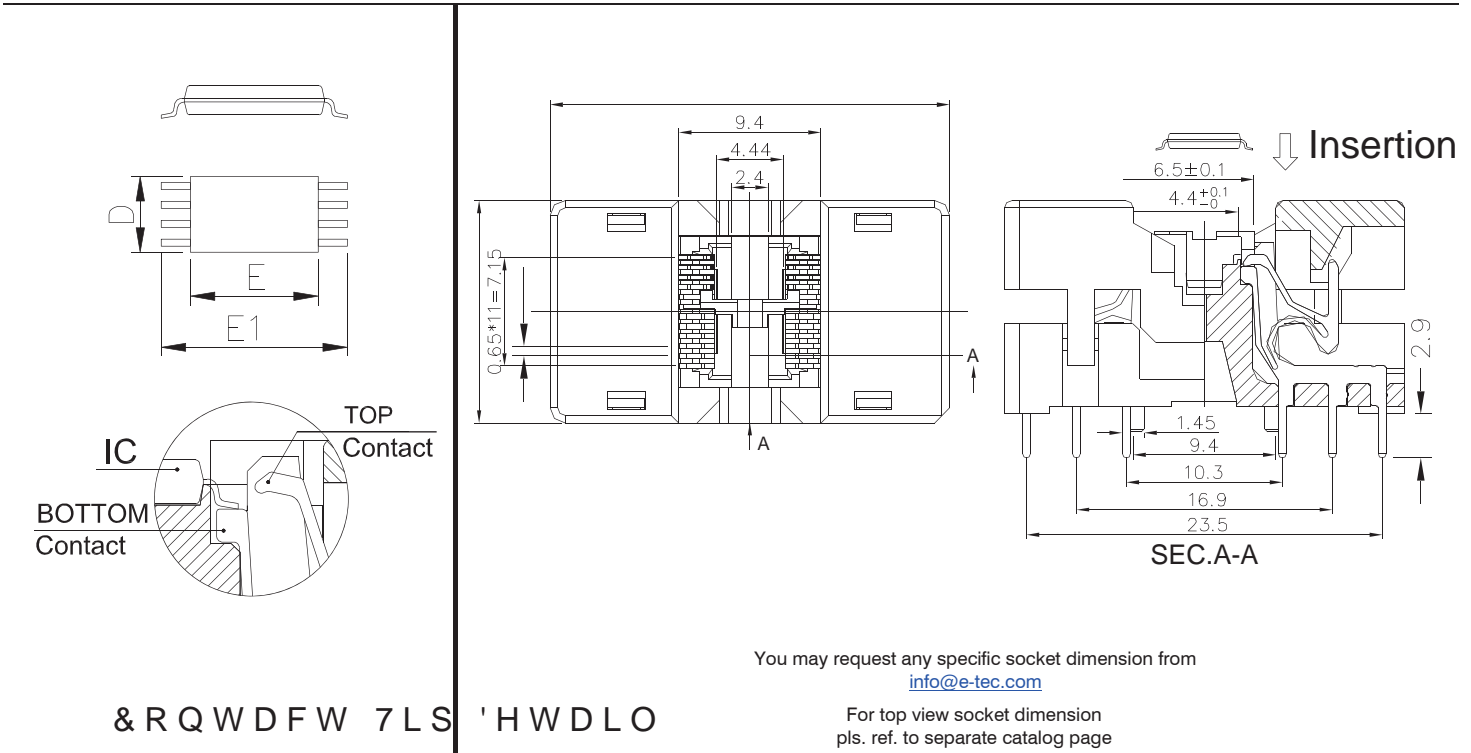
SOP SOCKET



Open top thru-hole style for Small Outline chip Packages.
 Zero Insertion Force designed for automatic loading.
 Highly reliable, dual pinch, pre-loaded contacts.
 Live bug insertion for 0.65/1.27mm pitch packages.
 High force contact version available for Pb-free devices (single beam type).



Please note, we will always request the chip data to ensure we offer a compatible socket.



Specifications

Mechanical data

Contact life 15,000 cycles
 Contact Normal Force 18g Per Pin
 Operation Force 1.0Kg max.

Material

Insulator 5R+6 FRPSOLDQ PES, PEI
 Contact 5R+6 FRPSOLDQ Beryllium Copper Alloy
 Contact plating Gold cover Nickel

Electrical data

Contact resistance < 30 mΩ
 Current rating 10mA
 Insulation resistance at 500V DC 1,000 mΩ

Operating temperature

-55°C to +175°C

Recommendations:

Solder paste – Please use a solder paste w/o any silver!

Solder profile – Please refer to our website www.e-tec.com

E-tec solderless sockets are adapted to a standard PCB thickness of 1.60mm. For a different PCB thickness, please inform E-tec first!

For high pincount SMT sockets, E-tec recommends the use of a pluggable thru-hole socket mounted into a MiniGrid Adapter (see also page 10, 11 & 12 for more details)

For SMT sockets in general, E-tec recommends the use of locating pegs which can be soldered to the PCB for added mechanical strength.

How to order

OTZ - x x x - 06 - xx.x/xx.x/xx.x

