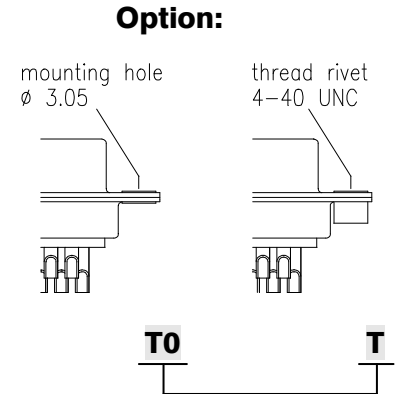
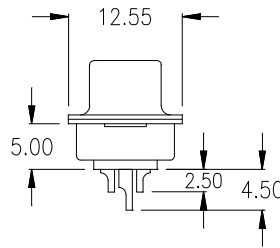
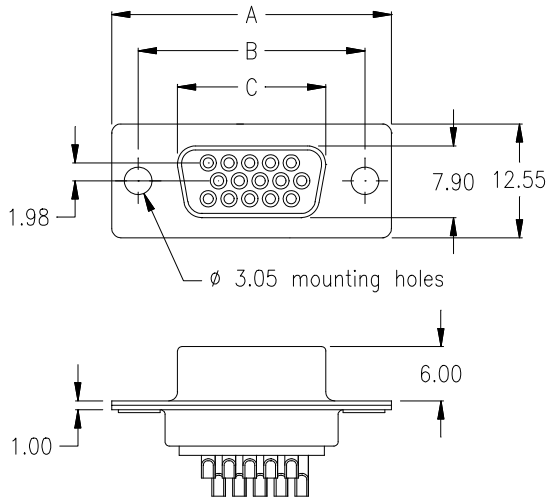
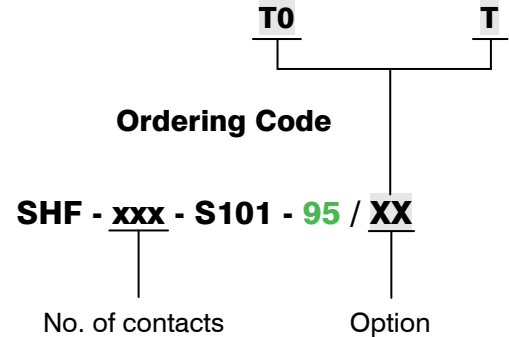


female



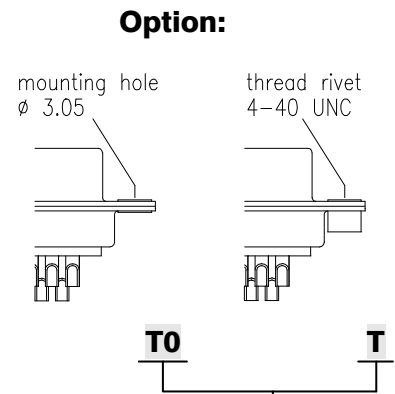
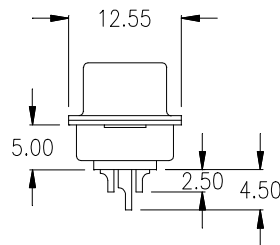
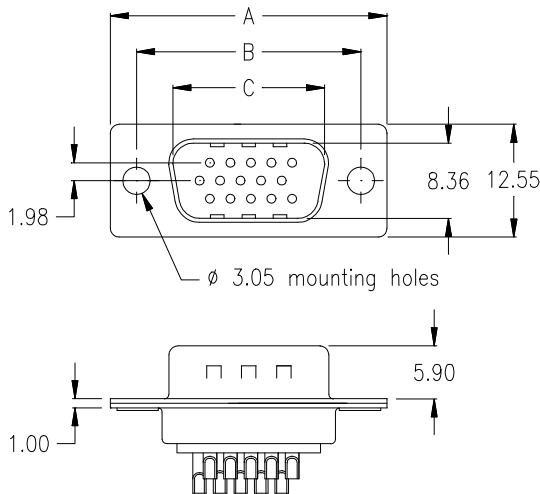
No. of contacts	Dimension		
	A	B	C
015	30.81 1.213	24.99 .984	16.33 .643
026	39.14 1.541	33.32 1.312	24.66 .971
044	53.04 2.088	47.04 1.852	38.38 1.511
062	69.32 2.729	63.50 2.500	54.84 2.159



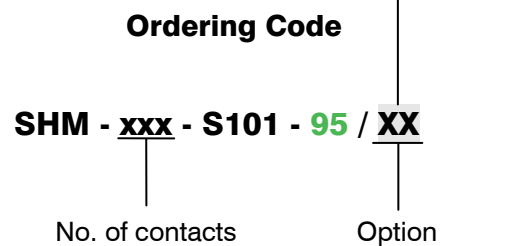
General Specification page 72

Plating: -95 = tin(leadfree)/gold

male



No. of contacts	Dimension		
	A	B	C
015	30.81 1.213	24.99 .984	16.92 .666
026	39.14 1.541	33.32 1.312	25.25 .994
044	53.04 2.088	47.04 1.852	38.96 1.534
062	69.32 2.729	63.50 2.500	55.42 2.182



General Specification page 72

Plating: -95 = tin(leadfree)/gold