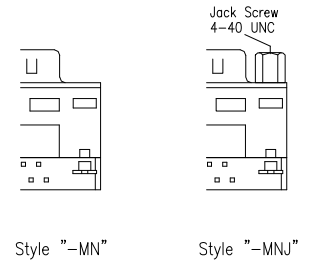
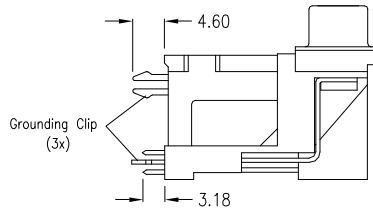
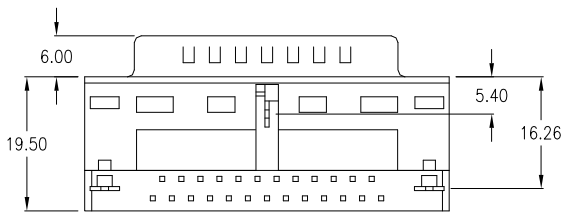
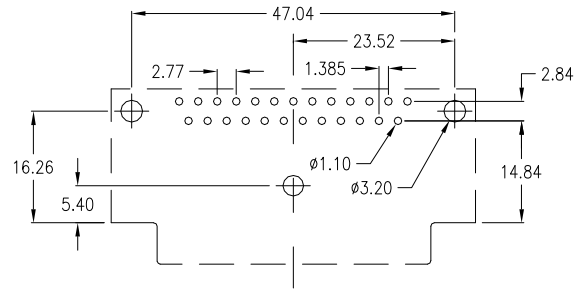
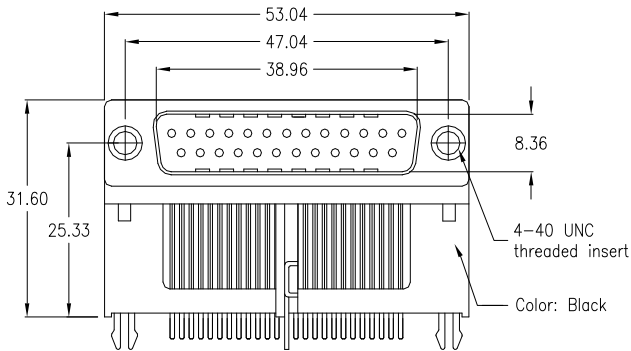


25-pin male raised



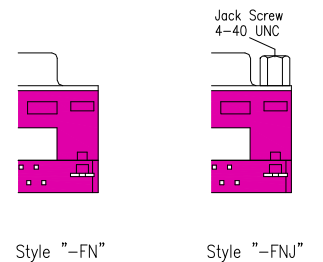
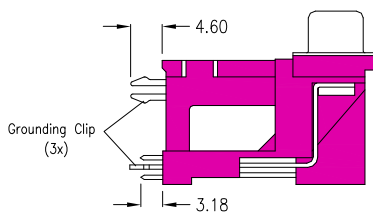
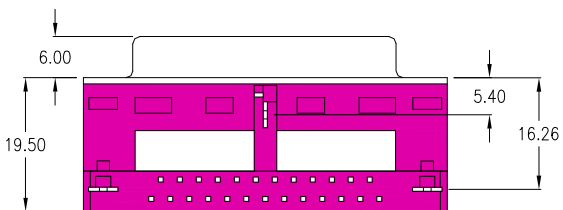
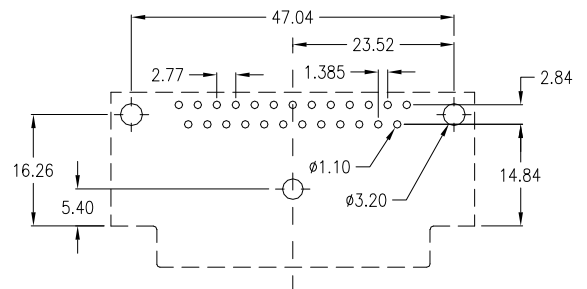
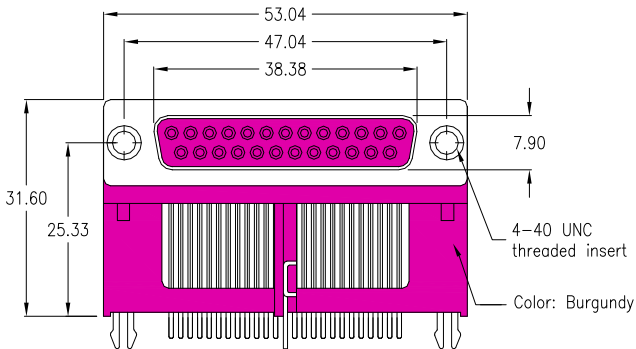
with 3 grounding clips;
w/o jack screws
Standard
(as above drawing)

with 3 grounding clips;
2 jack screws 4-40 UNC
mounted
Option

SDD-2500-2-95-MN

SDD-2500-2-95-MNJ

25-pin female raised



with 3 grounding clips;
w/o jack screws
Standard
(as above drawing)

with 3 grounding clips;
2 jack screws 4-40 UNC
mounted
Option

SDD-2500-2-95-FN

SDD-2500-2-95-FNJ