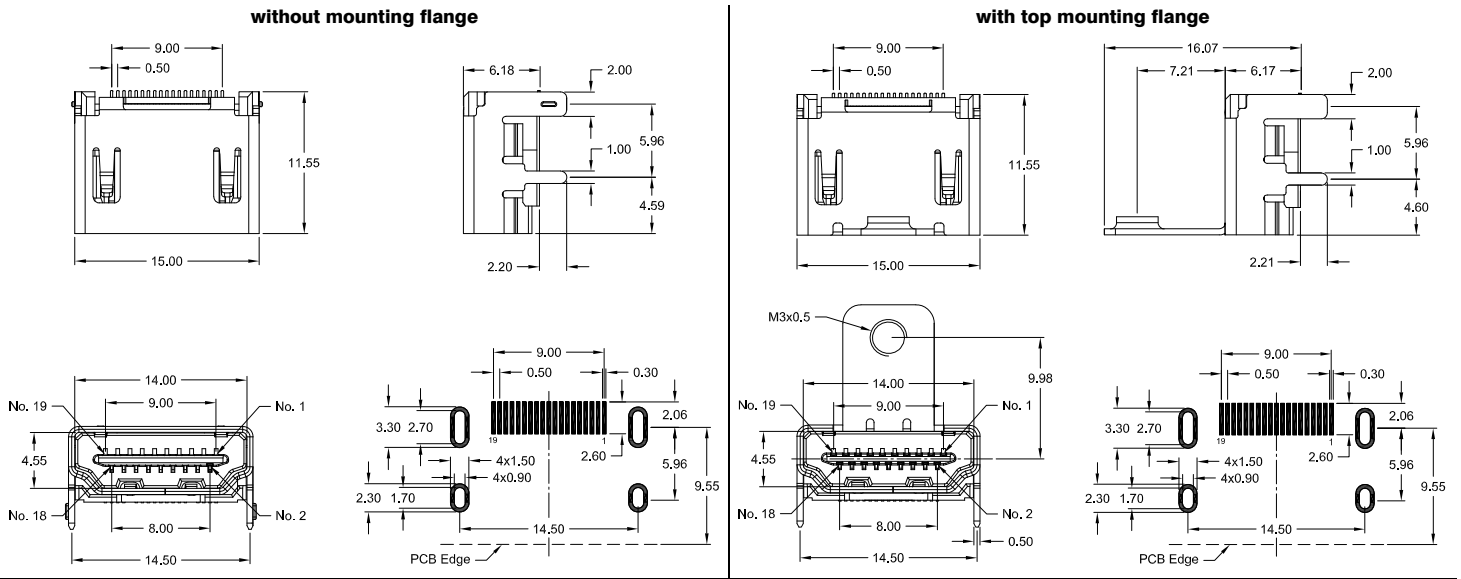


-SMT- "Side Entry" with straight solder pegs



Specifications

<b>Electrical:</b>	
Current rating	0.5 A
Insulator resistance	100 M Ω min. at 150V DC
Contact resistance	30 m Ω max.
Withstanding voltage	500V (rms) AC 1 Min.
Operating temperature	-25° C to +85° C
<b>Mechanical:</b>	
Insertion force	44.1 N max.
Withdrawal force	9.8 N min.
Durability	10,000 Cycles
<b>Material:</b>	
Contact	Copper Alloy
Plating	Sn solderpegs / Au contact
Insulator	Hi temp Thermoplastic black UL 94V-0
Shell	Steel; Sn (leadfree) over Ni

How to order

HMR - B19 - SS X 1 - 98 / X

Style	Plating	Option
<b>K</b> = without mounting flange	<b>95</b> = Tin (leadfree) / Gold flash	<b>R</b> = reel packing w/o pick up tape
<b>L</b> = with top mounting flange	<b>97</b> = Tin (leadfree) / Gold 15μ"	<b>BT</b> = reel packing with pick up tape
	<b>98</b> = Tin (leadfree) / Gold 30μ"	