
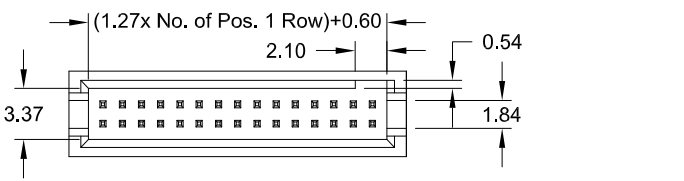
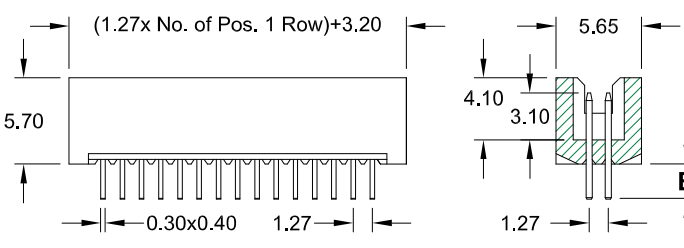

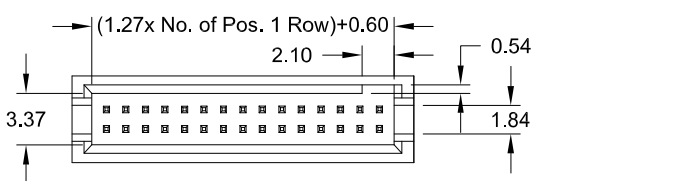
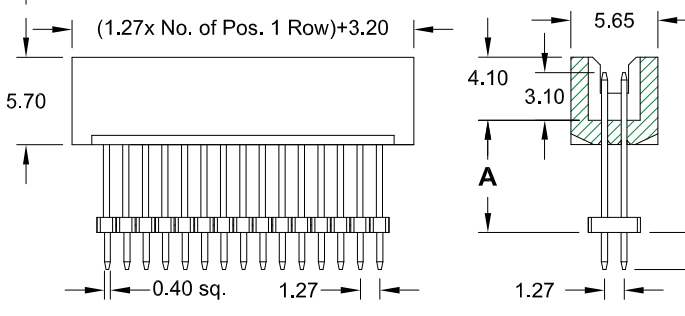
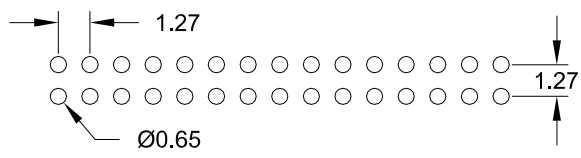


1.27mm pitch Box Header
 - THT - straight - raised



<p>Style S535</p>   	<p>Style P535</p>   														
<p style="text-align: center;">Specifications</p> <table style="width: 100%; border: none;"> <tr> <td style="border: none;">Current rating</td> <td style="border: none;">1 A</td> </tr> <tr> <td style="border: none;">Insulation resistance</td> <td style="border: none;">1000 MΩ min.</td> </tr> <tr> <td style="border: none;">Contact resistance</td> <td style="border: none;">20mΩ max.</td> </tr> <tr> <td style="border: none;">Withstanding voltage</td> <td style="border: none;">300 V AC</td> </tr> <tr> <td style="border: none;">Operating temperature</td> <td style="border: none;">- 40°C to +105°C</td> </tr> <tr> <td style="border: none;">Contact material (RoHS compliant)</td> <td style="border: none;">S535: PhBz P535: Brass</td> </tr> <tr> <td style="border: none;">Insulator material (RoHS compliant)</td> <td style="border: none;">LCP UL 94 V-0</td> </tr> </table>	Current rating	1 A	Insulation resistance	1000 MΩ min.	Contact resistance	20mΩ max.	Withstanding voltage	300 V AC	Operating temperature	- 40°C to +105°C	Contact material (RoHS compliant)	S535: PhBz P535: Brass	Insulator material (RoHS compliant)	LCP UL 94 V-0	<p style="text-align: center;">PCB Hole Layout</p> 
Current rating	1 A														
Insulation resistance	1000 MΩ min.														
Contact resistance	20mΩ max.														
Withstanding voltage	300 V AC														
Operating temperature	- 40°C to +105°C														
Contact material (RoHS compliant)	S535: PhBz P535: Brass														
Insulator material (RoHS compliant)	LCP UL 94 V-0														
<p>Application and Features</p> <p>Mating with 1.27mm pitch Female Headers BS2-xxx-H45B- & -H45P-55/11 (page 33) as “board to board” connection.</p> <p>No ejection latches for space saving</p>															

How to order

SLS - xxx - Xxxx - 55/11

