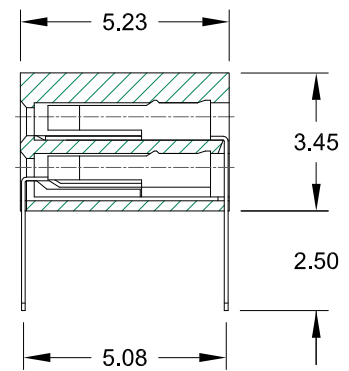
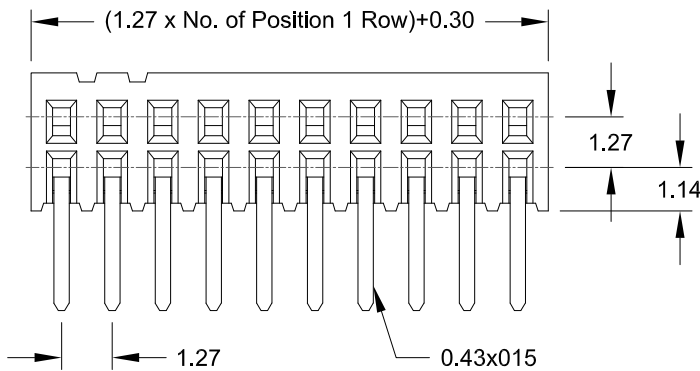
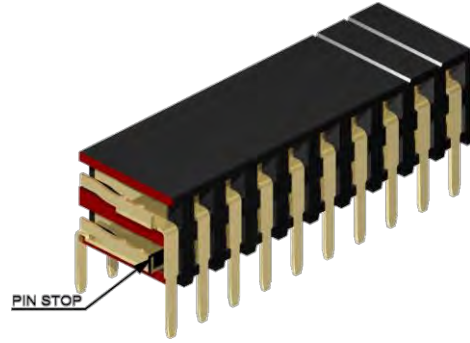
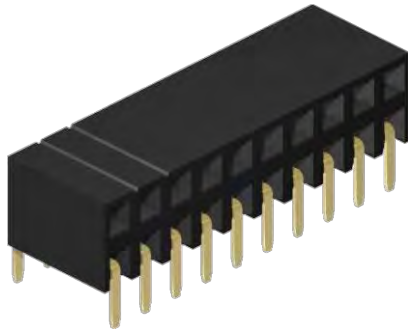


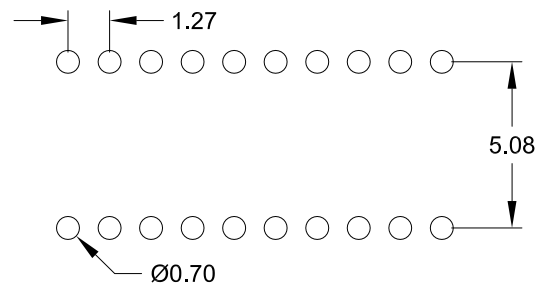
1.27mm pitch Female Header  
- THT- side entry



**Application and Features**

- **Standard: Tube packing**
- Hi-rel dual beam contact with "Pin Stop" assures reliable connections
- Accepts 0.40mm square pins; Pin Header 1.27mm x 1.27mm
- 3.45mm height above board
- Stand-off's facilitate post solder cleaning

**PCB Hole Layout**



**Specifications**

Current rating	1 A
Insulation resistance	1000 MΩ min.
Contact resistance	20 mΩ max.
Withstanding voltage	500 V AC

Operating temperature	- 40°C to +105°C
Contact material	(RoHS compliant) Phosphor Bronze
Insulator material	(RoHS compliant) PA6T UL 94 V-0

**How to order**

BH2 - xxx - R345 - 55/11

