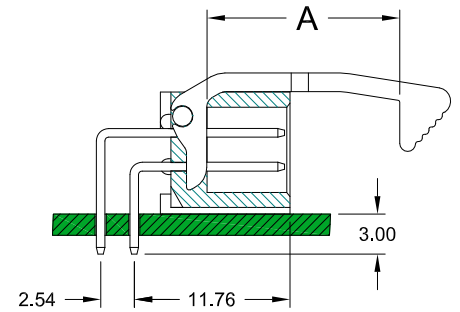
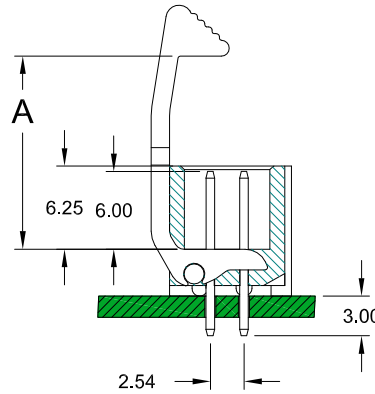
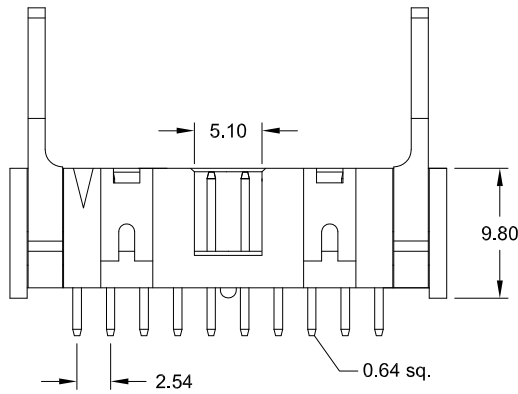
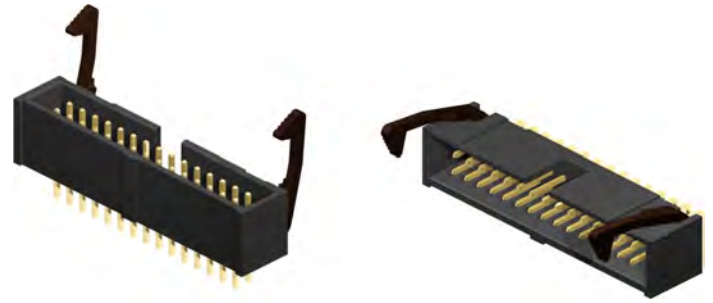
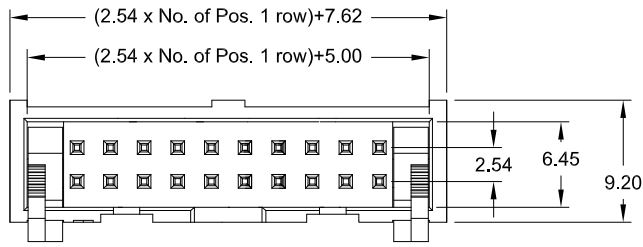


2.54mm pitch Box Header  
 - THT - with metal ejection latches



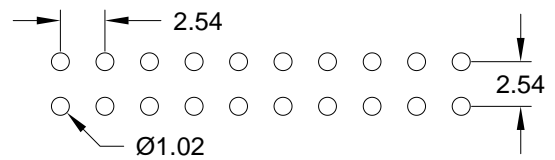
Style **S103**

**R103**

**Application and Features**

- Mating devices for Female Headers IDC Type
- Reliable flat cable to PCB connection
- Ejection latches for easy handling

**PCB Hole Layout**



**Specifications**

Current rating 3 A  
 Insulation resistance 1000 MΩ min.  
 Withstanding voltage 1000 V AC

Operating temperature -40°C to +105°C  
 Contact material (RoHS compliant) Copper alloy  
 Insulator material (RoHS compliant) PBT UL 94 V-0  
**Standard:** black

**How to order**

SLS - xxx - X 103 - 55 / X

Nbr of pins
006; 008; 010
014; 016; 020
026; 030; 034
040; 050; 060
064

Style
<b>S</b> = straight
<b>R</b> = right angle

Plating
<b>55</b> = Gold
other platings on request

Latch Style
<b>S</b> = short latch DIM "A" = 10.65 mm
<b>L</b> = long latch DIM "A" = 14.55 mm