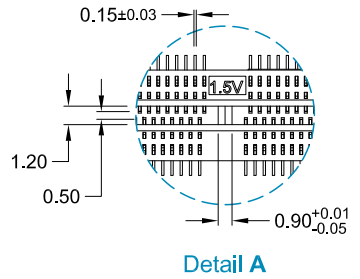
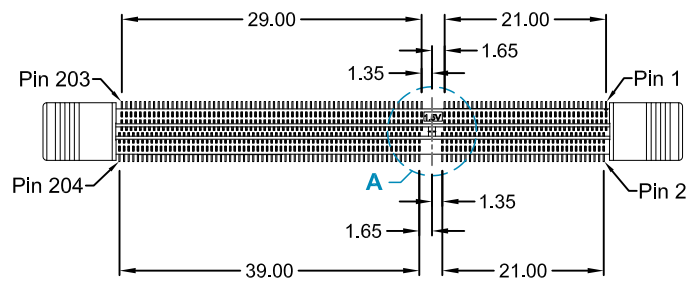
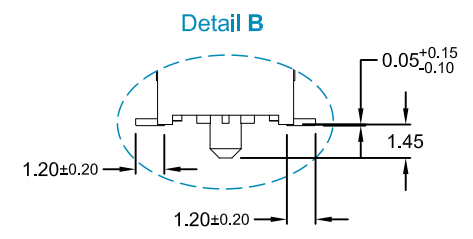
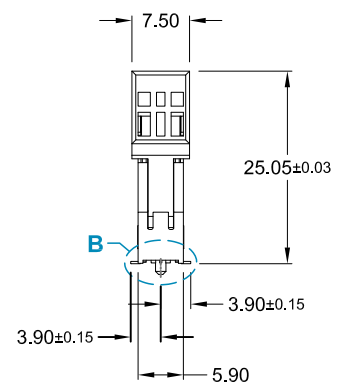
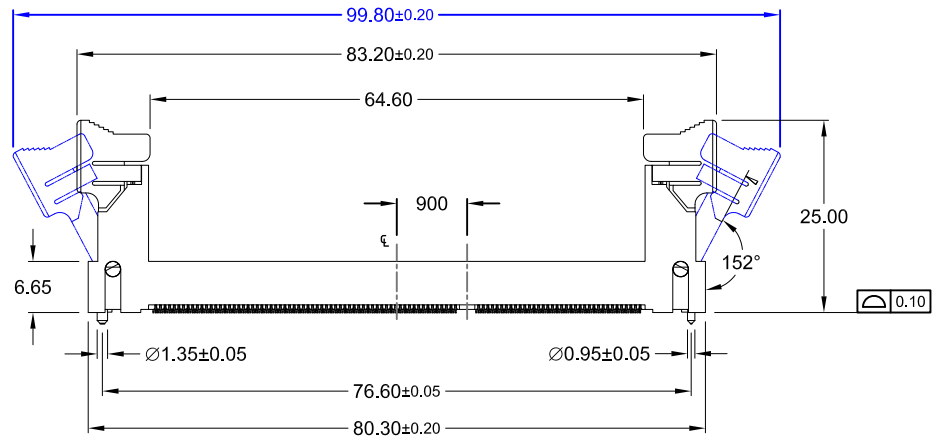


REV.	DESCRIPTION	DATE	DRAWN
A	New	12.12.2013	Ryan
B	general update	10.05.2019	Ronny



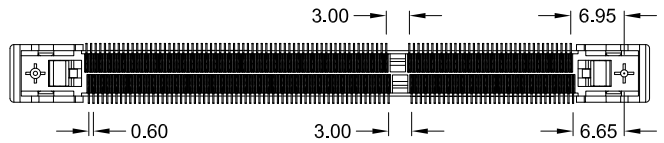
Order Code
DMD-204-VLF9-55



Material
Contact: Phosphor Bronze
Plating: Au on solder, Au flash on contact area
Latch: PA9T (white) UL 94V-0
Insulator: LCP (black) UL 94V-0

Specifications
Electrical
Current rating: 0.5A
Insulation resistance: 1000MΩ min.
Contact resistance: 35mΩ max.
Voltage rating: 35V AC / contact
Withstanding voltage: 500V AC

Operating temperature: -40°C to +80°C
Processing temperature: +250°C ±0/-5°C for 20~40 seconds
Packing: Tray



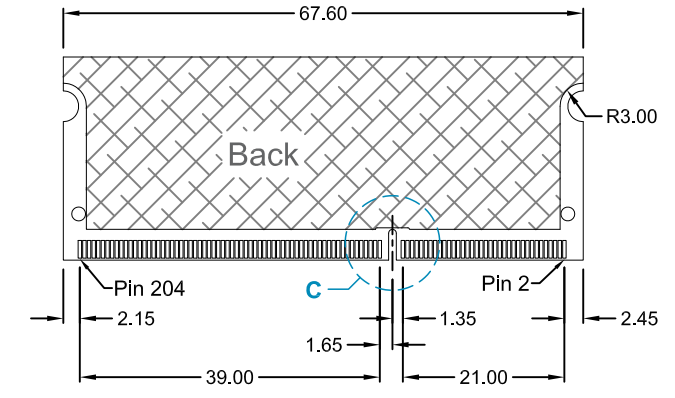
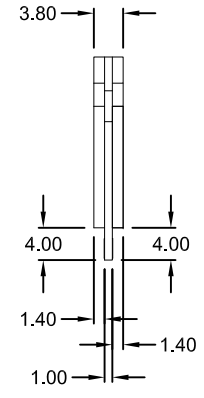
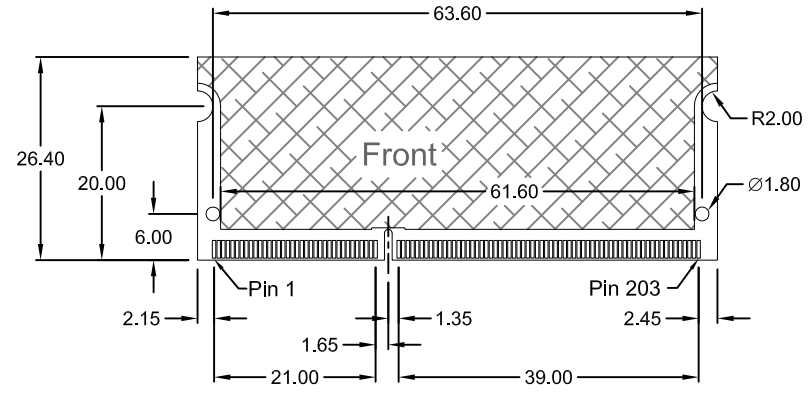
E-tec 2019 © - all rights reserved



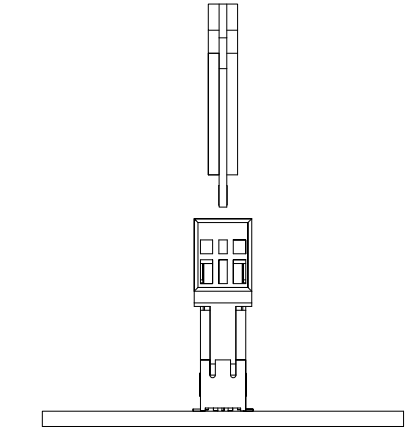
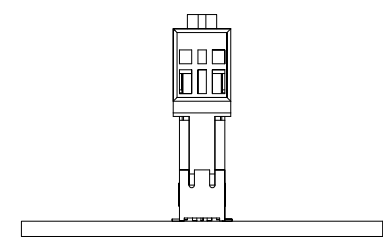
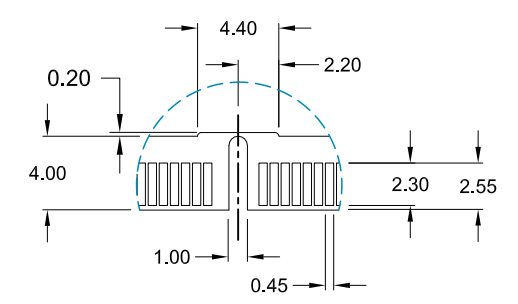
UNIT mm	GENERAL TOLERANCE		DRAWN Ryan	DATE 12.12.2013	DWG. NO. DMD-204-VLF9	SHEET 1/3	
	X.° ±	X. ±					
	.X° ±	.X ±					
	.XX° ±	.XX ± 0.10					
SCALE Free	.XXX° ±	.XXX ±	CHECK Hogi	DATE 10.05.2019	SERIES NO. DMD-204-VLF9-xx	REV. B	
	APPROVE Hogi						

DDR3 204 Contact "Socket"
-SMT- Vertical
1.5V "Standard Type"

REV.	DESCRIPTION	DATE	DRAWN
A	New	12.12.2013	Ryan
B	general update	10.05.2019	Ronny



Detail C



E-tec 2019 © - all rights reserved



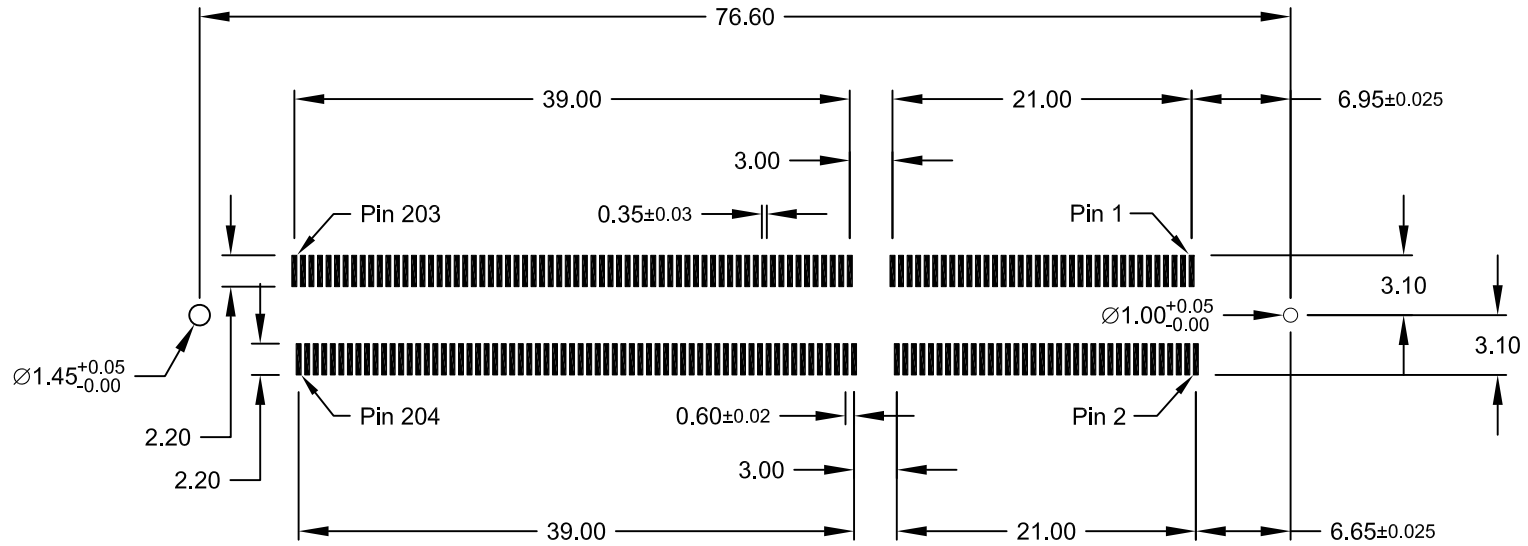
UNIT	mm	GENERAL TOLERANCE	
SCALE	Free	X.° ±	X. ±
		.X° ±	.X ± 0.10
		.XX° ±	.XX ±
		.XXX° ±	.XXX ±

DRAWN	Ryan	DATE	12.12.2013
CHECK	Hogi	DATE	10.05.2019
APPROVE	Hogi	DATE	10.05.2019

DWG. NO.	DMD-204-VLF9	SHEET 2/3
SERIES NO.	DMD-204-VLF9-xx	REV. B

DDR3 204 Contact "Modul"
for 1.5V "Standard Type" Socket
DMD-204-VLF9-xx

REV.	DESCRIPTION	DATE	DRAWN
A	New	12.12.2013	Ryan
B	general update	10.05.2019	Ronny



Recommended PCB Layout Top View
(Tolerance ±0.05)

E-tec 2019 © - all rights reserved



UNIT	mm	GENERAL TOLERANCE	
SCALE	Free	X.° ±	X. ±
		.X° ±	.X ± 0.05
		.XX° ±	.XX ±
		.XXX° ±	.XXX ±

DRAWN	Ryan	DATE	12.12.2013
CHECK	Hogi	DATE	10.05.2019
APPROVE	Hogi	DATE	10.05.2019

DWG. NO.	DMD-204-VLF9	SHEET 3/3
SERIES NO.	DMD-204-VLF9-xx	REV. B

DDR3 204 Contact "Layout"
for **1.5V "Standard Type" Socket**
DMD-204-VLF9-xx