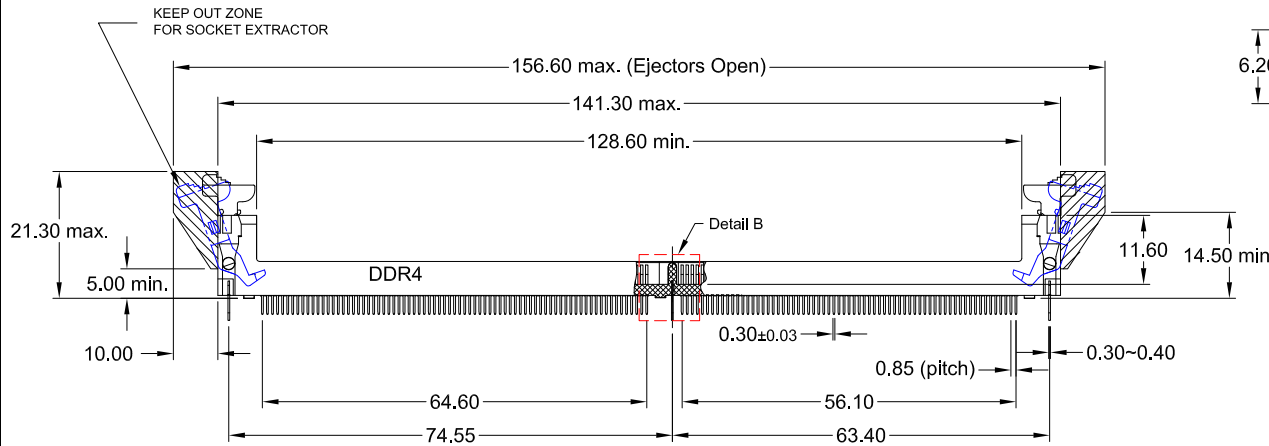
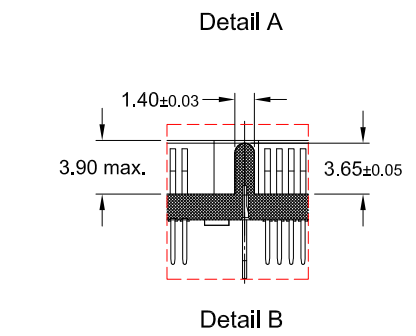
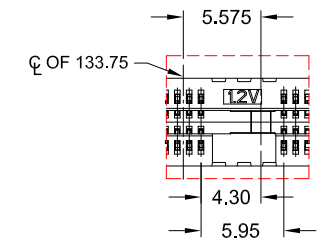
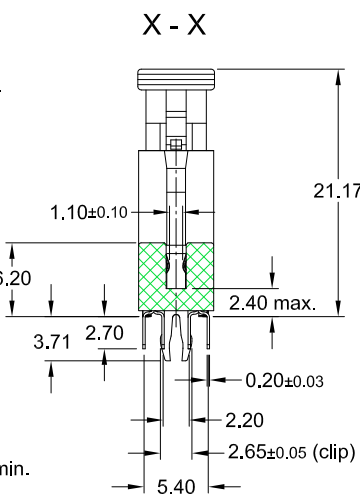
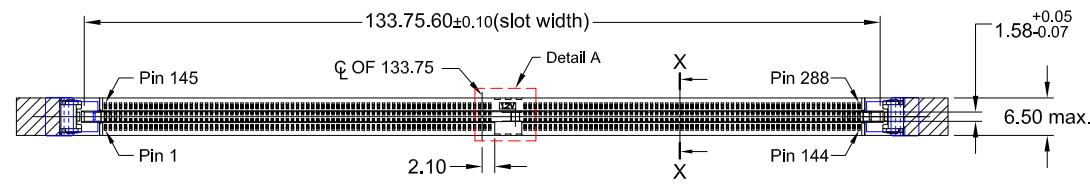


REV.	DESCRIPTION	DATE	DRAWN
A	NEW	19.09.2014	Ronny
B	DIM 142.00 => 141.30; 20.80 --> 21.17; delete color option "5"	03.04.2018	RH



Order Code
DR1-288-VF49-9x/8Lx

Specifications

Electrical
 Current rating: 0,75A
 Insulation resistance: 1MΩ min. (500V DC)
 Withstanding voltage: 500V AC
 Current voltage: 29V AC (RMS)/DC
 Contact resistance: 10mΩ max.

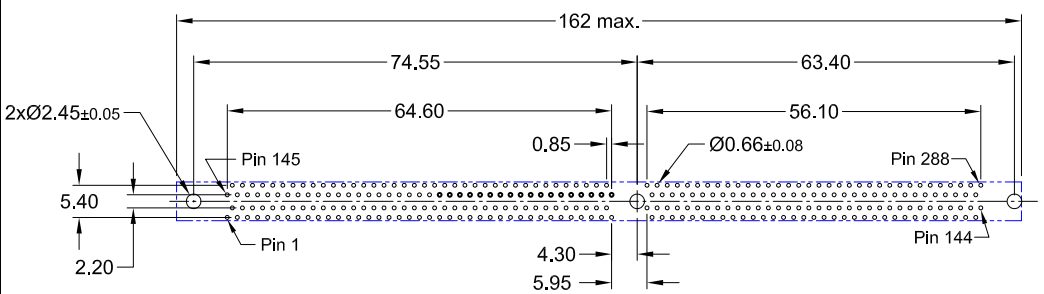
Material
 Contact: Copper Alloy
 Plating: see plating code
 Insulator Body: PA66 (Black) UL 94V-0
 Ejector: PA66 (White) UL 94V-0

Operating temperature: -55°C to +85°C

Mechanical Requirements
 Insertion force Module (t=1.50): 107N max.
 Durability: 25 cycles

Color Option
black standard (no suffix)
6 = blue body & ejector

Plating
95 = Tin/Gold flash
96 = Tin/10µ" Gold
97 = Tin/15µ" Gold
98 = Tin/30µ" Gold



Recommended PCB Layout Top View
(t=1.57mm)



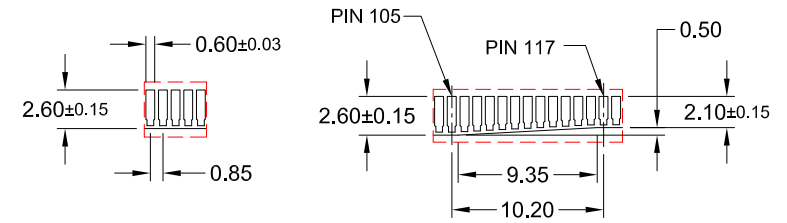
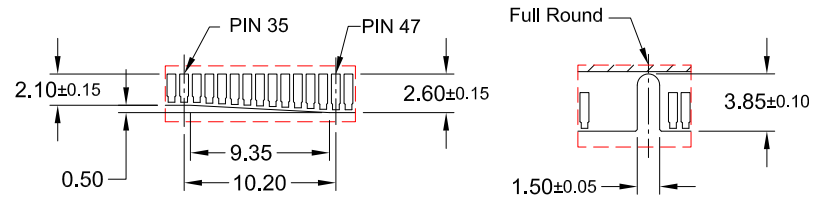
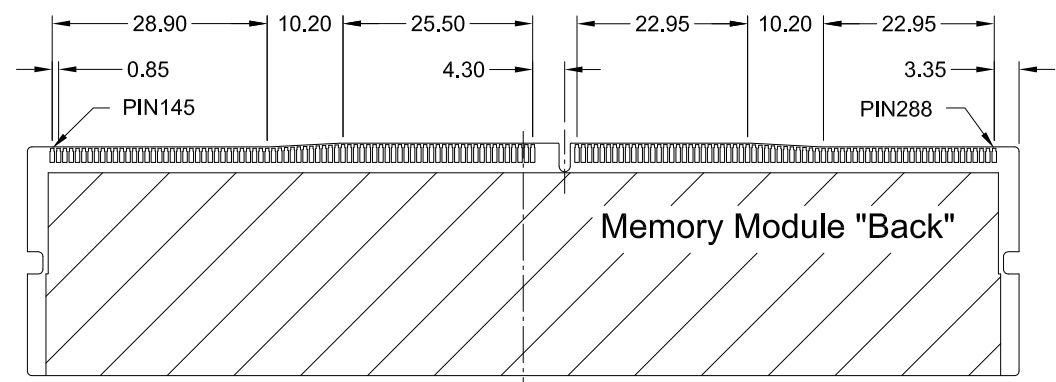
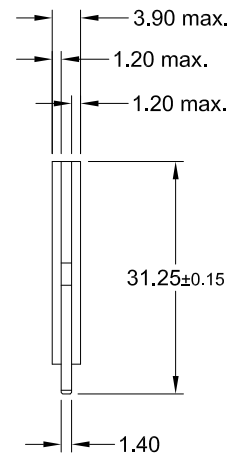
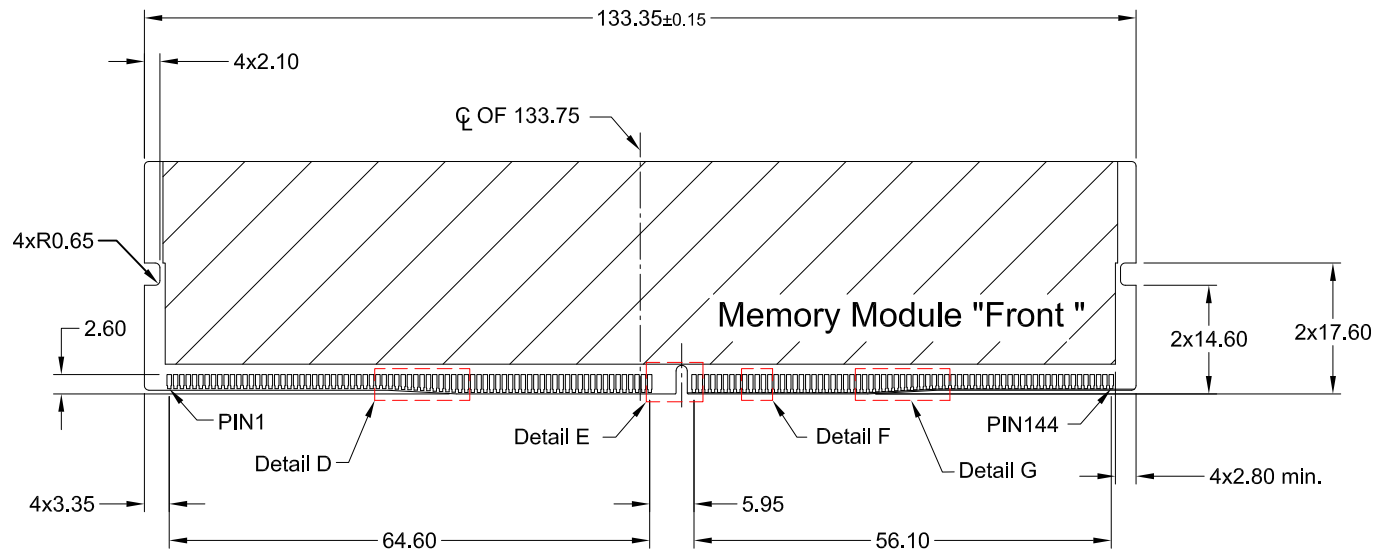
E-tec 2018 - all rights reserved



UNIT	mm	GENERAL TOLERANCE		DRAWN	DATE	DWG. NO.	SHEET 1/2
SCALE	Free	X.° ±	X. ±	Ronny	19.09.2014	DR1-288-VF49/8L	REV. B
		.X° ±	.X ± 0.35	CHECK	03.04.2018	SERIES NO.	
		.XX° ±	.XX ± 0.25	APPROVE	03.04.2018	DR1-288-VF49-9x/8Lx	
		Angle ± 3°	.XXX ± 0.15	Hogi			

DDR4 DIMM Socket
-THT- 288-Contact 1.2V Type
vertical - Ejector Type

REV.	DESCRIPTION	DATE	DRAWN
A	NEW	22.09.2014	Ronny
B	general update	03.04.2018	RH



Recommended Memory Module Layout

E-tec 2018 - all rights reserved



UNIT mm	GENERAL TOLERANCE		DRAWN Ronny	DATE 22.09.2014	DWG. NO. DR1-288-VF49/8L	SHEET 2/2	
	SCALE Free	X.° ±	X. ±	CHECK Hogi	DATE 03.04.2018	REV. B	
		.XX° ±	.XX ± 0.25	APPROVE Hogi	DATE 03.04.2018	SERIES NO. DR1-288-VF49-9x/8Lx	
		Angle ± 3°	.XXX ± 0.15				

Module Detail
DDR4 DIMM
 288 Contact **1.2V Type**