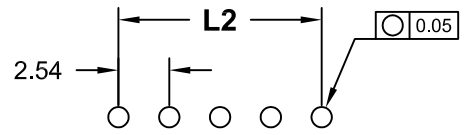
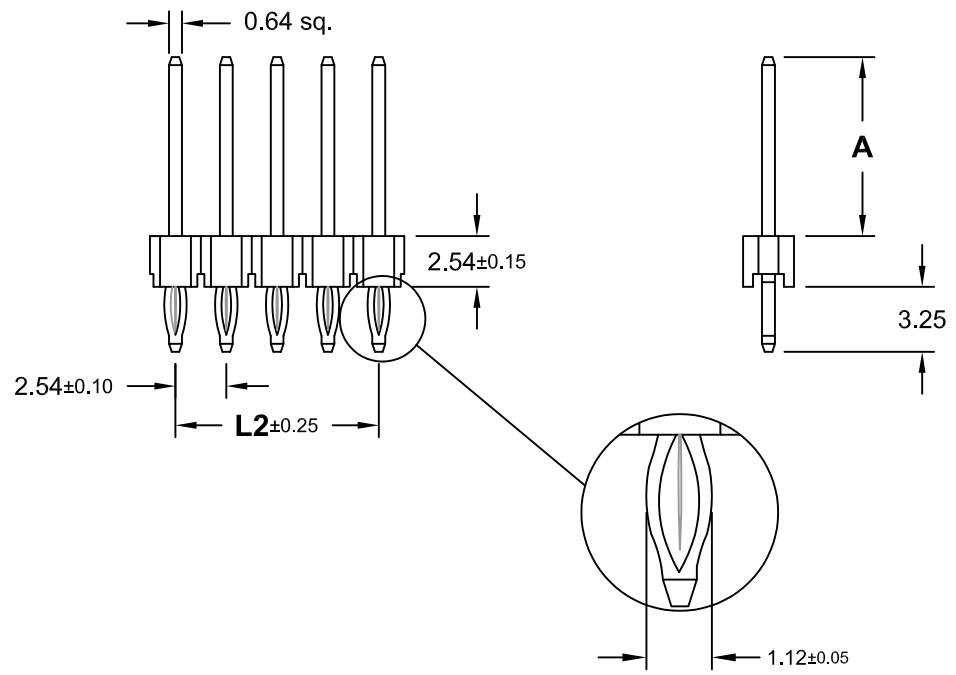
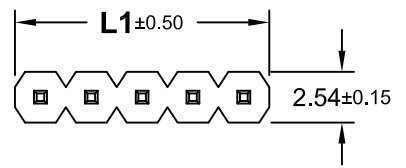


No. of Pins	Dimension mm	
	L1	L2
004	5,08	2,54
006	7,62	5,08
008	10,16	7,62
010	12,70	10,16
012	15,24	12,70
014	17,78	15,24
016	20,32	17,78
018	22,86	20,32
020	25,40	22,86
022	27,94	25,40
024	30,48	27,94
026	33,02	30,48
028	35,56	33,02
030	38,10	35,56
032	40,64	38,10
034	43,18	40,64
036	45,72	43,18
038	48,26	45,72
040	50,80	48,26
042	53,34	50,80
044	55,88	53,34
046	58,42	55,88
048	60,96	58,42
050	63,50	60,96
052	66,04	63,50
054	68,58	66,04
056	71,12	68,58
058	73,66	71,12
060	76,20	73,66
062	78,74	76,20
064	81,28	78,74
066	83,82	81,28
068	86,36	83,82
070	88,90	86,36
072	91,44	88,90
074	93,98	91,44
076	96,52	93,98
078	99,06	96,52
080	101,60	99,06

REV.	DESCRIPTION	DATE	DRAWN
A	New	10.12.2013	Ronny
B	correct code -SP -> -SHP; general update	29.01.2019	RH
C	add Pin code Box	25.03.2019	RH



Recommended PCB Layout Top View
(Tolerance ±0.05)

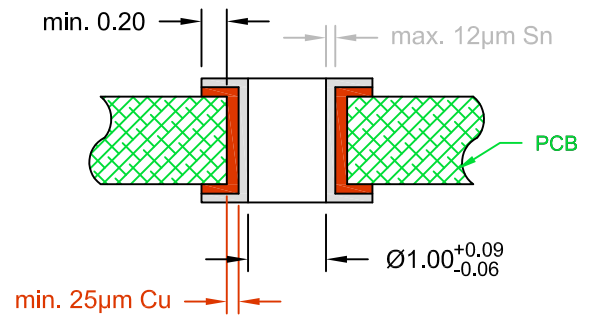
Order Code
SL1-xxx-SHPxxx/xx-xx

No. of contact
004 to 080
see table

Plating
55 = Gold flash (Standard)
95 = Tin/Gold flash
99 = Tin
others on request

Dim."A" (mm)	Pin Code
6,30	121/02
24,00	298/01
other Dimension on request	

Recommended through hole Plating

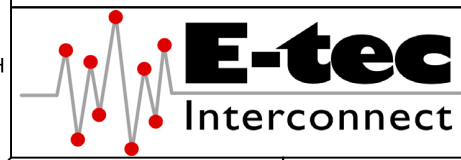


Specifications

Electrical
Current rating: 3A
Insulation resistance: 5000MΩ min.
Contact resistance: 20mΩ max.
Voltage rating: 230V AC max.
Withstanding voltage: 500V AC / Minute

Material
Contact: Brass
Plating: Gold flash or Tin plated
Insulator: PA6T (black) UL 94V-0
Operating temperature: -40°C to +105°C

E-tec 2019 © - all rights reserved



UNIT	GENERAL TOLERANCE		DRAWN	DATE	DWG. NO.	SHEET 1/1
mm	X.° ±	X. ±	Ronny	29.01.2019	SL1-SHP	REV. C
SCALE	.X° ±	.X ±	Hogi	25.03.2019	SERIES NO.	
	.XX° ±	.XX ± 0.25	APPROVE	DATE	SL1-xxx-SHPxxx/xx-xx	
	.XXX° ±	.XXX ±	Hogi	25.03.2019		

"Press Fit" Pin Header
2.54mm pitch
Single Row -straight-