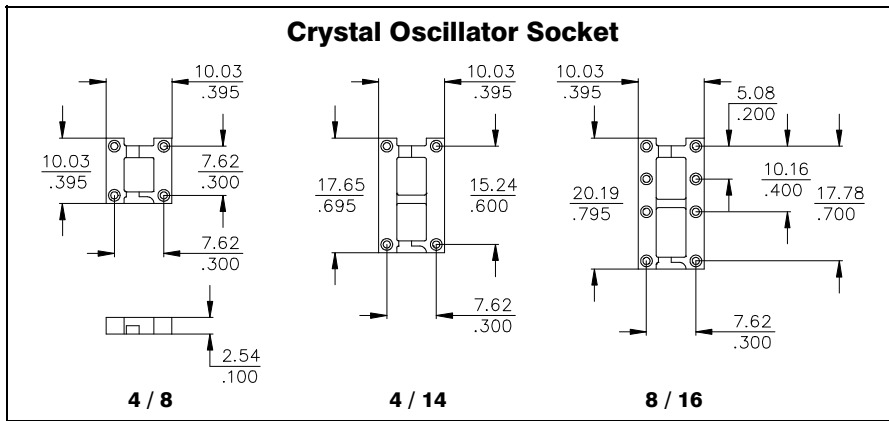
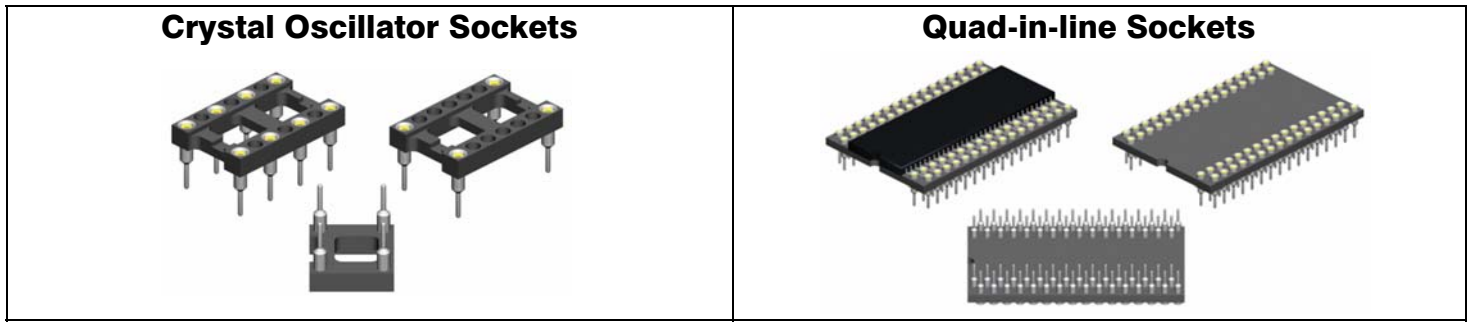
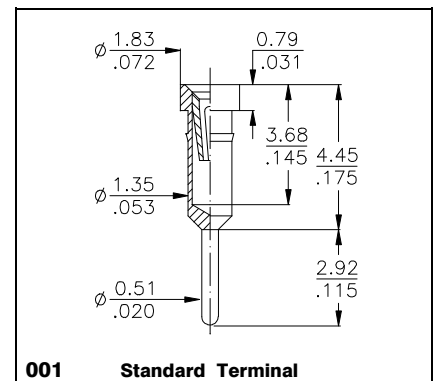
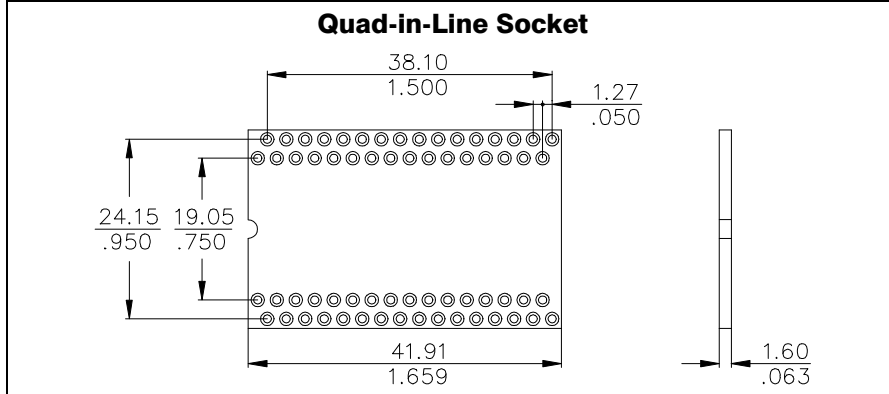


Crystal Oscillator and Quad-in-Line Sockets



Crystal Oscillator Sockets

Pin	Ordering Code
4 / 8	COS-084-S001-95
4 / 14	COS-144-S001-95
8 / 16	COS-168-S001-95



Quad-in-line Socket

Pin	Ordering Code
64	QIL-764-S001-95

for Rockwell & NEC Chip

Other pin-outs available on request.

Specifications			
Mechanical data	Insertion force	1,80 N for COS & 0.70N for QIL	Electrical data
	Extraction force	0,90 N for COS & 0.25N for QIL	
Material	Insulator (RoHS compliant)	COS Series: hi temp plastic UL 94 V-0	Current rating
	Terminal (RoHS compliant)	QIL Series: PBT plastic UL 94 V-0	Contact capacitance at 1MHz
	Contact (RoHS compliant)	CuZn	Insulation resistance at 500V DC
		BeCu	Breakdown voltage at 60 Hz
			Contact resistance
			Operating temperature
			Pitch

More information, for example about testresult please ref. to page 49 or contact E-tec.

How to order

XXX - xxx - S001 - 95

