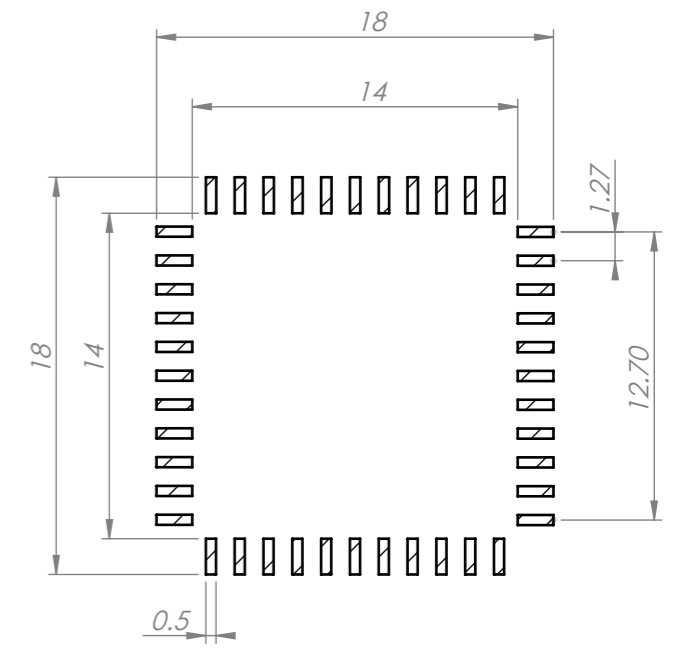
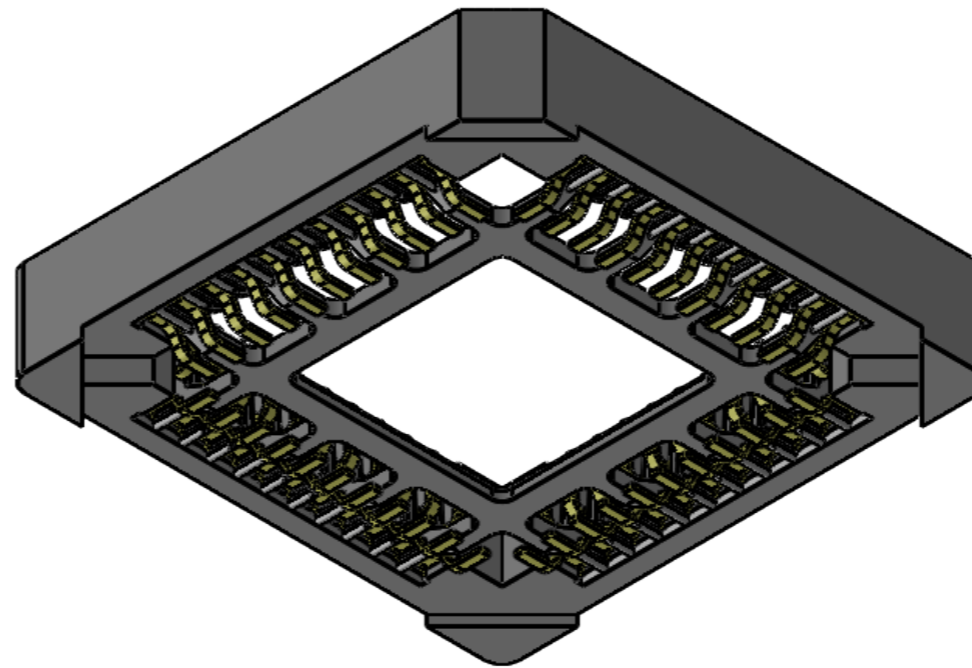
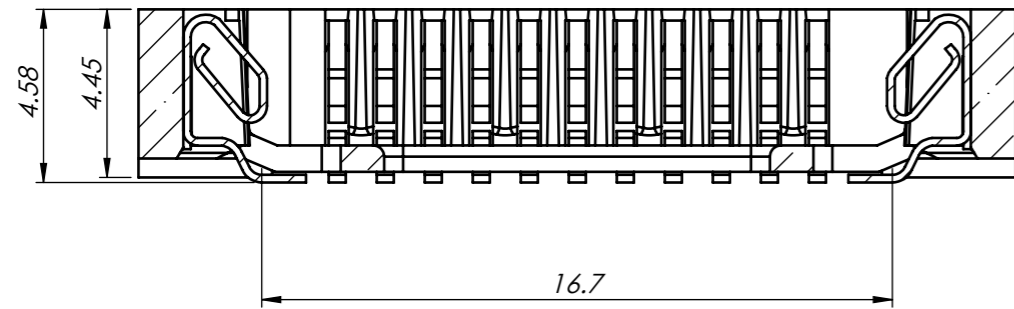
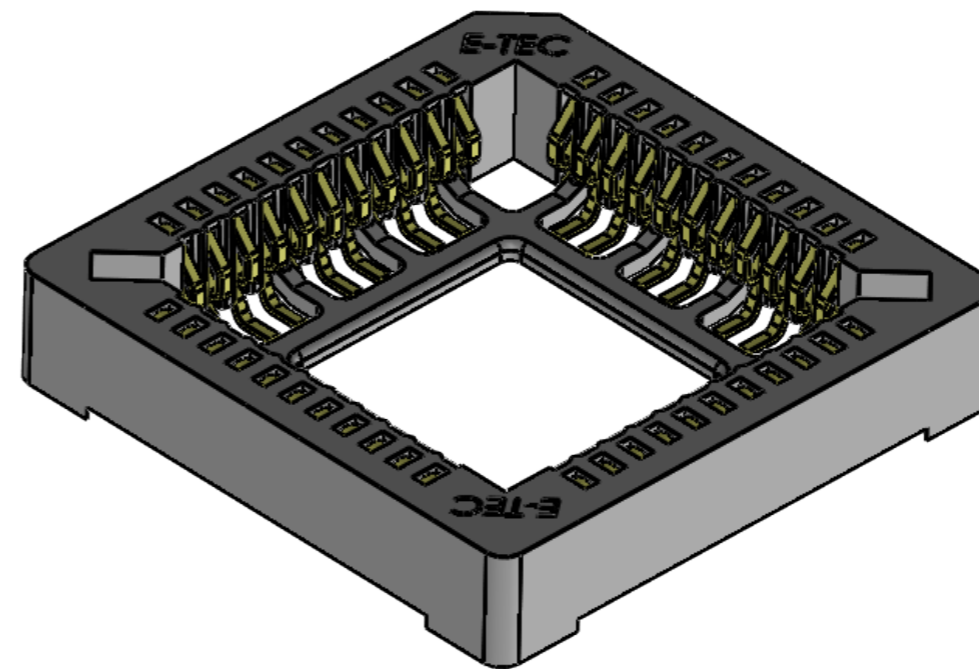
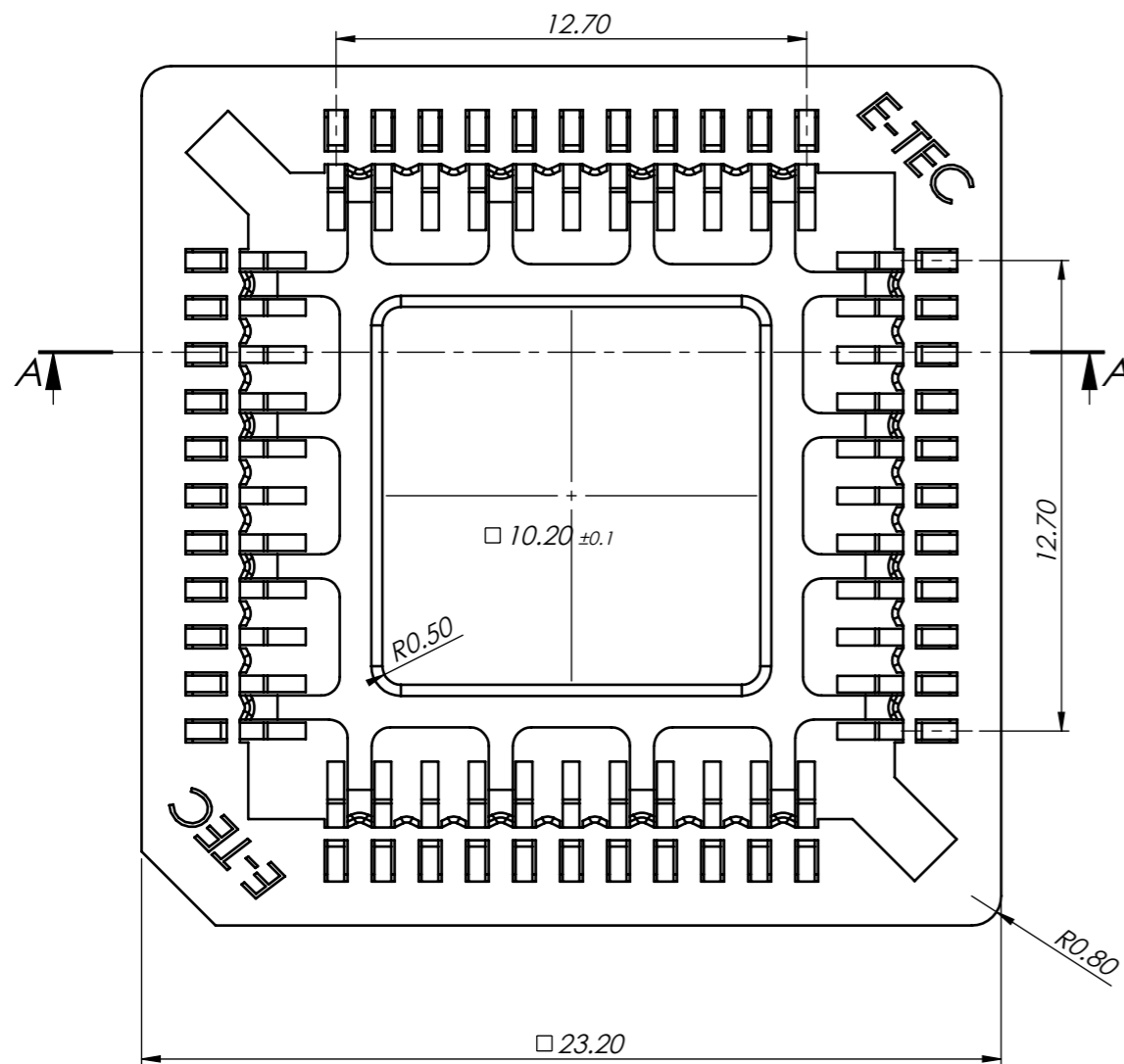


COUPE A-A



PCB LAYOUT  
TOP VIEW

Processing temperature 250°C for 20 to 40sec



Housing : Stanyl PA46

Clips : Phosphor Bronze - plating Tin over Nickel

<p><b>A3H</b> Scale 5:1</p> <p>UNLESS OTHERWISE SPECIFIED: DIMENSIONS ARE IN MILLIMETERS GENERAL TOLERANCES ISO 2768m</p> <p>patented</p>	<p>REV 3b</p>	<p>modif:</p>	<p><b>E-tec</b> Interconnect</p> <p>Remark:</p>	
	<p>NAME DATE</p>	<p>DATE</p>		<p>"E-tec order code"</p> <p><b>PLU-044-H901-99</b></p>
	<p>DRAWN MESSA</p>	<p>DATE 13.08.2018</p>		<p>"Production code"</p>
	<p>REV'D sme</p>	<p>DATE 13.08.2019</p>		
<p>CHK'D -</p>				
<p>APPV'D sme</p>	<p>DATE 13.08.2019</p>			

