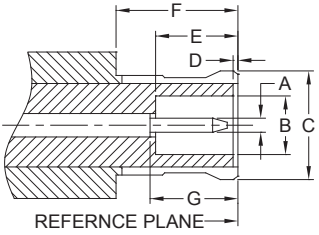


RF Connectors

MCX Series

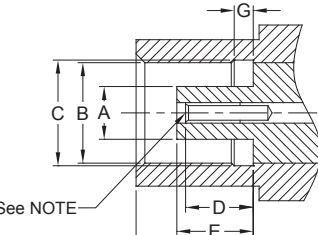


These MCX miniature snap-on connectors with 50Ω impedance operate in a frequency range up to 6 GHz. The MCX series is an ideal solution for GPS, wireless communications and test measurement applications.



PLUG

Dimension	PLUG	
	Millimeters	
	Minimum	Maximum
A	0.48	0.53
B	2.00	2.07
C	3.66	3.76
D	0.00	0.30
E	2.81	3.20
F	4.16	--
G	2.81	3.20



JACK

Dimension	JACK	
	Millimeters	
	Minimum	Maximum
A	1.80	1.97
B	3.43	3.48
C	3.61	3.75
D	2.31	2.79
E	2.61	2.79
F	4.00	4.12
G	0.75	0.85

See NOTE

NOTE
In order to meet the VSWR and CR values as specified, the inner hole diameter needs to be mated with a 0.48/0.53mm dia. pin.

Electrical		
Impedance	50 Ω	
Frequency Range	0 - 6 GHz	
Working Voltage	335 V rms max.	
Dielectric Withstanding Voltage	1000 V rms min.	
VSWR	Straight	1.3 max.
	Right Angle	1.5 max.
Contact Resistance	Center Contact	5 mΩ max.
	Outer Contact	2.5 mΩ max.
Insulator Resistance	1000 MΩ min.	

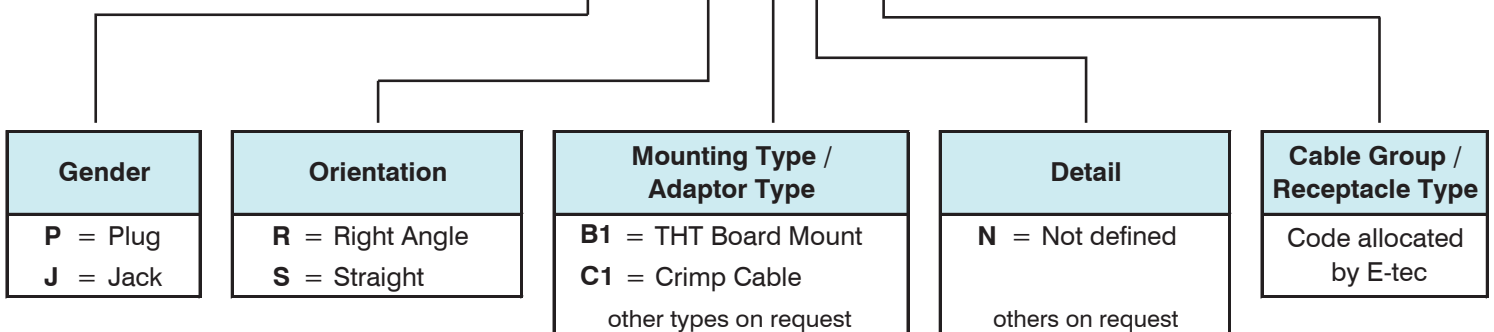
Material		
Parts Name	Material	Finish
Body, Metal Parts	Brass per QQ-B-626	Gold 0.07μm (3 μ")
Center Contacts	Male: Brass per QQ-B-626	Gold 0.75μm (30 μ")
	Female: Beryllium copper per QQ-C-530	Gold 0.75μm (30 μ")
Insulators	Teflon	None
Outer Contact of Plug	Beryllium copper per QQ-C-530	Gold 0.07μm (3 μ")
Crimp Ferrules	Annealed Brass	Gold 0.07μm (3 μ")

NOTE: Other materials and platings are available on request.

Mechanical & Environmental	
Engagement torque	15 N max.
Disengagement torque	20 N max.
Contact Retention	18 N min.
Durability(Mating)	500 cycles min. (for Beryllium copper female contact only)
Temperature Range	-65°C to +155°C
Vibration	3 cycles, 3 opposite directions, 10-150 Hz, 10-60 Hz:0.75mm/.03", 60-150 Hz 10G
Temperature Shock	MIL-STD-202 Method 107
Humidity	MIL-STD-202 Method 103, Condition. B.
Mechanical Shock	MIL-STD-202 Method 213, Condition. B.

How to order

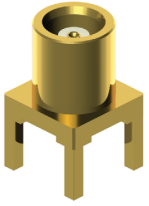
RF X - MC X - XX X 5 xx - 58



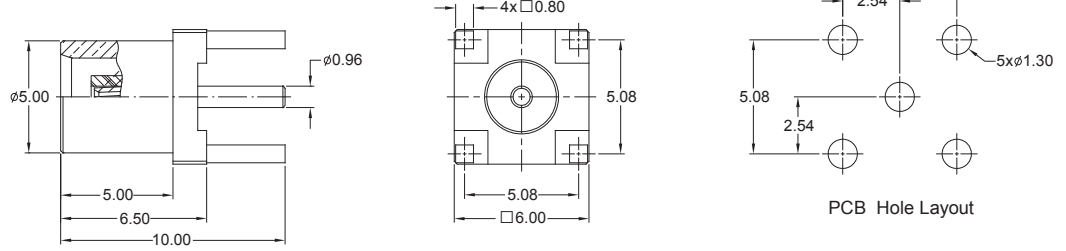
RF Connectors MCX Series



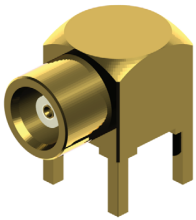
STRAIGHT THT JACK



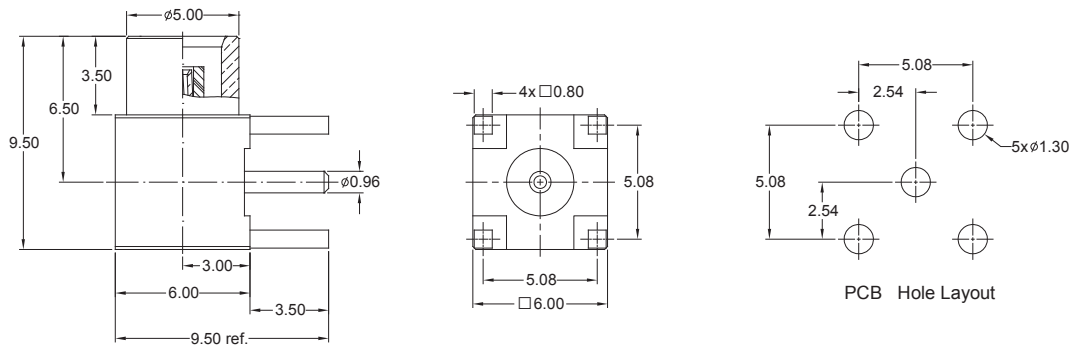
Order Code
RFJ-MCS-B1N592-58



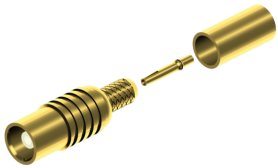
R/A THT JACK



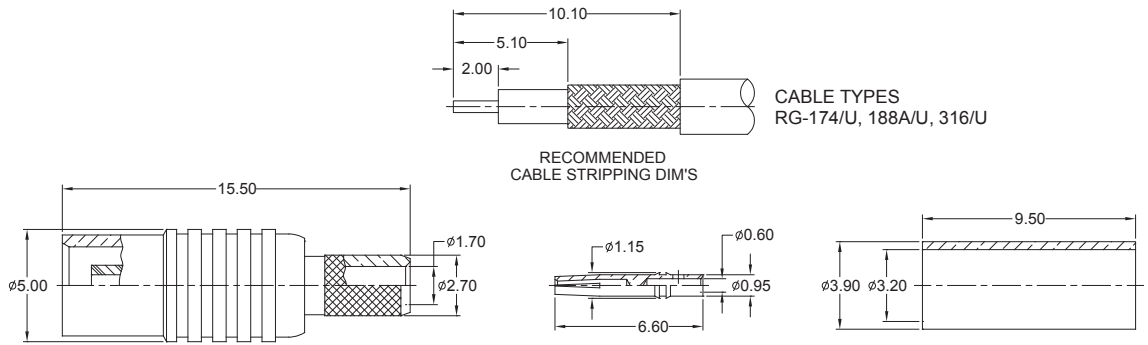
Order Code
RFJ-MCR-B1N592-58



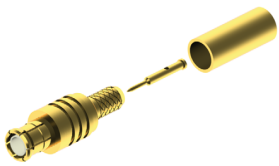
CRIMP JACK



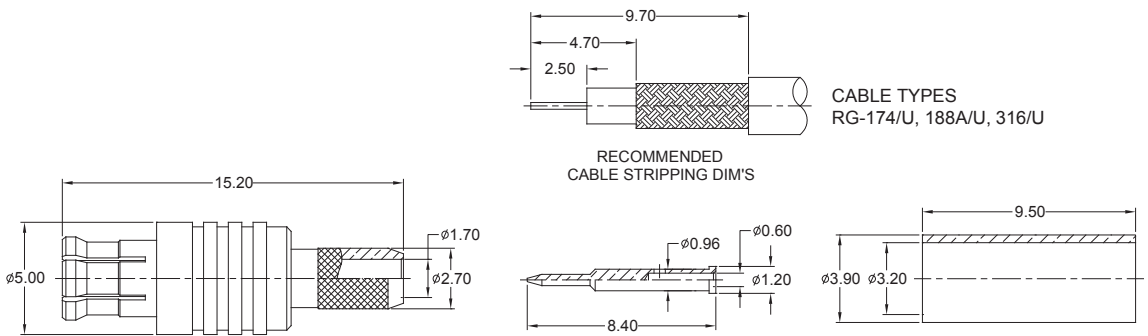
Order Code
RFJ-MCS-C1N502-58



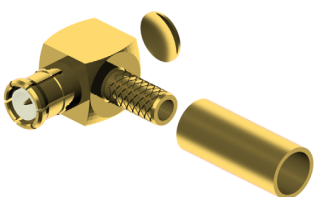
CRIMP PLUG



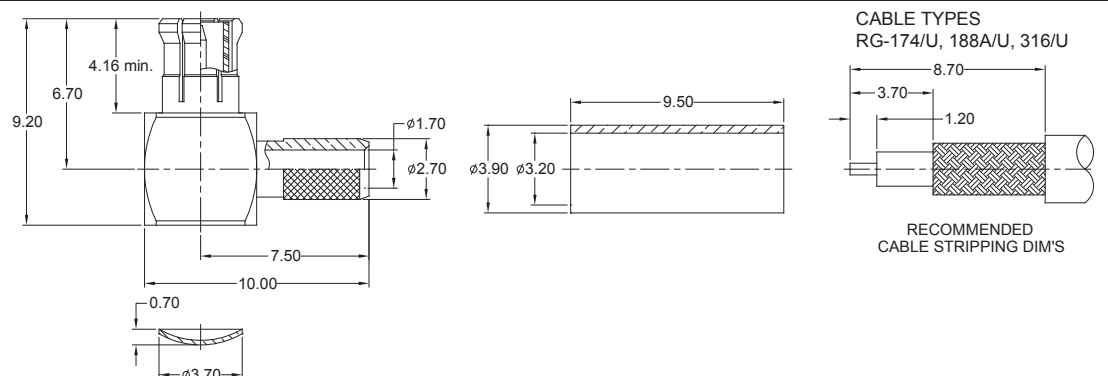
Order Code
RFP-MCS-C1N502-58



R/A CRIMP PLUG



Order Code
RFP-MCR-C1N502-58



Other MCX types available on request