

RF Connectors

SMA Reverse Series



SMA Reverse connectors with 50Ω impedance are designed for using in spread spectrum wireless applications which a non-standard interface is needed.

Dimension	PLUG	
	Millimeters	
	Minimum	Maximum
A	2.54	3.43
B	1.24	1.30
C	4.53	4.59
D	6.35	6.73
E	0.00	0.25
F	0.00	0.25
G	2.92	--

NOTE
In order to meet the VSWR and CR values as specified, the inner hole diameter needs to be mated with a 0.9/0.94mm dia. pin.

Dimension	JACK	
	Millimeters	
	Minimum	Maximum
A	5.54	--
B	4.32	--
C	0.38	1.14
D	5.28	5.49
E	4.60	4.67
F	0.90	0.94
G	0.00	0.38
H	1.24	1.30
J	0.00	0.25
K	0.00	0.25
L	1.88	1.98

Electrical	
Impedance	50 Ω
Frequency Range	0 - 12.4 GHz on Flexible cable 0 - 18 GHz on Semi-rigid cable
Working Voltage	RG-178: 170 V rms max. RG-316, .085": 250 V rms max. RG-142, .141": 335 V rms max.
Dielectric Withstanding Voltage	RG-178: 500 V rms min. RG-316, .085": 750 V rms min. RG-142, .141": 1000 V rms min.
VSWR	Straight: 1.3 max. Right Angle: 1.5 max.
Contact Resistance	Center Contact: 6 mΩ max. Outer Contact: 2 mΩ max.
Insulator Resistance	5000 MΩ min.

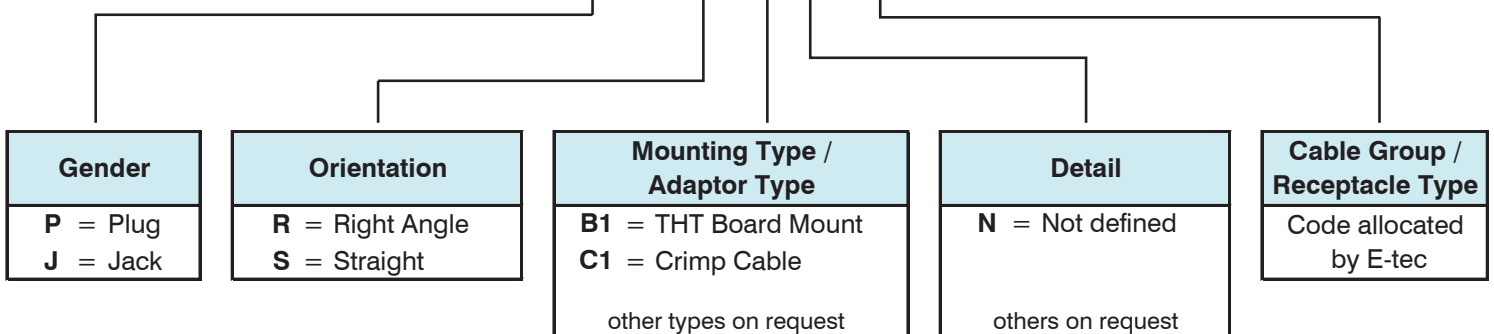
Material		
Parts Name	Material	Finish
Body, Metal Parts	Brass per QQ-B-626	Gold 0.07μm (3 μ")
Center Contacts	Male: Brass per QQ-B-626	Gold 0.75μm (30 μ")
	Female: Beryllium copper per QQ-C-530	Gold 0.75μm (30 μ")
Insulators	Teflon	None
Crimp Ferrules	Annealed Brass	Gold 0.07μm (3 μ")
Crimp Gaskets	Silicone rubber	None

NOTE: Other materials and platings are available on request.

Mechanical & Environmental	
Engagement Force	22 cNm max.
Disengagement Force	22 cNm max.
Coupling Nut Retention	678 cNm min.
Coupling Proof Torque	170 cNm min.
Contact Retention	68 cNm min.
Durability(Mating)	500 cycles min.
Temperature Range	-65°C to +155°C
Vibration	MIL-STD-202 Method 204 Test Cond. B.
Salt Spray	MIL-STD-202 Method 101 Test Cond. B.
Thermal Shock	MIL-STD-202 Method 107 Test Cond. B.

How to order

RF X - SR X - XX X 5 xx - 58



RF Connectors

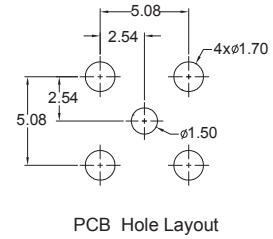
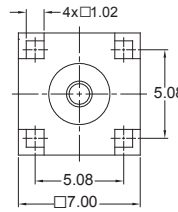
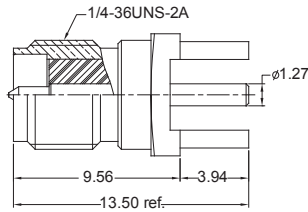
SMA Reverse Series



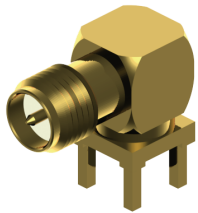
STRAIGHT THT JACK



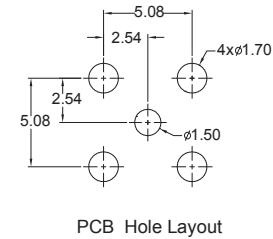
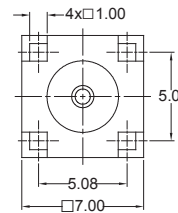
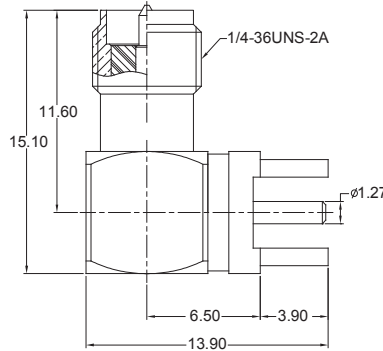
Order Code
RFJ-SRS-B1N592-58



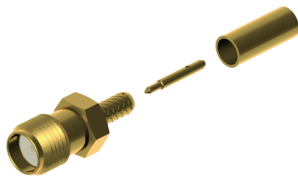
R/A THT JACK



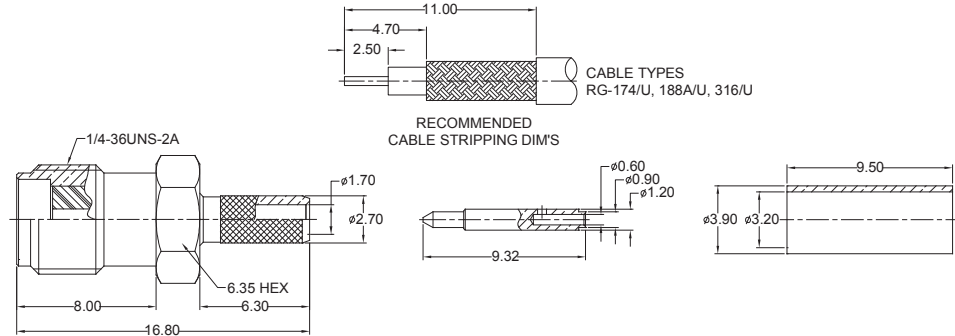
Order Code
RFJ-SRR-B1N592-58



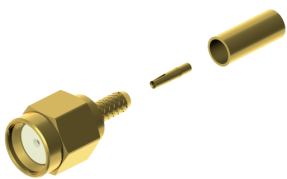
CRIMP JACK



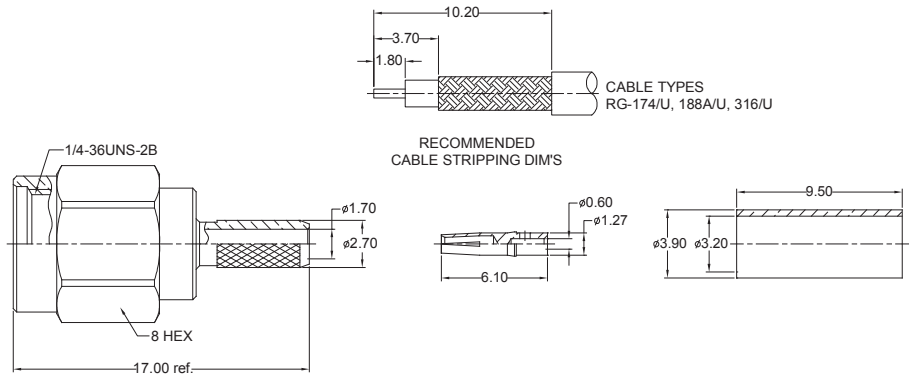
Order Code
RFJ-SRS-C1N502-58



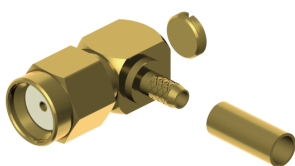
CRIMP PLUG



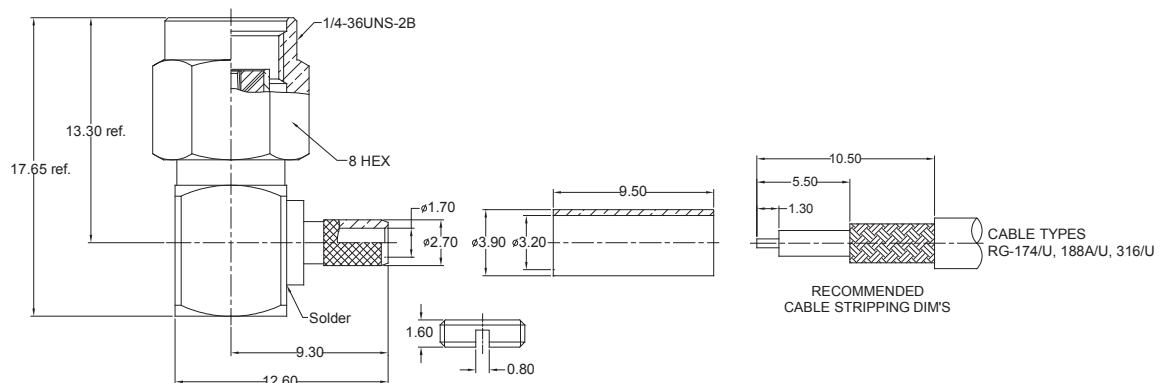
Order Code
RFP-SRS-C1N502-58



R/A CRIMP PLUG



Order Code
RFP-SRR-C1N502-58



Other SMA Reverse types available on request